



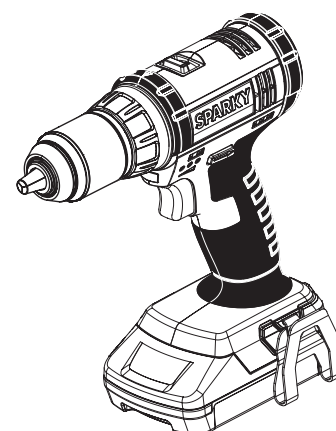
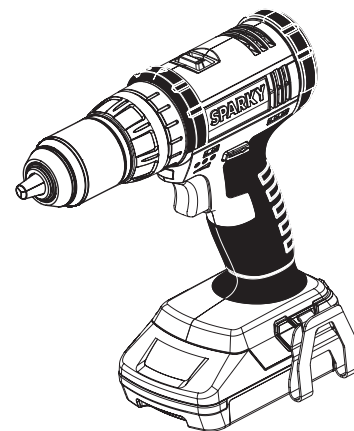
POWER
TOOLS



SPARKY

HD PROFESSIONAL

(EN)	CORDLESS DRILL / DRIVER	1 – 8
	Original instructions	
(DE)	AKKU-BOHRSCRAUBER	9 – 17
	Originalbetriebsanleitung	
(FR)	PERCEUSE / VISSEUSE SANS FIL	18 – 26
	Notice originale	
(IT)	AVVITATORE / TRAPANO A BATTERIA	27 – 35
	Istruzioni originali	
(ES)	TALADRO ATORNILLADOR A BATERÍA	36 – 44
	Instrucciones de uso originales	
(PT)	APARAFUSADORA SEM FIO	45 – 53
	Instrução original para o uso	
(PL)	WKRĘTARKA AKUMULATOROWA	54 – 62
	Instrukcja oryginalna	
(RU)	АККУМУЛЯТОРНАЯ ДРЕЛЬ / ШУРУПОВЕРТ	63 – 72
	Оригинальная инструкция по эксплуатации	
(UK)	АКУМУЛЯТОРНА ДРИЛЬ / ШУРУПОВЕРТ	73 – 81
	Оригінальна інструкція з експлуатації	
(BG)	АКУМУЛЯТОРНА БОРМАШИНА / ВИНТОВЕРТ	82 – 91
	Оригинална инструкция за използване	



HEAVYDUTY

18V Lithium-Ion

BR2 18Li-C HD

BUR2 18Li-C HD



(EN) DECLARATION OF CONFORMITY

We declare under our sole responsibility that the product, described under "Technical specifications", fulfils all the relevant provisions of the following directives and the harmonized standards:
2006/42/EC; 2014/30/EU; 2011/65/EU, EN 60745-1, EN 60745-2-1, EN 60745-2-2, EN 55014-1, EN 55014-2, EN 50581.
Technical file is stored at SPARKY ELTOS AD, Kubrat Str. 9, 5500 Lovech, Bulgaria.

(DE) KONFORMITÄTSERKLÄRUNG

Hiermit versichern wir unsere persönliche Haftung, dass Produkt im Abschnitt "Technische Daten" beschrieben" allen einschlägigen Bestimmungen folgender Richtlinien und entsprechender harmonisierter Standards entspricht:
2006/42/EC; 2014/30/EU; 2011/65/EU, EN 60745-1, EN 60745-2-1, EN 60745-2-2, EN 55014-1, EN 55014-2, EN 50581.
Die technischen Unterlagen werden bei SPARKY ELTOS AD, Kubrat Str.9, 5500 Lovech, Bulgarien, aufbewahrt.

(FR) DECLARATION DE CONFORMITE

Nous déclarons sous notre responsabilité que le produit décrit dans la rubrique "Données techniques" satisfait à l'ensemble des dispositions pertinentes des présentes directives, respectivement aux normes harmonisées:
2006/42/CE; 2014/30/UE; 2011/65/UE, EN 60745-1, EN 60745-2-1, EN 60745-2-2, EN 55014-1, EN 55014-2, EN 50581.
Le dossier technique est conservé par SPARKY ELTOS AD, 9, rue Kubrat, 5500 Lovech, Bulgarie.

(IT) DICHIARAZIONE DI CONFORMITÀ

Noi dichiariamo sotto la nostra personale responsabilità, che il prodotto, descritto nella sezione "Dati tecnici" è in conformità a tutte le disposizioni pertinenti della presente direttiva e norme armonizzate:
2006/42/CE; 2014/30/UE; 2011/65/UE, EN 60745-1, EN 60745-2-1, EN 60745-2-2, EN 55014-1, EN 55014-2, EN 50581.
Il fascicolo tecnico viene custodito presso la SPARKY ELTOS AD, 5500 Lovech, via Kubrat n. 9, Bulgaria.

(ES) DECLARACIÓN DE CONFORMIDAD

Declaramos bajo nuestra exclusiva responsabilidad que el producto, descrito en los "Datos técnicos", está conforme con todas las disposiciones aplicables de la presente directrices aplicables y las correspondientes normas armonizadas:
2006/42/CE; 2014/30/UE; 2011/65/UE, EN 60745-1, EN 60745-2-1, EN 60745-2-2, EN 55014-1, EN 55014-2, EN 50581.
El expediente técnico está archivado en SPARKY ELTOS AD, C/ Kubrat, 9, 5500 Lovech, Bulgaria.

(PT) DECLARAÇÃO DE CONFORMIDADE

Declaramos assumindo a nossa responsabilidade pessoal que o produto, descrito em los "Dados técnicos", está conforme com todas as disposições relevantes da presente directrizes aplicáveis e respectivos estandartes harmonizados:
2006/42/CE; 2014/30/UE; 2011/65/UE, EN 60745-1, EN 60745-2-1, EN 60745-2-2, EN 55014-1, EN 55014-2, EN 50581.
O expediente técnico fica guardado na SPARKY ELTOS AD, rua Kubrat, 9, 5500 Lovech, Bulgária.

(PL) DEKLARACJA ZGODNOŚCI

Niniejszym deklarujemy naszą osobistą odpowiedzialnością, że produkt, przedstawiony w rozdziale „Dane techniczne”, pełni wszystkie odpowiednie postanowienia następujących dyrektyw i harmonizowanych standardów:
2006/42/WE; 2014/30/UE; 2011/65/UE, EN 60745-1, EN 60745-2-1, EN 60745-2-2, EN 55014-1, EN 55014-2, EN 50581.
Teczka techniczna przechowywana jest w SPARKY ELTOS AD, Kubrat Str.9, 5500 Lovech, Bulgaria

(RU) ДЕКЛАРАЦИЯ О СООТВЕТСТВИИ

Мы заявляем со всей ответственностью, что продукт, описанный в разделе "Технические данные", полностью соответствует всем соответствующим требованиям действующих директив и гармонизированных стандартов:
2006/42/EC; 2014/30/EU; 2011/65/EU, EN 60745-1, EN 60745-2-1, EN 60745-2-2, EN 55014-1, EN 55014-2, EN 50581.
Техническое досье хранится в СПАРКИ ЕЛТОС АД, ул. Кубрат №9, 5500 Ловеч, Болгария.

(UK) ДЕКЛАРАЦІЯ ПРО ВІДПОВІДНІСТЬ

Ми заявляємо під свою власну відповідальність, що продукт, описаний у розділі "Технічні дані" відповідає всім діючим вимогам директив і гармонізованих стандартів:
2006/42/EC; 2014/30/EU; 2011/65/EU, EN 60745-1, EN 60745-2-1, EN 60745-2-2, EN 55014-1, EN 55014-2, EN 50581.
Технічне досьє зберігається в СПАРКИ ЕЛТОС АД, ул. Кубрат № 9, 5500 Ловеч, Болгарія.

(BG) ДЕКЛАРАЦИЯ ЗА СЪОТВЕТСТВИЕ

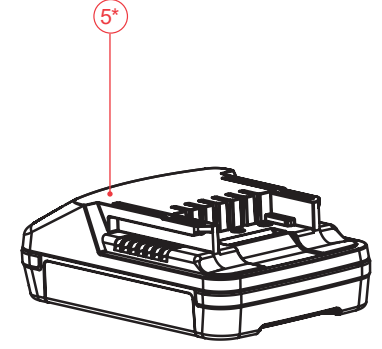
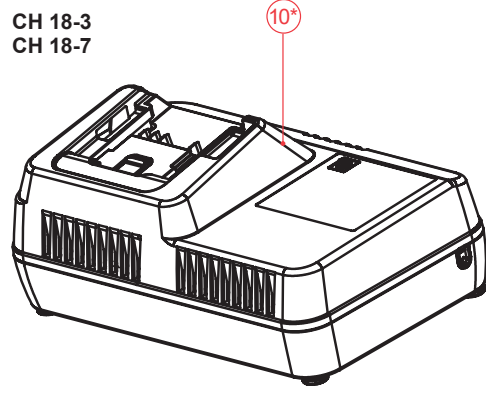
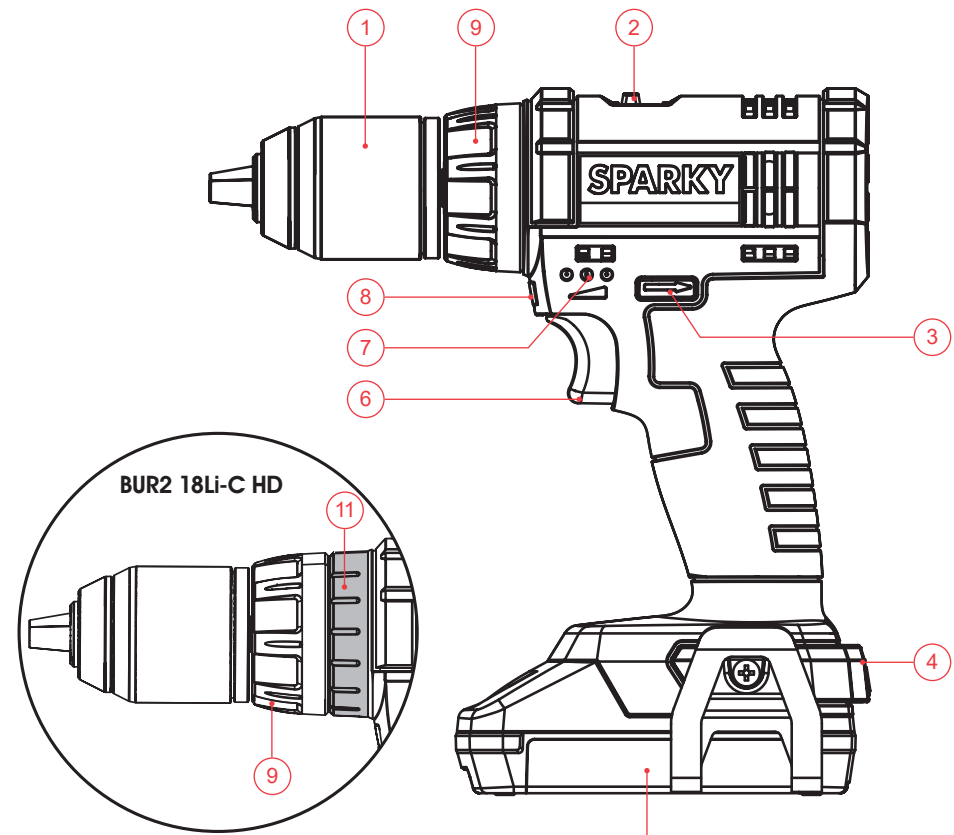
Ние декларираме на своя лична отговорност, че изделието, описано в раздел "Технически данни", отговаря на всички приложими изисквания на следните директиви и хармонизирани стандарти:
2006/42/EC; 2014/30/EU; 2011/65/EU, EN 60745-1, EN 60745-2-1, EN 60745-2-2, EN 55014-1, EN 55014-2, EN 50581.
Техническото досие се съхранява в СПАРКИ ЕЛТОС АД, ул. Кубрат №9, 5500 Ловеч, България.

Manufacturer
SPARKY Power Tools GmbH
Leipziger Str. 20
10117 Berlin, GERMANY

6 March 2017

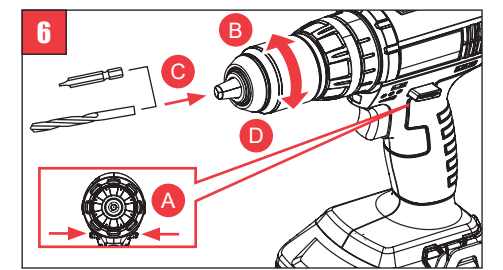
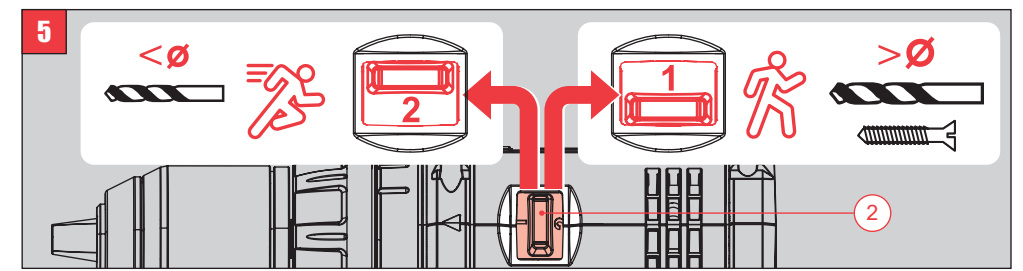
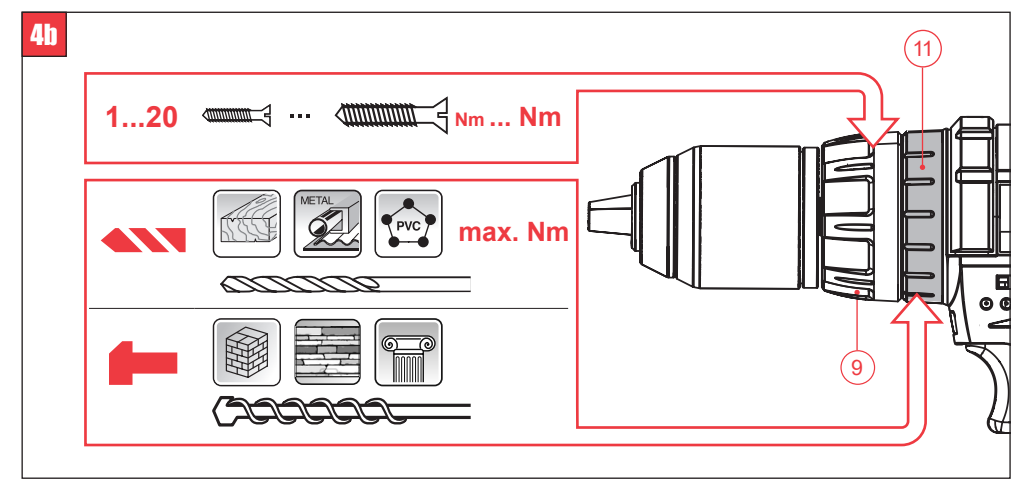
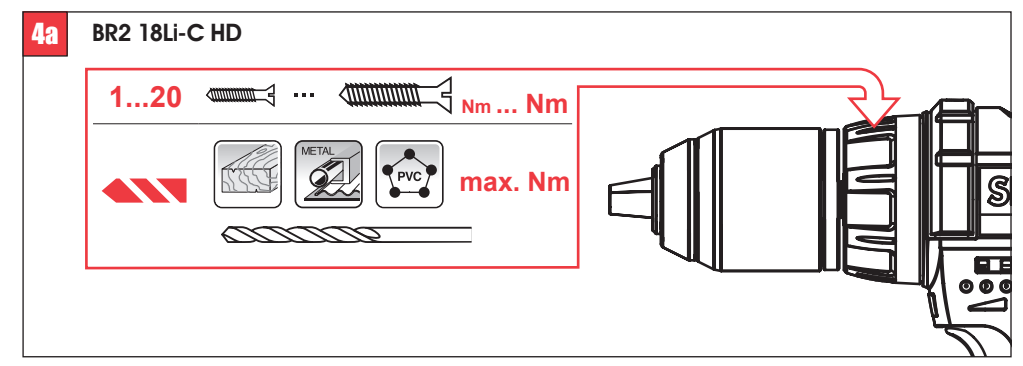
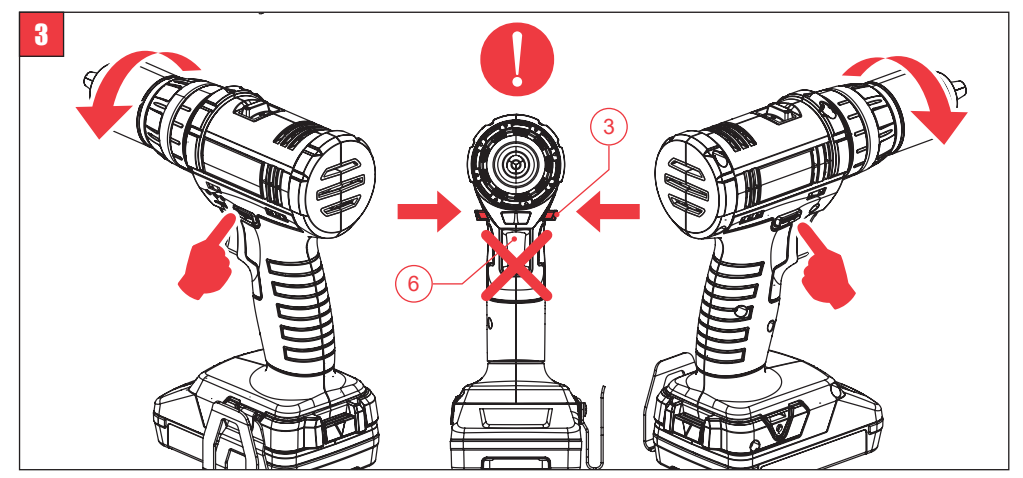
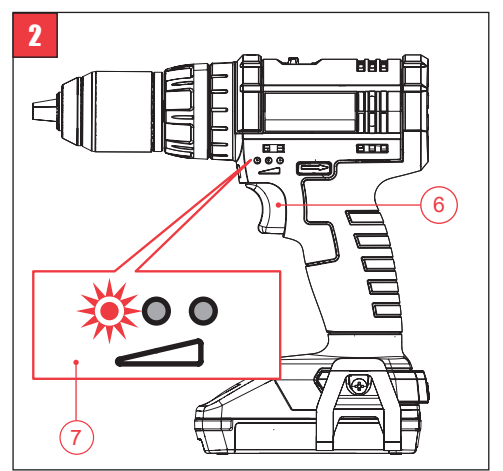
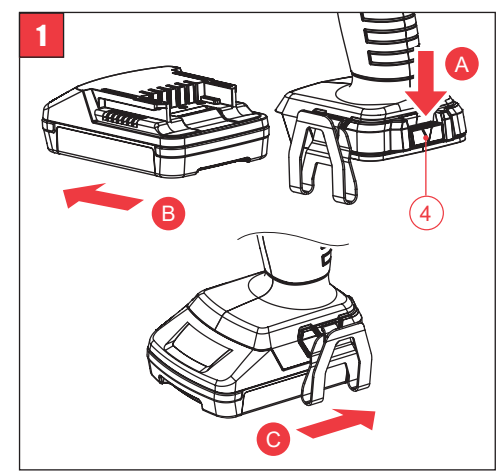
Signature of authorized person

A. Ivanov
Technical director of SPARKY ELTOS AD



BL 1820	18 V	2,0 Ah	36 Wh
BL 1840	18 V	4,0 Ah	72 Wh

A



Contents

Introduction	1
Technical specifications	3
General power tool safety warnings	4
Additional safety rules for cordless drills / drivers.....	5
Know your product	5
Operation	5
Maintenance	8
Recycling	8
Warranty.....	8

UNPACKING

Due to modern mass production techniques, it is unlikely that your power tool is faulty or that a part is missing. If you find anything wrong, do not operate the tool until the parts have been replaced or the fault has been rectified. Failure to do so could result in serious personal injury.

ASSEMBLY

This SPARKY cordless drill / driver BR2 18Li-C HD, BUR2 18Li-C HD is packed fully assembled.

Introduction

These power tools have been manufactured under stringent SPARKY Quality Standards. You will find your new tool easy and safe to operate, and, with proper care, it will give you many years of dependable service.



WARNING:

Carefully read through this entire Instruction Manual before using your new SPARKY power tool. Take special care to heed the **Warnings**. Your SPARKY power tool has many features that will make your job faster and easier. Safety, performance, and dependability have been given top priority in the development of this tool, making it easy to maintain and operate.



Do not dispose of electrical products together with household waste!

Waste electrical products should not be disposed of with household waste. Please recycle where facilities exist. Check with your local authority or retailer for recycling advice.



ENVIRONMENTAL PROTECTION

The machine, accessories and packaging should be sorted for environmental-friendly recycling. The plastic components are labelled for categorised recycling.

DESCRIPTION OF SYMBOLS

The rating plate on your tool may show symbols. These represent important information about the product or instructions on its use.



Conforms to the relevant European Directives



Refer to original instructions



Conforms to the requirements of Customs Union regulations

YYYY-Www

Production period, where the variable symbols are:
YYYY - year of manufacture,
ww - calendar week number



Conforms to the requirements of Ukrainian standards

BR, BUR

CORDLESS DRILL / DRIVER

There are symbols on the battery pack. These represent important information about the product or instructions on its use.



Recycle Li-Ion battery packs!



Do not wet, protect from rain and water!



Do not heat, protect from direct exposure to sun and fire!



Admissible charging temperature range
0-45°C

Technical specifications

Model		BR2 18Li-C HD	BUR2 18Li-C HD*
▪ Rated voltage	V	18	18
▪ No load speed (I gear / II gear)	min ⁻¹	0-350/0-1350	0-350/0-1350
▪ No load impact rate (I gear / II gear)	min ⁻¹	—	5250/20250
▪ Max. torque	Nm	40	40
▪ Torque control settings		20+1	20+1
▪ Keyless chuck capacity	mm	1,5–13	1,5–13
▪ Drilling capacity in steel / wood / masonry	mm	13/20/—	13/20/13
▪ Wood screw max. diameter	mm	8	8
▪ Electronic trigger speed control, left - right run		Yes	Yes
▪ Electric brake		Yes	Yes
▪ Auto spindle lock		Yes	Yes
▪ LED work area light		Yes	Yes
▪ LED charge indicator		Yes	Yes
▪ Two-speed gear		Yes	Yes
▪ Weight incl. battery pack 2 Ah / 4 Ah (EPTA Procedure 01/2014)	kg	1,3 / 1,6	1,4 / 1,6

NOISE AND VIBRATION INFORMATION (Measured values determined according to EN 60745.)

▪ Noise emission			
A-weighted sound pressure level L_{pA}	dB(A)	72	76
Uncertainty K_{pA}	dB	3	3
A-weighted sound power level L_{WA}	dB(A)	83	87
Uncertainty K_{WA}	dB	3	3



Wear hearing protection!

▪ Vibration emission (The vibration emission values are determined according to 6.2.7 EN 60745)

Total vibration values (vector sum in the three axes) determined according to EN 60745:

Vibration emission value in impact mode $a_{h, ID}$	m/s ²	—	9,4
Uncertainty $K_{h, ID}$	m/s ²	—	1,5
Vibration emission value $a_{h, D}$	m/s ²	< 2,5	< 2,5
Uncertainty $K_{h, D}$	m/s ²	1,5	1,5

* The models are with impact function

The vibration emission level given in this information sheet has been measured in accordance with a standardised test given in EN 60745 and may be used to compare one tool with another. It may be used for a preliminary assessment of exposure.

The declared vibration emission level represents the main applications of the tool. However if the tool is used for different applications, with different accessories or poorly maintained, the vibration emission may differ. This may significantly increase the exposure level over the total working period.

An estimation of the level of exposure to vibration should also take into account the times when the tool is switched off or when it is running but not actually doing the job. This may significantly reduce the exposure level over the total working period.

Maintain the power tool and the accessories and keep your hands warm during operation to reduce the harmful effect of vibrations.

Dust from material such as paint containing lead, some wood species, minerals and metal may be harmful. Contact with or inhalation of the dust may cause allergic reactions and/or respiratory diseases to the operator or bystanders.

Certain kinds of dust are classified as carcinogenic such as oak and beech dust especially in conjunction with additives for wood conditioning (chromate, wood preservative). Material containing asbestos must only be treated by specialists.

- Where the use of a dust extraction device is possible it shall be used.
- To achieve a high level of dust collection, use vacuum cleaner for wood or for wood and/or minerals together with this tool.
- The work place must be well ventilated.
- The use of a dust mask of filter class P2 is recommended.

Follow national requirements for the materials you want to work with.

General power tool safety warnings



WARNING! Read all safety warnings and all instructions. Failure to follow the warnings and instructions may result in electric shock, fire and/or serious injury.

Save all warnings and instructions for future reference.

The term "power tool" in the warnings refers to your mains-operated (corded) power tool or battery-operated (cordless) power tool.

1. WORK AREA SAFETY

- Keep work area clean and well lit. Cluttered or dark areas invite accidents.
- Do not operate power tools in explosive atmospheres, such as in the presence of flammable liquids, gases or dust. Power tools create sparks which may ignite the dust or fumes.
- Keep children and bystanders away while operating a power tool. Distractions can cause you to lose control.

2. ELECTRICAL SAFETY

- Power tool plugs must match the outlet. Never modify the plug in any way. Do not use any adapter plugs with earthed (grounded) power tools. Unmodified plugs and matching outlets will reduce risk of electric shock.
- Avoid body contact with earthed or grounded surfaces, such as pipes, radiators, ranges and refrigerators. There is an increased risk of electric shock if your body is earthed or grounded.
- Do not expose power tools to rain or wet conditions. Water entering a power tool will increase the risk of electric shock.
- Do not abuse the cord. Never use the cord for carrying, pulling or unplugging the power tool. Keep cord away from heat, oil, sharp edges or moving parts. Damaged or entangled cords increase the risk of electric shock.
- When operating a power tool outdoors, use an extension cord suitable for outdoor use. Use of a cord suitable for outdoor use reduces the risk of electric shock.
- If operating a power tool in a damp location is unavoidable, use a residual current device (RCD) protected supply. Use of an RCD reduces the risk of electric shock.

3. PERSONAL SAFETY

- Stay alert, watch what you are doing and use common sense when operating a power tool. Do not use a power tool while you are tired or under the influence of drugs, alcohol or medication. A moment of inattention while operating power tools may result in serious personal injury.
- Use personal protective equipment. Always

wear eye protection. Protective equipment such as dust mask, non-skid safety shoes, hard hat, or hearing protection used for appropriate conditions will reduce personal injuries.

- Prevent unintentional starting. Ensure the switch is in the off-position before connecting to power source and/or battery pack, picking up or carrying the tool. Carrying power tools with your finger on the switch or energising power tools that have the switch on invites accidents.
- Remove any adjusting key or wrench before turning the power tool on. A wrench or a key left attached to a rotating part of the power tool may result in personal injury.
- Do not overreach. Keep proper footing and balance at all times. This enables better control of the power tool in unexpected situations.
- Dress properly. Do not wear loose clothing or jewellery. Keep your hair, clothing and gloves away from moving parts. Loose clothes, jewellery or long hair can be caught in moving parts.
- If devices are provided for the connection of dust extraction and collection facilities, ensure these are connected and properly used. Use of dust collection can reduce dust-related hazards.

4. POWER TOOL USE AND CARE

- Do not force the power tool. Use the correct power tool for your application. The correct power tool will do the job better and safer at the rate for which it was designed.
- Do not use the power tool if the switch does not turn it on and off. Any power tool that cannot be controlled with the switch is dangerous and must be repaired.
- Disconnect the plug from the power source and/or the battery pack from the power tool before making any adjustments, changing accessories, or storing power tools. Such preventive safety measures reduce the risk of starting the power tool accidentally.
- Store idle power tools out of the reach of children and do not allow persons unfamiliar with the power tool or these instructions to operate the power tool. Power tools are dangerous in the hands of untrained users.
- Maintain power tools. Check for misalignment or binding of moving parts, breakage of parts and any other condition that may affect the power tool's operation. If damaged, have the power tool repaired before use. Many accidents are caused by poorly maintained power tools.
- Keep cutting tools sharp and clean. Properly maintained cutting tools with sharp cutting edges are less likely to bind and are easier to control.
- Use the power tool, accessories and tool bits etc. in accordance with these instructions, taking into account the working conditions and the work to be performed. Use of the power tool for operations different from those intended could result in a hazardous situation.

5. BATTERY TOOL USE AND CARE

- a) **Recharge only with the charger specified by the manufacturer.** A charger that is suitable for one type of battery pack may create a risk of fire when used with another battery pack.
- b) **Use power tools only with specifically designated battery packs.** Use of any other battery packs may create a risk of injury and fire.
- c) **When battery pack is not in use, keep it away from other metal objects, like paper clips, coins, keys, nails, screws or other small metal objects, that can make a connection from one terminal to another.** Shorting the battery terminals together may cause burns or a fire.
- d) **Under abusive conditions, liquid may be ejected from the battery; avoid contact. If contact accidentally occurs, flush with water. If liquid contacts eyes, additionally seek medical help.** Liquid ejected from the battery may cause irritation or burns.

6. SERVICE

- a) **Have your power tool serviced by a qualified repair person using only identical replacement parts.** This will ensure that the safety of the power tool is maintained.

Additional safety rules for cordless drills / drivers

- Be aware that this tool is always in an operating condition, because it does not have to be plugged into an electrical outlet. Always set the trigger switch to the locked OFF position when installing or removing the battery pack.
- **Wear ear protectors when impact drilling.** Exposure to noise can cause hearing loss.
- **Use the auxiliary handle if supplied with the machine.** Loss of control can cause personal injury.
- **Hold the power tool by insulated gripping surfaces when performing an operation where the cutting accessory or the fastener may contact hidden wiring.** Contact with a "live" wire will make exposed metal parts of the power tool "live" and shock the operator.
- If possible, always use clamps or a vice to hold your work.
- Do not touch the bit after operation. It will be very hot.
- When using the drill, use safety equipment including safety glasses and ear defenders. Wear a dust mask if the drilling operation creates dust.
- The dust, separated while processing materials, containing quartz (SiO₂) is dangerous to your health. Do not process materials containing asbestos.
- The tool must be used only for its prescribed purpose. Any use other than those mentioned in this Manual will be considered a case of misuse. The user and not the manufacturer shall be liable for any damage or injury resulting from such cases of misuse.
- To use this tool properly, you must observe the safety regulations, the assembly instructions and the oper-

ating instructions to be found in this Manual. All persons who use and service the machine have to be acquainted with this Manual and must be informed about its potential hazards. Children and frail people must not use this tool. Children should be supervised at all times if they are in the area in which the tool is being used. It is also imperative that you observe the accident prevention regulations in force in your area. The same applies for general rules of occupational health and safety.

- The manufacturer shall not be liable for any changes made to the tool nor for any damage resulting from such changes.

Even when the tool is used as prescribed it is not possible to eliminate all residual risk factors. The following hazards may arise in connection with the tool's construction and design:

- Damage to the lungs if an effective dust mask is not worn.
- Damage to hearing if effective ear defenders are not worn.
- Power tools must not be used outdoors in rainy weather, or in moist environment (after rain) or in close vicinity with easily flammable liquids and gases. The working place should be well lit.

Know your product

Before using the power tool, familiarize yourself with all operating features and safety requirements.

Use the tool and accessories only for the applications intended. All other applications are expressly ruled out.

1. Keyless chuck
2. Speed selector switch
3. Forward/reverse switch
4. Battery release button
5. Battery*
6. ON/OFF trigger switch
7. Battery state indicator
8. LED light
9. Torque adjustment collar
10. Charger*
11. Operation mode selector switch

* Accessories shown or described are not part of the standard delivery scope.

Operation

The machine is intended for driving in and loosening screws as well as for drilling in wood, metal, ceramics and plastic.

BUR2 18Li-C HD machines are additionally intended for impact drilling in bricks, brickwork and masonry.

FITTING AND REMOVING THE BATTERY PACK (Fig. 1)

To remove the battery: Press release button (4) in the indicated direction (A) and pull the battery out of the machine body. (B)



WARNING: Always set the forward/reverse switch (3) in central position before any work on the machine e. g. fitting and removing a battery, tool change, transport, maintenance and storage.

To insert the battery: Place the battery into the base of the machine and slide it until it locks with an audible click. (C).

BATTERY STATE INDICATION (Fig. 2)

The battery state during operation can be checked on the LED display (7) by pressing the ON/OFF trigger switch (6).

Depending on the number of illuminated LEDs the battery state is as follows:

3	Battery capacity: 60 - 100%
2	Battery capacity: 30 - 60%
1	Battery capacity: < 30%
1 Blinking light	Battery capacity: < 20%. The battery must be recharged.
Blinking light	<p>Problems with battery. The display is activated upon pressing the trigger of the switch. It may show one of the following battery states:</p> <ul style="list-style-type: none"> ▪ Low battery ► Battery has to be recharged; ▪ Temperature protection has been actuated ► Battery must be cooled down prior to resuming operation; ▪ Damaged or unrecognized battery ► Battery has to be replaced

The direction of decreasing the charge level indicated by the LEDs is marked on the housing of the power tool.

LED WORK AREA LIGHT

The machine is equipped with LED light (8) to illuminate the work area and improve visibility when drilling in areas with insufficient light. To turn the LED light on press the trigger of switch (6). LED light will automatically turn off 5 seconds after releasing the trigger of switch (6).

Electronic control may turn off the excessively overloaded machine in order to protect it. This mode is signalled by blinking LED work area light (8). The power tool can be used for its intended purpose after switching it on again.

REVERSING (Fig. 3)

The extreme position of forward/reverse switch (3) to the right (viewed from the rear) is equivalent to anti-clockwise rotation, the extreme position to the left - to clockwise rotation. When the ON/OFF switch (6) is depressed switch (3) cannot be actuated.

With the ON/OFF switch (3) in neutral position, switch (6) cannot be pressed and the machine cannot be operated.



WARNING: Reversing can be performed only when the spindle is not rotating!

Drilling and tightening screws are performed with lever in extreme position to the left. Removal of screws is performed with lever in extreme position to the right.

SWITCHING ON - SWITCHING OFF

Switching on: press ON/OFF switch (6).

Switching off: release ON/OFF switch (6).

This power tool is equipped with electric brake. The spindle stops rotating immediately after releasing the switch lever.

SMOOTH ELECTRONIC RPM CONTROL

Light pressure on ON/OFF trigger switch (6) results in low rotation speed, further pressing the switch results in smooth increase of the rpm to maximum upon reaching the extreme position.

ADJUSTING THE TORQUE (Fig. 4)

Rotate the torque adjustment collar (9) behind the chuck, to adjust the torque to each of 20 settings.

The range of 20 torque settings allows better control when using the drill as a screwdriver thus preventing over-tightening of the screws.

The numbers circling the collar are used to indicate the level of torque. The larger the number on the collar, the higher the torque. To select any of the numbers, rotate the collar (9) until the desired number aligns with the arrow head indicator on the housing of the machine.

1 ÷ 20	<p>Screwdriving Set the torque adjustment collar (9) against one of 20 positions.</p> <p>Select low setting range for working with small screws or in soft materials.</p> <p>Select high setting range for working with large screws or in hard materials.</p> <p>BUR2 18Li-C HD: Set the operation mode selector switch (11) against the symbol "screw".</p>
	<p>Drilling Set the torque adjustment collar (9) against this symbol to choose drilling in metal, wood, etc.</p> <p>The power tool is equipped with an electric brake. The spindle stops rotation immediately after the switch trigger has been released. At overloading in drilling mode release the switch immediately to prevent prolonged overloading and overheating the motor.</p> <p>BUR2 18Li-C HD: Set the operation mode selector switch (11) against this symbol.</p>
	<p>Impact drilling (BUR2 18Li-C HD): Set the operation mode selector switch (11) against this symbol to select impact drilling in bricks, cement, tiles, etc.</p>

SPEED SELECTOR SWITCH (Fig. 5)

The two-speed selector switch (2) enables you to select the appropriate gear with the optimum speed and torque to suit the application.



WARNING: When changing the gear ensure the drill is switched off.

1. To select the low gear (low speed, high torque setting), push the gear selector (2) backward. The digit 1 on the switch will be displayed.
2. To select the high gear (high speed, low torque setting), push the gear selector (2) forward. The digit 2 on the switch will be displayed.

INSERTING AND REMOVING BITS (Fig. 6)



WARNING: Remove the battery or set the forward/reverse switch (3) in central (neutral) position (A).

The drill is fitted with auto spindle lock which means if you try to rotate the chuck by hand the spindle will automatically lock. This means you only need to grasp the chuck and rotate the chuck housing to remove or fit accessories.

- Hold the machine with one hand and rotate the chuck with the other hand.
 - To open the chuck, rotate it anti-clockwise. (B)
 - To close the chuck, rotate it clockwise. (D)
- Insert the bit. (C)
- Close the chuck.
- Perform a test run to check that the bit is properly clamped in the centre.

REPLACING THE CHUCK



WARNING: Replacing the chuck must be performed only in authorised service centres. Please do not attempt to replace the chuck with available tools otherwise you may damage the cordless drill/driver.

DRILLING

Drilling metal

- For maximum performance, use high speed steel bits for drilling in metal or steel.
 - Ensure that the torque adjustment collar (9) is at position "drill bit".
- BUR2 18Li-C HD** - Set the operation mode selector switch (11) against the symbol „drill bit“.
- Begin drilling at very low speed to prevent the bit from slipping off the starting point.
 - Always clamp sheet metal.
 - Support thin metal with a block of wood to avoid distorting it.
 - Use a punch to mark the centre of the hole.
 - Use a suitable lubricant for the material you are working on.

Material	Lubricant
Steel	Oil
Aluminium	Turpentine or paraffin
Brass, copper or cast iron	Do not lubricate

Drilling plastics and plastic coated chipboard

- Use high speed drill bits.
- Refer to "Drilling wood" below.

Drilling masonry (BUR2 18Li-C HD)

- For maximum performance use carbide-tipped masonry impact bits when drilling holes in brick, tile, concrete etc.
- Switch to "impact drilling" mode by turning the operation mode selector switch (11) against the symbol "hammer" and setting the speed selector switch (2) to position "2".
- Apply light pressure and medium speed for best results in brick.
- Apply additional pressure and high speed for hard materials such as concrete.
- When drilling holes in tile, practice on a scrap piece to determine the best speed and pressure.

Drilling wood

- For maximum performance, use high speed steel bits for wood drilling.
 - Ensure that the torque adjustment collar (9) is at position "drill bit".
- BUR2 18Li-C HD** - Set the operation mode selector switch (11) against the symbol „drill bit“.
- Begin drilling at very low speed to prevent the bit from slipping off the starting point. Increase the speed as the drill bites into the material.
 - When drilling through holes, place a block of wood behind the work piece to prevent ragged or splintered edges on the back side of the hole.

All drilling operations

- Use only sharp drill bits.
- Mark off the centre of the hole using a centre punch or nail.

SCREWING / UNSCREWING

Select the appropriate torque by placing one of the numbers, marked on the torque adjustment collar (9), against the arrow on the tool housing. Insert the necessary bit.

BUR2 18Li-C HD - Set the operation mode selector switch (11) against the symbol "screw".




WARNING: Over-tightening can result in the screw breaking or damage to the end of the driver bit.



WARNING: If the machine is held at an angle to the screw being tightened, the head of the screw may be damaged, or the specified torque may not be transmitted to the screw. Always keep the machine and the screw being tightened in a straight line.

Maintenance


 **WARNING:** Always set the forward/reverse switch (3) in central position before any work on the machine e. g. fitting and removing a battery, tool change, transport, maintenance and storage.


Regularly check that all the fixing screws are tight. They may vibrate loose over time.

CLEANING


For safe operation always keep the machine and its ventilation slots clean.

Regularly check to see if any dust or foreign matter has entered the grills near the motor and around the switches. Use a soft brush to remove any accumulated dust. Wear safety glasses to protect your eyes whilst cleaning. If the body of the tool needs cleaning, wipe it with a soft damp cloth. A mild detergent can be used.

 **WARNING:** Never use alcohol, petrol or other cleaning agent. Never use caustic agents to clean plastic parts.

 **WARNING:** Water must never come into contact with the tool.

CHARGER CLEANING INSTRUCTIONS

 **WARNING:** Disconnect the charger from the AC outlet before cleaning.

- Dirt and grease may be removed from the exterior of the charger using a cloth or soft non-metallic brush. Do not use water or any cleaning solutions.

IMPORTANT! To assure product safety and reliability, repairs, maintenance and adjustment (including brush inspection and replacement) should be performed by certified service centres or other qualified service organisations, always using genuine replacement parts.



Recycling

The machine, accessories and packaging should be sorted for environmental-friendly recycling. Batteries, chargers, accessories and packaging shall be submitted to extraction for utilization of secondary raw materials.

For EU-countries only:

Do not dispose of the power tool into household waste! According to the guidelines 2012/19/EU, power tools, which are not usable, should be recycled.

Batteries:



Do not dispose of the power tool or the battery into household waste, fire or water. All type of batteries should be sorted for environmental-friendly recycling or destroyed.

For EU-countries only:

Defective or worn out batteries must be recycled according to the guidelines 2006/66/EC.

Warranty

The guarantee period for SPARKY power tools is determined in the guarantee card.

Faults due to normal wear, overloading or improper handling will be excluded from the guarantee.

Faults due to defective materials implemented as well as defects in workmanship will be corrected free of charge through replacement or repair.

The complaints for defective SPARKY power tools will be recognized if the machine is sent back to the dealer or is presented to the authorised warranty service centre undismantled, in its initial condition.

Inhalt

Einleitung.....	9
Technische Daten.....	11
Allgemeine Sicherheitshinweise für Elektrowerkzeuge.....	12
Zusätzliche Sicherheitshinweise für die Arbeit mit Akku-Bohrschraubern	13
Elemente des Elektrowerkzeugs	14
Arbeitshinweise	14
Wartung.....	16
Recycling.....	17
Garantie.....	17

AUSPACKEN

Überprüfen Sie unmittelbar nach dem Auspacken ob sämtliche Bestandteile und das beschriebene Zubehör mitgeliefert wurden. Sollte dies nicht der Fall sein, wenden Sie sich bitte umgehend an Ihren Fachhändler bei dem der Akkuschauber gekauft wurde. Dies trifft auch dann zu, wenn Sie den Eindruck haben mit dem Gerät ist etwas nicht in Ordnung. Eine Nichtbeachtung dieser Empfehlung kann zu schweren Unfällen führen.

ZUSAMMENBAU

Die Akku-Bohrschrauber werden verpackt und vollständig montiert geliefert.

Einleitung

Die Elektrowerkzeuge werden gemäß den hohen Qualitätsstandards von SPARKY hergestellt. Einfach in der Bedienung und ungefährlich bei richtiger Handhabung, wird dieses Gerät bei bestimmungsgemäßem Gebrauch Ihnen lange Jahre zuverlässig dienen.



WARNUNG!

Lesen Sie die ganze Bedienungsanleitung aufmerksam durch, bevor Sie das neu erworbene SPARKY – Elektrowerkzeug in Betrieb nehmen. Beachten Sie besonders die Texte, die mit dem Wort „**Warnung**“ beginnen. Ihr SPARKY - Elektrowerkzeug besitzt viele Eigenschaften, die Ihre Arbeit erleichtern werden. Bei der Entwicklung dieses Elektrowerkzeuges ist höchste Aufmerksamkeit der Sicherheit, den Betriebseigenschaften und der Zuverlässigkeit gewidmet worden, die es einfach zur Wartung und Bedienung machen.



Entsorgen Sie das Elektrowerkzeug nicht zusammen mit dem Hausmüll!

Die Abfälle von elektrischen Erzeugnissen sollen nicht zusammen mit dem Hausmüll gesammelt werden. Für eine umweltgerechte Entsorgung geben Sie Ihren alten / defekten Elektrogeräte bitte in der nächsten kommunalen Sammelstelle ab.



UMWELTSCHUTZ

Angesichts des Umweltschutzes sollen das Elektrowerkzeug, die Zubehörteile und die Verpackung zwecks Wiederverwendung der darin enthaltenen Rohstoffe einer geeigneten Wiederverwertung zugeführt werden. Zum sortenreinen Recycling sind die Teile, hergestellt aus Kunststoffen, entsprechend gekennzeichnet.

BEDEUTUNG DER SYMBOLE

Auf dem Typenschild des Elektrowerkzeuges sind spezielle Symbole dargestellt. Sie stellen wichtige Information über das Produkt oder Instruktionen für seine Nutzung dar.



Entspricht den einschlägigen Europäischen Richtlinien



Lesen Sie die Originalbetriebsanleitung



Entspricht den Anforderungen der Zollunion-Regelungen

YYYY-Www

Zeitabschnitt der Produktion, wobei die variablen Symbole sind:
YYYY - Kalenderjahr der Produktion,
ww - laufende Kalenderwoche



Entspricht den Anforderungen der ukrainischen normativen Dokumenten

BR, BUR

AKKU-BOHRSCHRAUBER

Auf der Batterie sind spezielle Symbole abgebildet. Sie enthalten wichtige Information über das Erzeugnis oder Anleitungen über das Benutzen der Batterie.



Recycling von Li-Ion Batterien.



Wasser und anderer Feuchtigkeit schützen.



Nicht erhitzen, vor direkter Sonneneinwirkung und vor Feuer schützen!



Zulässiger Temperaturbereich zum Laden 0+45°C

Technische Daten

Modell		BR2 18Li-C HD	BUR2 18Li-C HD*
▪ Motor:	V	18	18
▪ Leerlaufdrehzahl: (I Geschwindigkeit /II Geschwindigkeit)	min ⁻¹	0-350/0-1350	0-350/0-1350
▪ Schlagzahl bei Leerlauf (I Geschwindigkeit /II Geschwindigkeit)	min ⁻¹	–	5250/20250
▪ Maximales Drehmoment:	Nm	40	40
▪ Drehmomenteinstellung: (Anzahl der Teilstellungen)		20+1	20+1
▪ Bohrfutterkapazität	mm	1,5–13	1,5–13
▪ Max. Querschnitt von Bohrern für Stahl / Holz / Mauerwerk	mm	13/20/–	13/20/13
▪ Maximale Größe von Holzschrauben	mm	8	8
▪ Elektronische Drehzahleinstellung, Rechts- Links - Lauf		ja	ja
▪ Motorbremse		ja	ja
▪ Selbstarretierende Spindel		ja	ja
▪ Leuchtdiodenbeleuchtung des Arbeitsgebiets		ja	ja
▪ Leuchtdiodenanzeige des Ladevorgangs		ja	ja
▪ Zweistufiges Getriebe		ja	ja
▪ Gewicht mit Batterie 2Ah / 4Ah (EPTA Verfahren 01/2014)	kg	1,3 / 1,6	1,4 / 1,6

GERÄUSCH-/VIBRATIONSINFORMATION (Messwerte ermittelt entsprechend EN 60745.)

▪ Geräuschemissionswerte:			
Der A-bewertete Schalldruckpegel L _{pA}	dB(A)	72	76
Unsicherheit K _{pA}	dB	3	3
Der A-bewertete Schalleistungspegel L _{WA}	dB(A)	83	87
Unsicherheit K _{WA}	dB	3	3



Gehörschutz tragen!

▪ Schwingungsemissionswerte (Messwerte ermittelt nach 6.2.7 EN 60745)			
Schwingungsgesamtwerte (Vektorsumme dreier Richtungen) ermittelt entsprechend EN 60745:			
Vibrationspegel beim Schlagbohren a _{v,1D}	m/s ²	–	9,4
Unsicherheit K _{v,1D}	m/s ²	–	1,5
Schwingungsemissionswert a _{v,D}	m/s ²	< 2,5	< 2,5
Unsicherheit K _{v,D}	m/s ²	1,5	1,5

* Die Modelle sind mit Schlagwirkung

Der in diesen Anweisungen angegebene Schwingungspegel ist entsprechend einem in EN 60745 genormten Messverfahren gemessen worden und kann für den Vergleich von Elektrowerkzeugen miteinander verwendet werden. Er eignet sich auch für eine vorläufige Einschätzung der Schwingungsbelastung.

Der angegebene Schwingungspegel repräsentiert die hauptsächlichsten Anwendungen des Elektrowerkzeugs. Wenn allerdings das Elektrowerkzeug für andere Anwendungen, mit abweichenden Einsatzwerkzeugen oder ungenügender Wartung eingesetzt wird, kann der Schwingungspegel abweichen. Dies kann die Schwingungsbelastung über den gesamten Arbeitszeitraum deutlich erhöhen.

Für eine genaue Abschätzung der Schwingungsbelastung sollten auch die Zeiten berücksichtigt werden, in denen das Gerät abgeschaltet ist oder zwar läuft, aber nicht tatsächlich im Einsatz ist. Dies kann die Schwingungsbelastung über den gesamten Arbeitszeitraum deutlich reduzieren.

Pflegen Sie das Gerät und die Einsatzwerkzeuge mit Sorgfalt. Halten Sie Ihre Hände warm während der Arbeit – dies wird die schädliche Einwirkung erhöhter Schwingungen reduzieren.

Stäube von Materialien wie bleihaltigem Anstrich, einigen Holzarten, Mineralien und Metall können gesundheitsschädlich sein. Berühren oder Einatmen der Stäube können allergische Reaktionen und/oder Atemwegserkrankungen des Benutzers oder in der Nähe befindlicher Personen hervorrufen.

Bestimmte Stäube wie Eichen- oder Buchenstaub gelten als krebserzeugend, besonders in Verbindung mit Zusatzstoffen zur Holzbehandlung (Chromat, Holzschutzmittel). Asbesthaltiges Material darf nur von Fachleuten bearbeitet werden.

- Benutzen Sie möglichst eine Staubabsaugung.
- Um bei der Arbeit mit diesem Elektrowerkzeug ein gutes Staubabfangen zu gewährleisten, benutzen Sie einen Staubabsauger, der für Holzstaub oder für Holz- und mineralischen Staub bestimmt ist.
- Sorgen Sie für gute Belüftung des Arbeitsplatzes.
- Es wird empfohlen, eine Atemschutzmaske mit Filterklasse P2 zu tragen.

Beachten Sie in Ihrem Land gültige Vorschriften für die zu bearbeitenden Materialien.

Allgemeine Sicherheitshinweise für Elektrowerkzeuge



WARNUNG! Lesen Sie alle Sicherheitshinweise und Anweisungen. Versäumnisse bei der Einhaltung der Sicherheitshinweise und Anweisungen können elektrischen Schlag, Brand und/oder schwere Verletzungen verursachen.

Bewahren Sie alle Sicherheitshinweise und Anweisungen für die Zukunft auf.

Der in den Sicherheitshinweisen verwendete Begriff „Elektrowerkzeug“ bezieht sich auf netzbetriebene Elektrowerkzeuge (mit Netzkabel) und auf akkubetriebene Elektrowerkzeuge (ohne Netzkabel).

1. ARBEITSPLATZSICHERHEIT

- Halten Sie Ihren Arbeitsbereich sauber und gut beleuchtet. Unordnung oder unbeleuchtete Arbeitsbereiche können zu Unfällen führen.
- Arbeiten Sie mit dem Elektrowerkzeug nicht in explosionsgefährdeter Umgebung, in der sich brennbare Flüssigkeiten, Gase oder Stäube befinden. Elektrowerkzeuge erzeugen Funken, die den Staub oder die Dämpfe entzünden können.
- Halten Sie Kinder und andere Personen während der Benutzung des Elektrowerkzeugs fern. Bei Ablenkung können Sie die Kontrolle über das Gerät verlieren.

2. ELEKTRISCHE SICHERHEIT

- Der Anschlussstecker des Elektrowerkzeuges muss in die Steckdose passen. Der Stecker darf in keiner Weise verändert werden. Verwenden Sie keine Adapterstecker gemeinsam mit schutzgeerdeten Elektrowerkzeugen. Unveränderte Stecker und passende Steckdosen verringern das Risiko eines elektrischen Schlages.
- Vermeiden Sie Körperkontakt mit geerdeten Oberflächen wie von Rohren, Heizungen, Herden und Kühlschränken. Es besteht ein erhöhtes Risiko durch elektrischen Schlag, wenn Ihr Körper geerdet ist.
- Halten Sie Elektrowerkzeuge von Regen oder Nässe fern. Das Eindringen von Wasser in ein Elektrowerkzeug erhöht das Risiko eines elektrischen Schlages.
- Zweckentfremden Sie das Kabel nicht, um das Elektrowerkzeug zu tragen, aufzuhängen oder um den Stecker aus der Steckdose zu ziehen. Halten Sie das Kabel fern von Hitze, Öl, scharfen Kanten oder sich bewegenden Geräteteilen. Beschädigte oder verwickelte Kabel erhöhen das Risiko eines elektrischen Schlages.
- Wenn Sie mit einem Elektrowerkzeug im Freien arbeiten, verwenden Sie nur Verlängerungskabel, die auch für den Außenbereich geeignet sind. Die Anwendung eines für den Außenbereich geeigneten Verlängerungskabels verringert das

Risiko eines elektrischen Schlages.

- Wenn der Betrieb des Elektrowerkzeuges in feuchter Umgebung nicht vermeidbar ist, verwenden Sie einen Fehlerstromschutzschalter. Der Einsatz eines Fehlerstromschutzschalters vermindert das Risiko eines elektrischen Schlages.

3. SICHERHEIT VON PERSONEN

- Seien Sie aufmerksam, achten Sie darauf, was Sie tun, und gehen Sie mit Vernunft an die Arbeit mit einem Elektrowerkzeug. Benutzen Sie kein Elektrowerkzeug, wenn Sie müde sind oder unter dem Einfluss von Drogen, Alkohol oder Medikamenten stehen. Ein Moment der Unachtsamkeit beim Gebrauch des Elektrowerkzeuges kann zu ernsthaften Verletzungen führen.
- Tragen Sie persönliche Schutzausrüstung und immer eine Schutzbrille. Das Tragen persönlicher Schutzausrüstung, wie Staubmaske, rutschfeste Sicherheitsschuhe, Schutzhelm oder Gehörschutz, je nach Art und Einsatz des Elektrowerkzeuges, verringert das Risiko von Verletzungen.
- Vermeiden Sie eine unbeabsichtigte Inbetriebnahme. Vergewissern Sie sich, dass das Elektrowerkzeug ausgeschaltet ist, bevor Sie es an die Stromversorgung und/oder den Akku anschließen, es aufnehmen oder tragen. Wenn Sie beim Tragen des Elektrowerkzeuges den Finger am Schalter haben oder das Gerät eingeschaltet an die Stromversorgung anschließen, kann dies zu Unfällen führen.
- Entfernen Sie Einstellwerkzeuge oder Schraubenschlüssel, bevor Sie das Elektrowerkzeug einschalten. Ein Werkzeug oder Schlüssel, der sich in einem drehenden Geräteteil befindet, kann zu Verletzungen führen.
- Vermeiden Sie eine abnormale Körperhaltung. Sorgen Sie für einen sicheren Stand und halten Sie jederzeit das Gleichgewicht. Dadurch können Sie das Elektrowerkzeug in unerwarteten Situationen besser kontrollieren.
- Tragen Sie geeignete Kleidung. Tragen Sie keine weite Kleidung oder Schmuck. Halten Sie Haare, Kleidung und Handschuhe fern von sich bewegenden Teilen. Lockere Kleidung, Schmuck oder lange Haare können von sich bewegenden Teilen erfasst werden.
- Wenn Staubabsaug- und -auffangeinrichtungen montiert werden können, vergewissern Sie sich, dass diese angeschlossen sind und richtig verwendet werden. Verwendung einer Staubabsaugung kann Gefährdungen durch Staub verringern.

4. VERWENDUNG UND BEHANDLUNG DES ELEKTROWERKZEUGES

- Überlasten Sie das Gerät nicht. Verwenden Sie für Ihre Arbeit das dafür bestimmte Elektrowerkzeug. Mit dem passenden Elektrowerkzeug arbeiten Sie besser und sicherer im angegebenen Leistungsbereich.
- Benutzen Sie kein Elektrowerkzeug, dessen Schalter defekt ist. Ein Elektrowerkzeug, das

sich nicht mehr ein- oder ausschalten lässt, ist gefährlich und muss repariert werden.

- c) Ziehen Sie den Stecker aus der Steckdose und/oder entfernen Sie den Akku, bevor Sie Geräteeinstellungen vornehmen, Zubehörteile wechseln oder das Gerät weglegen. Diese Vorsichtsmaßnahme verhindert den unbeabsichtigten Start des Elektrowerkzeuges.
- d) Bewahren Sie unbenutzte Elektrowerkzeuge außerhalb der Reichweite von Kindern auf. Lassen Sie Personen das Gerät nicht benutzen, die mit diesem nicht vertraut sind oder diese Anweisungen nicht gelesen haben. *Elektrowerkzeuge sind gefährlich, wenn Sie von unerfahrenen Personen benutzt werden.*
- e) Pflegen Sie Elektrowerkzeuge mit Sorgfalt. Kontrollieren Sie, ob bewegliche Teile einwandfrei funktionieren und nicht klemmen, ob Teile gebrochen oder so beschädigt sind, dass die Funktion des Elektrowerkzeuges beeinträchtigt ist. Lassen Sie beschädigte Teile vor dem Einsatz des Gerätes reparieren. *Viele Unfälle haben ihre Ursache in schlecht gewarteten Elektrowerkzeugen.*
- f) Halten Sie Schneidwerkzeuge scharf und sauber. *Sorgfältig gepflegte Schneidwerkzeuge mit scharfen Schneidkanten verkleben sich weniger und sind leichter zu führen.*
- g) Verwenden Sie Elektrowerkzeug, Zubehör, Einsatzwerkzeuge usw. entsprechend diesen Anweisungen. Berücksichtigen Sie dabei die Arbeitsbedingungen und die auszuführende Tätigkeit. *Der Gebrauch von Elektrowerkzeugen für andere als die vorgesehenen Anwendungen kann zu gefährlichen Situationen führen.*

5. VERWENDUNG UND BEHANDLUNG DES AKKUWERKZEUGS

- a) Laden Sie die Akkus nur in Ladegeräten auf, die vom Hersteller empfohlen werden. *Für ein Ladegerät, das für eine bestimmte Art von Akkus geeignet ist, besteht Brandgefahr, wenn es mit anderen Akkus verwendet wird.*
- b) Verwenden Sie nur die dafür vorgesehenen Akkus in den Elektrowerkzeugen. *Der Gebrauch von anderen Akkus kann zu Verletzungen und Brandgefahr führen.*
- c) Halten Sie den nicht benutzten Akku fern von Büroklammern, Münzen, Schlüsseln, Nägeln, Schrauben oder anderen kleinen Metallgegenständen, die eine Überbrückung der Kontakte verursachen könnten. *Ein Kurzschluss zwischen den Akkukontakten kann Verbrennungen oder Feuer zur Folge haben.*
- d) Bei falscher Anwendung kann Flüssigkeit aus dem Akku austreten. Vermeiden Sie den Kontakt damit. Bei zufälligem Kontakt mit Wasser abspülen. Wenn die Flüssigkeit in die Augen kommt, nehmen Sie zusätzlich ärztliche Hilfe in Anspruch. *Austretende Akkuflüssigkeit kann zu Hautreizungen oder Verbrennungen führen.*

6. SERVICE

- a) Lassen Sie Ihr Elektrowerkzeug nur von qualifiziertem Fachpersonal und nur mit Original-Ersatzteilen reparieren. *Damit wird sichergestellt, dass die Sicherheit des Elektrowerkzeuges erhalten bleibt.*

Zusätzliche Sicherheitshinweise für die Arbeit mit Akku-Bohrschraubern

- Beachten Sie bitte, dass das Werkzeug bei eingesetzter und geladener Batterie immer einsatzbereit ist da es unabhängig vom Stromnetz arbeitet. Stellen Sie immer den Schalter auf die Stellung AUS, wenn Sie die Batterie einsetzen oder herausnehmen.
- **Verwenden Sie Gehörschutzmittel beim Arbeiten mit Schlagbohrmaschinen.** *Intensiver Lärm am Arbeitsplatz kann zu Hörschäden leiten.*
- **Benutzen Sie immer den zusätzlichen Handgriff, wenn er mit der Maschine geliefert ist.** *Kontrollverlust kann zu Unfällen führen.*
- **Halten Sie das Gerät an den isolierten Griffflächen, wenn Sie Arbeiten ausführen, bei denen das Einsatzwerkzeug verborgene Stromleitungen treffen kann.** *Der Kontakt mit einer spannungsführenden Leitung kann metallene Geräteteile unter Spannung setzen und zu einem elektrischen Schlag führen.*
- Wenn es möglich ist verwenden Sie eine Klemme oder einen Schraubstock, um das zu bearbeitende Material zu fixieren.
- Unmittelbar nach der Arbeit mit der Bohrmaschine den Bohrer nicht berühren. Er ist sehr heiß.
- Wenn Sie mit einer Bohrmaschine arbeiten, verwenden Sie eine Schutzausrüstung, die Schutzbrille und Gehörschutz beinhaltet. Tragen Sie eine Staubschutzmaske, wenn sich beim Bohren Staub bildet.
- Der Staub, der sich beim Bohren von Materialien bildet, die Quarz enthalten (Siliziumdioxid), schadet Ihrer Gesundheit. Materialien, die Asbest enthalten dürfen nicht bearbeitet werden.
- Das Elektrowerkzeug darf nur für den entsprechenden Zweck verwendet werden. Jeder anderer Gebrauch, der sich von dem in dieser Gebrauchsanleitung beschriebenen Zwecken unterscheidet, wird als inkorrekt angesehen. Die Verantwortung für alle Schäden oder Verletzungen, die von einem inkorrekten Gebrauch verursacht werden, wird vom Verbraucher getragen und nicht vom Hersteller.
- Um mit diesem Elektrowerkzeug richtig zu arbeiten, müssen Sie die hier gegebenen Sicherheitshinweise, die allgemeinen Vorschriften und Arbeitshinweise befolgen. Alle Nutzer sollten diese Gebrauchsanleitung kennen und mit den potenziellen Risiken bei der Arbeit mit diesem Elektrowerkzeug bekannt gemacht werden. Kinder und körperlich schwache Personen dürfen mit dem Elektrowerkzeug nicht arbeiten. Kinder müssen unter ständiger Kontrolle sein, wenn sie sich in der Nähe befinden und man mit dem Elektrowerkzeug arbeitet. Es ist unbedingt notwendig, dass Sie die



örtlichen Unfallverhütungsvorschriften beachten. Das gleiche gilt für die Vorschriften zur Arbeitssicherheit.

- Der Hersteller trägt keine Verantwortung für vom Verbraucher gemachte Änderungen am Elektrowerkzeug oder für Schäden, die von solchen Änderungen verursacht wurden.

Sogar, wenn das Elektrowerkzeug für die entsprechenden Zwecke verwendet wird, ist es nicht möglich alle restlichen Risikofaktoren zu eliminieren.

Die unten genannten Gefahren können im Zusammenhang mit den Konstruktionsbesonderheiten und dem Design des Elektrowerkzeugs entstehen.

- Lungenprobleme, wenn man keine effektive Staubschutzmaske verwendet.
- Gehörprobleme, wenn man keinen effektiven Gehörschutz verwendet.
- Das Elektrowerkzeug darf nicht im Freien bei Regenwetter, in einer feuchten Umgebung (nach einem Regen) oder in der Nähe von leicht entzündbaren Flüssigkeiten und Gasen benutzt werden. Die Arbeitsstelle muss gut beleuchtet sein.

Elemente des Elektrowerkzeugs

Bevor Sie mit dem Elektrowerkzeug zu arbeiten beginnen, lesen Sie zuerst alle Arbeitsbesonderheiten und Sicherheitsbedingungen. Verwenden Sie das Elektrowerkzeug und das Zubehör nur für die entsprechende Zwecke. Jede andere Anwendung ist absolut verboten.

- Schnellspann-Bohrfutter
- Gangumschalter
- Drehrichtungs-Umschalter
- Taste für die Batterie
- Batterie*
- Schalter
- Leuchtdiodenanzeige der Batterie
- Leuchtdiodenbeleuchtung des Arbeitsplatzes
- Drehmomentregler
- Ladegerät*
- Betriebsarten-Umschalter

* Abgebildetes oder beschriebenes Zubehör gehört nicht zum Standard-Lieferumfang.

Arbeitshinweise

Das Elektrowerkzeug ist bestimmt zum Eindrehen und Lösen von Schrauben sowie zum Bohren in Holz, Metall, Keramik und Kunststoff.

BUR2 18Li-C HD ist zusätzlich bestimmt zum Schlagbohren in Ziegel und Mauerwerk.

EINSETZEN UND ENTFERNEN DER BATTERIE (Abb. 1)

Zum Entfernen der Batterie: Drücken Sie die Taste zum Freisetzen der Batterie (4) in die angegebene Richtung (A) und ziehen Sie die Batterie heraus.(B)



WARTUNG: Stellen Sie immer den Umschalter für Wechseln der Drehrichtung (3) in der Mittelposition bevor sie irgendwelche Arbeiten an dem Werkzeug durchzuführen, wie z.B. Einbauen und Laden der Batterie, Austausch eines Endstückes, Umtransportieren, Wartung oder Lagerung des Elektrowerkzeuges.

Zum Einsetzen der Batterie: Legen Sie die Batterie am unteren Ende des Elektrowerkzeugs ein und schieben Sie diese in die unten angegebene Pfeilrichtung bis Sie ein charakteristisches Knacken hören. (C)

ANZEIGEN DES BATTERIEZUSTANDS (Bild 2)

Der Batteriezustand während der Arbeit wird durch eine Leuchtdiode überwacht (7). Um die Anzeige zu deaktivieren, drücken Sie den Schalter (6).

Abhängig von Leuchtdiodenzahl ist die Batteriezustand wie folgt:

3	Kapazität der Batterie: 60 - 100%
2	Kapazität der Batterie: 30 - 60%
1	Kapazität der Batterie: < 30%
1 Blinkendes Licht	Kapazität der Batterie: < 20%. Die Batterie muss geladen werden.
Blinkendes Licht	Mögliche Probleme mit der Batterie. Die Anzeige aktiviert sich bei gedrücktem Schalter. Sie zeigt einen der folgenden Zustände der Batterie an: <ul style="list-style-type: none"> Entladene Batterie ► Die Batterie muss geladen werden; Gestarteter Temperaturschutz ► Die Batterie muss gekühlt werden, bevor Sie die Arbeit neu starten; Beschädigte oder nicht erkannte Batterie ► Die Batterie muss ausgetauscht werden.

Sie finden den Indikator dem Maschinengehäuse.

LEUCHTDIODENBELEUCHTUNG DES ARBEITSPLATZES

Das Elektrowerkzeug ist mit einer LED Beleuchtung (8) für die Ausleuchtung des Arbeitsbereiches und an schwach beleuchteten Orten ausgestattet.

Die LED Beleuchtung ist eingeschaltet, wenn der Schalter (6) gedrückt ist.

WAHL DER DREHRICHTUNG (Bild 3)

Position ganz rechts des Drehrichtungsumschalters (3) (von hinten gesehen) bedeutet- Drehen entgegen dem Uhrzeigersinn, und die Position ganz links – im Uhrzeigersinn. Wenn der Schalter (6) gedrückt ist, kann der Umschalter (3) nicht betätigt werden.

Steht der Umschalter (3) in Neutral-Position, kann der Schalter (6) nicht betätigt und das Gerät nicht betätigt werden.



WARTUNG: Das Wechseln der Drehrichtung darf nur beim Stillstand der Spindel erfolgen.



Zum Bohren von Löchern und zum Einschrauben von Schrauben schieben Sie den Umschalter nach links. Zum Lösen von Schrauben schieben Sie den Umschalter nach rechts.

EIN- UND AUSSCHALTEN

Einschalten: Schalter (6) drücken.

Ausschalten: Schalter (6) loslassen.

Das Elektrowerkzeug besitzt eine elektrische Motorbremse. Die Spindel stoppt sofort wenn Sie den Schalter loslassen.


STUFENLOSE ELEKTRONISCHE DREHZAHLREGELUNG


Wenn Sie den Schalter (6) leicht drücken, beginnt der Bohrschrauber mit niedrigen Drehzahlen zu arbeiten, die mit dem Drücken des Schalters bis zum Ende sich stufenlos bis zum Maximum erhöhen lassen.

REHMOMENTREGELUNG (Bild 4)

Drehen Sie den Ring hinter dem Bohrfutter, um den Drehmomentregler (9) in eine der 20 Einstellungen und wählen Sie das für ihre Arbeit passende Drehmoment. Die Einstellungen des Drehmomentreglers (9) erlauben eine bessere Kontrolle über das Elektrowerkzeug, wenn es als Schraubenzieher verwendet wird, wobei man auf dieser Weise ein zu starkes Eindrehen der Schrauben vermeidet.

Das Drehmoment wird mit einer der Zahlen, die um den Ring markiert sind, gekennzeichnet. Je größer die Zahl, die auf dem Ring markiert ist, desto höher ist das Drehmoment. Um das richtige Drehmoment zu wählen, drehen Sie den Ring bis die entsprechende Ziffer vor dem Pfeil auf dem Maschinengehäuse steht.


1 ÷ 20	<p>Schrauben Stellen Sie den Drehmomentregler (9) in eine der 20 Positionen. Ein niedriges Drehmoment ist für Einschrauben von Schrauben mit kleinerem Durchmesser sowie in einem Material mit niedriger Härte geeignet. Ein höheres Drehmoment ist für Einschrauben von Schrauben mit einem größeren Durchmesser und in Material mit größerer Härte geeignet. BUR2 18Li-C HD: Betriebsarten-Umschalter (11) in Position "Schraube" stellen.</p>
	<p>Bohren Stellen Sie den Drehmomentregler (9) auf das jeweilige Symbol, um in Metall, Holz u.a. zu bohren. Das Elektrowerkzeug ist mit einer Bremse ausgerüstet. Die Spindel stoppt sofort wenn der Hebel des Umschalter nach unten gesetzt wird. Bei zu großer Belastung während des Bohrbetriebes legen Sie eine kurze Pause ein um eine Beschädigung des Motors durch die Überlastung zu verhindern. BUR2 18Li-C HD: Betriebsarten-Umschalter (11) auf dieses Symbol stellen.</p>



Schlagbohren (BUR2 18Li-C HD)
Betriebsarten-Umschalter (11) auf dieses Symbol stellen, um Schlagbohren in Ziegeln, Beton, Fliesen u.a. auszuwählen.

GANG UMSCHALTER (Bild 5)


Der Zwei-Stufen-Umschalter für die Geschwindigkeit (2) erlaubt die Wahl des richtigen Ganges mit optimalen Geschwindigkeit und Drehmoment für die konkrete Anwendung.



WARNUNG: Wechseln Sie die Gänge nur bei ausgeschaltetem Werkzeug

1. Um einen niedrigen Gang zu wählen (niedrige Geschwindigkeit, hohes Drehmoment), schieben Sie den Gangumschalter (2) nach hinten. Umschalter markierte Ziffer **1** zeigt die gewählte Geschwindigkeit.
2. Um einen höheren Gang zu wählen (hohe Geschwindigkeit, niedriges Drehmoment), schieben Sie den Gangumschalter (2) nach vorn. Die auf dem Umschalter markierte Ziffer **2** zeigt die gewählte Geschwindigkeit.

EIN-UND AUSBAUEN EINES ARBEITS WERKZEUGES (Bild 6)




WARNUNG: Nehmen Sie die Batterie heraus oder stellen Sie den Umschalter zum Wechseln der Drehrichtung (3) in die mittlere (neutralen) Position (A).

Der Bohrschrauber ist mit einer Selbstarretierspindel versehen. Das bedeutet, dass wenn Sie das Bohrfutter per Hand drehen wollen, die Spindel automatisch blockiert. Um ein Werkzeug zu montieren oder zu demonstrieren oder seine Länge einzustellen müssen Sie das Bohrfutter festhalten und seinen Körper drehen.

- Greifen Sie die Maschine mit einer Hand ein und drehen Sie das Futter mit der anderen Hand.
- Um das Futter zu öffnen drehen Sie es im Gegenuhrzeigersinn. (B)
- Um das Futter zu schliessen drehen Sie es im Uhrzeigersinn. (D)
- Setzen Sie das Werkzeug in das Bohrfutter. (C)
- Schliessen Sie das Futter.
- Lassen Sie den Bohrschrauber einen kurzen Moment ohne Belastung laufen um zu prüfen, ob das Arbeitswerkzeug richtig zentriert ist und korrekt und sicher sitzt.

BOHRFUTTERWECHSEL



WARNUNG: Der Bohrfutterwechsel sollte nur in autorisierten Servicestellen durchgeführt werden. Bitte, versuchen Sie nicht das Futter mit verfügbarem Werkzeug zu wechseln, das kann den Akku-Bohrschrauber beschädigen.

BOHREN VON LÖCHERN

Metall bohren

- Um ein gutes Ergebnis zu erreichen, verwenden Sie Bohrer aus Schnellschneidendem Stahl für Metalle.
- Stellen Sie den Drehmomentregler (9) in die Stellung für Bohren (Symbol "Bohrer").
BUR2 18Li-C HD - Betriebsarten-Umschalter (11) in Position "Bohrer" stellen.
- Beginnen Sie langsam zu bohren, damit der Bohrer nicht abrutscht.
- Das Werkstück immer gut befestigen.
- Dünne Bleche mit Holzblöcken fixieren, damit sie nicht rutschen.
- Markieren Sie das Zentrum der Bohrung mit der Hilfe eines scharfen Gegenstands.
- Verwenden Sie ein Schmiermittel, welches für das zu bearbeitende Material geeignet ist.

Material	Schmiermittel
Stahl	Schmierfett
Aluminium	Terpentin oder Paraffin
Messing, Kupfer, Guss-eisen	Kein Schmiermittel notwendig

Kunststoff und mit Kunststoff verkleidete Spanplatten bohren

- Verwenden sie Bohrer aus schnellschneidendem Stahl.
- Lesen Sie unten den Abschnitt „Holz bohren“

Mauerwerk bohren (BUR2 18Li-C HD)

- Um ein optimales Ergebnis zu erreichen, verwenden Sie karbidgehärtete Schlagbohrer für Mauerwerk, wenn Sie Ziegelsteine, Dachziegel oder Beton bohren.
- Zum Schlagbohren den Betriebsarten-Umschalter (11) in Position "Hammer" und den Gang-Umschalter (2) in Position "2" stellen.
- Beim Bohren von Ziegelsteinen leicht drücken und eine mäßige Geschwindigkeit verwenden, um ein optimales Ergebnis zu erreichen.
- Bei harten Materialien wie Beton stärker drücken und eine hohe Geschwindigkeit verwenden.
- Beim Bohren in Dachziegeln zuerst eine Probe auf einem Stück Dachziegel machen, um die optimale Geschwindigkeit und Druck festzustellen.

Holz bohren

- Um ein gutes Ergebnis zu erreichen, verwenden Sie Bohrer aus schnellschneidendem Stahl für Holz.
- Stellen Sie den Drehmomentregler (9) in die Stellung für Bohren (Symbol "Bohrer").
BUR2 18Li-C HD - Betriebsarten-Umschalter (11) in Position "Bohrer" stellen.
- Beginnen Sie langsam zu bohren, damit der Bohrer nicht abrutscht. Die Geschwindigkeit erhöhen, wenn der Bohrer in das Material geht.
- Wenn Sie eine Durchgangsöffnung bohren, stellen Sie ein Stück Holz unter das Material, das Sie bearbeiten, um ein Zerreißen oder Aufspaltung vom hinteren Teil der Öffnung vermeiden.

Alle Bohrungsarbeiten

- Nur scharfe Bohrer benutzen.
- Zuerst mit einem Pfriem oder Nagel das Zentrum der Bohrung markieren.

SCHRAUBEN

Ein passendes Drehmoment wählen, wobei Sie eine der Zahlen, die auf dem Drehmomentregler (2) markiert sind, gegenüber dem Pfeil auf dem Gehäuse stellen. Setzen Sie den benötigten Aufsatz ein.

BUR2 18Li-C HD

Betriebsarten-Umschalter (11) in Position "Schraube" stellen.



WARTUNG: Zu starkes Festziehen kann einen Bruch der Schraube oder eine Beschädigung des Aufsatzes verursachen.



WARTUNG: Wenn man, beim Festziehen einer Schraube, die Maschine abgewinkelt gegen die Schraube hält, kann der Schraubenkopf kaputt gehen oder das Drehmoment wird sich nicht voll auf die Schraube übertragen. Halten Sie immer die Maschine und die Schraube, die Sie festziehen, auf einer Linie.

Wartung



WARTUNG: Stellen Sie immer den Umschalter für Wechseln der Drehrichtung (3) in der Mittelposition bevor sie irgendwelche Arbeiten an dem Werkzeug durchführen, wie z.B. Einbauen und Laden der Batterie, Austausch eines Arbeitswerkzeugs, Transport, Wartung oder Lagerung des Elektrowerkzeuges.

Überprüfen Sie regelmäßig, ob die Schrauben des Gehäuses gut festgezogen sind. Bei einer andauernden Anwendung können sich die Schrauben durch Vibrationen lockern.

REINIGEN

Aus Sicherheitsgründen halten Sie immer die Maschine und die Lüftungsöffnungen sauber.

Überprüfen Sie regelmäßig, ob im Lüftungsgitter in der Nähe des Motors oder um die Umschalter kein Staub oder keine Fremdkörper eingedrungen sind. Verwenden Sie eine weiche Bürste für die Entfernung des Staubs. Um Ihre Augen zu schützen, tragen Sie während der Reinigung eine Schutzbrille.

Falls der Maschinenkörper gereinigt werden soll, wischen Sie ihn mit einem weichen feuchten Tuch ab. Sie können eine schwache Spülmittellösung verwenden.



WARTUNG: Die Verwendung von Alkohol, Benzin oder andere Lösungsmittel ist untersagt. Verwenden Sie nie aggressive Mittel für die Reinigung der Kunststoffteile.



WARTUNG: Das Eindringen vom Wasser in die Maschine ist unbedingt zu vermeiden.

Anweisungen für Reinigung des Ladegeräts:



WARNUNG: Vor der Reinigung schalten Sie das Ladegerät von dem Stromnetz aus.

- Verschmutzten und verölte Aussenteile des Ladegeräts sind mit einem Tuch oder mit weicher Drahtbürste zu reinigen. Verwenden Sie dafür kein Wasser oder Lösmittel.

WICHTIG! Um eine sichere Arbeit mit dem Elektrowerkzeug und seine Zuverlässigkeit zu gewährleisten, dürfen alle Reparatur-, Wartungs- und Einstellarbeiten in den autorisierten SPARKY-Servicestellen bei Verwendung von Originalersatzteile durchgeführt werden.



Recycling

Elektrowerkzeuge, Zubehör und Verpackungen sollen einer umweltgerechten Wiederverwertung zugeführt werden.

Batterien, Ladegeräte, Zubehörteile und Verpackungen müssen zur Nutzbarmachung der darin enthaltenen Rohstoffe an die zuständigen örtlichen Stellen übergeben werden.

Nur für EU-Länder:

Werfen Sie Elektrowerkzeuge nicht in den Hausmüll! Gemäß der Europäischen Richtlinie 2012/19/EU über Elektro- und Elektronik-Altgeräte und ihrer Umsetzung in nationales Recht müssen nicht mehr gebrauchsfähige Elektrowerkzeuge getrennt gesammelt und einer umweltgerechten Wiederverwertung zugeführt werden.

Akkus/Batterien:



Werfen Sie Akkus/Batterien nicht in den Hausmüll, ins Feuer oder ins Wasser. Akkus/Batterien sollen gesammelt, recycelt oder auf umweltfreundliche Weise entsorgt werden.

Nur für EU-Länder:

Gemäß der Richtlinie 2006/66/EC müssen defekte oder verbrauchte Akkus/Batterien recycelt werden.

Garantie

Die Garantiefrist der SPARKY-Elektrowerkzeuge wird im Garantieschein bestimmt.

Schäden, die auf natürliche Abnutzung, Überlastung oder unsachgemäße Handhabung zurückzuführen sind, bleiben von der Garantie ausgeschlossen.

Schäden, die durch Material- und/oder Herstellerfehler entstanden sind, werden unentgeltlich durch Ersatzlieferung oder Reparatur beseitigt.

Beanstandungen bezüglich eines beschädigten SPARKY-Elektrowerkzeugs können nur anerkannt werden, wenn das Gerät unzerlegt (im ursprünglichen Zustand) dem Lieferanten oder der befugten Kundendienstwerkstatt vorgelegt wird.

Bemerkungen

Lesen Sie aufmerksam die ganze Betriebsanleitung durch, bevor Sie mit der Arbeit beginnen.

Der Hersteller behält sich das Recht vor, Verbesserungen und Änderungen in seinen Erzeugnissen und in den Spezifikationen ohne Voranmeldung vorzunehmen.

Die Spezifikationen können für die verschiedenen Länder unterschiedlich sein.

Table des matières

Introduction	18
Spécifications techniques	20
Avertissements de sécurité généraux pour l'outil	21
Consignes supplémentaires de sécurité lors du travail avec des perceuses sans fil	22
Description de l'outil électroportatif	23
Instructions pour le travail	23
Maintenance	25
Recyclage	26
Garantie	26

DEBALLAGE

Grâce aux techniques modernes de fabrication, il est improbable que votre outil soit défectueux ou qu'une pièce soit manquante. Si toutefois vous trouvez une anomalie, n'utilisez pas l'outil avant que les pièces aient été remplacées ou le défaut corrigé. Ne pas observer cette règle pourrait causer des blessures graves.

MONTAGE

La perceuse sans fil est livrée emballée et complètement assemblée.

Introduction

Les outils électroportatifs sont fabriqués en conformité avec les normes élevées de qualité de SPARKY. Leur utilisation est aisée et sûre. En cas d'utilisation correcte, l'outil vous servira longtemps.



AVERTISSEMENT!

Lire attentivement les instructions avant d'utiliser votre nouvel outil. Prêter attention aux sections «**Avertissement**». Votre outil électrique possède des caractéristiques qui facilitent votre travail. Cet instrument a été conçu et produit selon toutes les exigences de sécurité pour que son usage et son entretien soient faciles.



Ne pas jeter les outils électroportatifs avec les ordures ménagères!

Les déchets provenant d'outils électriques ne doivent pas être ramassés avec les ordures ménagères. Prière de recycler sur les lieux qui y sont spécialement destinés. Contacter les autorités locales ou un représentant pour des consultations concernant le recyclage.



RESPECT DE L'ENVIRONNEMENT

Récupération des matières premières plutôt qu'élimination des déchets.

En vue à la protection de l'environnement, les appareils, comme d'ailleurs leurs accessoires et emballages, doivent pouvoir suivre chacun une voie de recyclage appropriée. Nos pièces en matières artificielles ont été marquées en vue d'un recyclage sélectif des différents matériaux.

LÉGENDE

L'outil électrique porte une plaque décrivant les signes spéciaux. Ils apportent une information importante quant au produit ou des instructions d'utilisation.



Conforme aux directives européennes applicables



Prenez connaissance de l'instruction d'utilisation



Conforme aux exigences des règlements de l'Union douanière

YYYY-Www

Période de production, où les symboles variables sont les suivants:

YYYY - année de production, ww – le numéro de la semaine du calendrier



En conformité avec les exigences des standards ukrainiens

BR, BUR

PERCEUSE / VISSEUSE SANS FIL

Sur la batterie figurent des symboles spéciaux. Ils fournissent des informations importantes sur l'article ou des instructions concernant son utilisation.



Recyclage des batteries Li-Ion



Ne pas les mouiller, les préserver de l'effet de la pluie et de l'eau !



Ne pas les chauffer, ne pas les exposer à l'effet direct des rayons de soleil et du feu !



Plage de température admissible de chargement : de 0°C à +45°C

Données techniques

Modèle		BR2 18Li-C HD	BUR2 18Li-C HD*
▪ Moteur électrique:	V	18	18
▪ Vitesse à vide (I vitesse/II vitesse)	min ⁻¹	0-350/0-1350	0-350/0-1350
▪ Fréquence des coups à vide (I vitesse/II vitesse)	min ⁻¹	–	5250/20250
▪ Couple moteur maximal	Nm	40	40
▪ Réglage du couple moteur (nombre de positions du régulateur)		20+1	20+1
▪ Capacité du mandrin	mm	1,5–13	1,5–13
▪ Diamètre maximum des forets acier / bois / maçonnerie	mm	13/20/–	13/20/13
▪ Diamètre maximal des vis à bois	mm	8	8
▪ Réglage électronique de la vitesse de rotation - – à gauche – à droite		oui	oui
▪ Frein électrique		oui	oui
▪ Arbre moteur autobloquant		oui	oui
▪ Eclairage par diodes de la zone de travail		oui	oui
▪ Indication par diodes de la charge batterie		oui	oui
▪ Boîtier à deux vitesses		oui	oui
▪ Poids avec la batterie 2Ah / 4Ah (procédure EPTA 01/2014)	kg	1,3 / 1,6	1,4 / 1,6

INFORMATIONS CONCERNANT LE BRUIT ET LES VIBRATIONS

(Les valeurs sont mesurées conformément à EN 60745.)

▪ Émission de bruit:			
A-niveau pondéré de la pression sonore L _{pA}	dB(A)	72	76
Incertitude K _{pA}	dB	3	3
A-niveau pondéré de la puissance sonore L _{WA}	dB(A)	83	87
Incertitude K _{WA}	dB	3	3



Utilisez des protecteurs auditifs !

▪ **Émission de vibrations** (Les vibrations sont mesurées conformément au point 06/02/07 de EN 60745-1.)

Valeur globale des vibrations (somme vectorielle sur les trois axes), déterminée conformément à EN 60745:

Valeur d'émission vibratoire leurs du perçage à percussion a _{h, D}	m/s ²	–	9,4
Incertitude K _{h, D}	m/s ²	–	1,5
Valeur d'émission vibratoire a _{h, D}	m/s ²	< 2,5	< 2,5
Incertitude K _{h, D}	m/s ²	1,5	1,5

* Modèles à percussion

L'amplitude d' l'accélération indiquée dans ces instructions d'utilisation a été mesurée suivant les méthodes de mesurage conformément à la norme EN 60745 et peut être utilisée pour une comparaison d'appareils. Le niveau de vibration peut être utilisé pour faire une estimation provisoire du degré d'influence vibratoire.

Le niveau de vibration annoncé concerne la fonction principale de l'outil. Dans des cas où l'outil est destinée à une autre utilisation ou avec d'autres accessoires, ou s'il est mal entretenu, le niveau de vibration peut s'écarter de celui qui a été indiqué. Si c'est le cas, le degré d'influence peut fortement augmenter au cours de l'utilisation.

Pour une estimation précise de l'influence vibratoire pendant un certain temps d'utilisation, il est recommandé de prendre aussi en considération les espaces de temps pendant lesquels l'appareil est éteint ou sous tension, mais pas vraiment utilisé. Ceci peut réduire considérablement l'influence vibratoire pendant toute la durée du travail.

Entretenez l'outil et ses accessoires en bon état. Gardez vos mains chaudes au cours de son utilisation – cela va diminuer les conséquences négatives lorsque vous travaillez à des hauts degrés de vibrations.

Les poussières de matériaux tels que peintures contenant du plomb, certains bois, minéraux ou métaux, peuvent être nuisibles à la santé. Toucher ou aspirer les poussières peut entraîner des réactions allergiques et/ou des maladies respiratoires auprès de l'utilisateur ou de personnes se trouvant à proximité.

Certaines poussières telles que les poussières de chêne ou de hêtre sont considérées cancérigènes, surtout en connexion avec des additifs pour le traitement de bois (chromate, lazure). Les matériaux contenant de l'amiante ne doivent être travaillés que par des personnes qualifiées.

- Si possible, utilisez une aspiration des poussières.
- Afin d'atteindre un haut degré d'aspiration de la poussière, lors du travail avec cet outil électroportatif utilisez un aspirateur spécialement adapté pour l'aspiration de poussière de bois ou pour l'aspiration de poussière de bois et/ou poussière de minéraux.
- Veillez à bien aérer la zone de travail.
- Il est recommandé de porter un masque respiratoire de la classe de filtre P2.

Respectez les règlements en vigueur dans votre pays spécifiques aux matériaux à traiter.

Avertissements de sécurité généraux pour l'outil



AVERTISSEMENT! Lire tous les avertissements de sécurité et toutes les instructions. *Ne pas suivre les avertissements et instructions peut donner lieu à un choc électrique, un incendie et/ou une blessure sérieuse.*

Conserver tous les avertissements et toutes les instructions pour pouvoir s'y reporter ultérieurement.

Le terme «outil» dans les avertissements fait référence à votre outil électrique alimenté par le secteur (avec cordon d'alimentation) ou votre outil fonctionnant sur batterie (sans cordon d'alimentation).

1. SÉCURITÉ DE LA ZONE DE TRAVAIL

- Conserver la zone de travail propre et bien éclairée. Les zones en désordre ou sombres sont propices aux accidents.
- Ne pas faire fonctionner les outils électriques en atmosphère explosive, par exemple en présence de liquides inflammables, de gaz ou de poussières. Les outils électriques produisent des étincelles qui peuvent enflammer les poussières ou les fumées.
- Maintenir les enfants et les personnes présentes à l'écart pendant l'utilisation de l'outil. Les distractions peuvent vous faire perdre le contrôle de l'outil.

2. SÉCURITÉ ÉLECTRIQUE

- Il faut que les fiches de l'outil électrique soient adaptées au socle. Ne jamais modifier la fiche de quelque façon que ce soit. Ne pas utiliser d'adaptateurs avec des outils à branchement de terre. *Des fiches non modifiées et des socles adaptés réduiront le risque de choc électrique.*
- Éviter tout contact du corps avec des surfaces reliées à la terre telles que les tuyaux, les radiateurs, les cuisinières et les réfrigérateurs. *Il existe un risque accru de choc électrique si votre corps est relié à la terre.*
- Ne pas exposer les outils à la pluie ou à des conditions humides. *La pénétration d'eau à l'intérieur d'un outil augmentera le risque de choc électrique.*
- Ne pas maltraiter le cordon. Ne jamais utiliser le cordon pour porter, tirer ou débrancher l'outil. Maintenir le cordon à l'écart de la chaleur, du lubrifiant, des arêtes ou des parties en mouvement. *Des cordons endommagés ou emmêlés augmentent le risque de choc électrique.*
- Lorsqu'on utilise un outil à l'extérieur, utiliser un prolongateur adapté à l'utilisation extérieure. *L'utilisation d'un cordon adapté à l'utilisation extérieure réduit le risque de choc électrique.*
- Si l'usage d'un outil dans un emplacement humide est inévitable, utiliser une alimentation protégée par un dispositif à courant différentiel

résiduel (RCD). *L'usage d'un RCD réduit le risque de choc électrique.*

3. SÉCURITÉ DES PERSONNES

- Rester vigilant, regarder ce que vous êtes en train de faire et faire preuve de bon sens dans votre utilisation de l'outil. Ne pas utiliser un outil lorsque vous êtes fatigué ou sous l'emprise de drogues, d'alcool ou de médicaments. *Un moment d'inattention en cours d'utilisation d'un outil peut entraîner des blessures graves des personnes.*
 - Utiliser un équipement de sécurité. Toujours porter une protection pour les yeux. *Les équipements de sécurité tels que les masques contre les poussières, les chaussures de sécurité antidérapantes, les casques ou les protections acoustiques utilisés pour les conditions appropriées réduiront les blessures de personnes.*
 - Éviter tout démarrage intempestif. S'assurer que l'interrupteur est en position arrêt avant de brancher l'outil au secteur et/ou au bloc de batteries, de le ramasser ou de le porter. *Porter les outils en ayant le doigt sur l'interrupteur ou brancher des outils dont l'interrupteur est en position marche est source d'accidents.*
 - Retirer toute clé de réglage avant de mettre l'outil en marche. *Une clé laissée fixée sur une partie tournante de l'outil peut donner lieu à des blessures de personnes.*
 - Ne pas se précipiter. Garder une position et un équilibre adaptés à tout moment. *Cela permet un meilleur contrôle de l'outil dans des situations inattendues.*
 - S'habiller de manière adaptée. Ne pas porter de vêtements amples ou de bijoux. Garder les cheveux, les vêtements et les gants à distance des parties en mouvement. *Des vêtements amples, des bijoux ou les cheveux longs peuvent être pris dans des parties en mouvement.*
 - Si des dispositifs sont fournis pour le raccordement d'équipements pour l'extraction et la récupération des poussières, s'assurer qu'ils sont connectés et correctement utilisés. *Utiliser des collecteurs de poussière peut réduire les risques dus aux poussières.*
- ## 4. UTILISATION ET ENTRETIEN DE L'OUTIL
- Ne pas forcer l'outil. Utiliser l'outil adapté à votre application. *L'outil adapté réalisera mieux le travail et de manière plus sûre au régime pour lequel il a été construit.*
 - Ne pas utiliser l'outil si l'interrupteur ne permet pas de passer de l'état de marche à arrêt et vice versa. *Tout outil qui ne peut pas être commandé par l'interrupteur est dangereux et il faut le réparer.*
 - Débrancher la fiche de la source d'alimentation en courant et/ou le bloc de batteries de l'outil avant tout réglage, changement d'accessoires ou avant de ranger l'outil. *De telles mesures de sécurité préventives réduisent le risque de démarrage accidentel de l'outil.*
 - Conserver les outils à l'arrêt hors de la portée des enfants et ne pas permettre à des personnes ne

connaissant pas l'outil ou les présentes instructions de le faire fonctionner. *Les outils sont dangereux entre les mains d'utilisateurs novices.*

- e) **Observer la maintenance de l'outil. Vérifier qu'il n'y a pas de mauvais alignement ou de blocage des parties mobiles, des pièces cassées ou toute autre condition pouvant affecter le fonctionnement de l'outil.** *En cas de dommages, faire réparer l'outil avant de l'utiliser. De nombreux accidents sont dus à des outils mal entretenus.*
- f) **Garder affûtés et propres les outils permettant de couper.** *Des outils destinés à couper correctement entretenus avec des pièces coupantes tranchantes sont moins susceptibles de bloquer et sont plus faciles à contrôler.*
- g) **Utiliser l'outil, les accessoires et les lames etc., conformément à ces instructions, en tenant compte des conditions de travail et du travail à réaliser.** *L'utilisation de l'outil pour des opérations différentes de celles prévues pourrait donner lieu à des situations dangereuses.*

5. UTILISATION DES OUTILS FONCTIONNANT SUR BATTERIE SET PRÉCAUTIONS D'EMPLOI

- a) **Ne recharger qu'avec le chargeur spécifié par le fabricant.** *Un chargeur qui est adapté à un type de bloc de batteries peut créer un risque de feu lorsqu'il est utilisé avec un autre type de bloc de batteries.*
- b) **N'utiliser les outils qu'avec des blocs de batteries spécifiquement désignés.** *L'utilisation de tout autre bloc de batteries peut créer un risque de blessure et de feu.*
- c) **Lorsqu'un bloc de batteries n'est pas utilisé, le maintenir à l'écart de tout autre objet métallique, par exemple trombones, pièces de monnaie, clés, clous, vis ou autres objets de petite taille qui peuvent donner lieu à une connexion d'une borne à une autre.** *Le court-circuitage des bornes d'une batterie entre elles peut causer des brûlures ou un feu.*
- d) **Dans de mauvaises conditions, du liquide peut être éjecté de la batterie; éviter tout contact. En cas de contact accidentel, nettoyer à l'eau. Si le liquide entre en contact avec les yeux, rechercher en plus une aide médicale.** *Le liquide éjecté des batteries peut causer des irritations ou des brûlures.*

6. MAINTENANCE ET ENTRETIEN

- a) **Faire entretenir l'outil par un réparateur qualifié utilisant uniquement des pièces de rechange identiques.** *Cela assurera le maintien de la sécurité de l'outil.*

Consignes supplémentaires de sécurité lors du travail avec des perceuses sans fil

- Rendez-vous bien compte que cet outil électrique est toujours en état de marche, si bien qu'il n'est pas nécessaire qu'il soit branché au secteur. Mettez toujours l'interrupteur en position ARRÊT lorsque vous placez

ou que vous enlevez la batterie

- **Utilisez une protection acoustique lors du travail avec des perceuses à percussion.** *Le bruit intense émis lors du travail peut entraîner des troubles de l'audition.*
- **Utilisez toujours la poignée auxiliaire, si celle-ci est fournie avec l'appareil.** *La perte de contrôle peut entraîner un accident du travail.*
- **Tenir l'outil par les surfaces de préhension isolées, lors de la réalisation d'une opération au cours de laquelle le dispositif de serrage peut entrer en contact avec un câblage non apparent.** *Le contact avec un fil «sous tension» peut également mettre «sous tension» les parties métalliques exposées de l'outil électrique et provoquer un choc électrique sur l'opérateur.*
- Dans la mesure du possible, utilisez toujours un étrier ou un étai pour fixer le matériau traité.
- Ne touchez pas le foret immédiatement après le travail avec la perceuse. Il est brûlant.
- Lorsque vous travaillez avec une perceuse, utilisez un équipement de protection comprenant des lunettes de protection et des protecteurs auditifs. Portez un masque de protection contre la poussière si lors de l'opération de perçage se dégage de la poussière.
- La poussière se dégageant lors du traitement de certains matériaux contenant du quartz (du dioxyde de silicium) est dangereuse pour la santé. Ne jamais traiter de matériaux contenant de l'amiante.
- L'outil doit être utilisé uniquement pour les travaux pour lesquels il a été prévu. Toute autre utilisation, différente que celle décrite dans la présente notice, doit être considérée comme abusive. Le producteur décline toute responsabilité en cas de dommage ou de blessure causée par une utilisation abusive, cette responsabilité étant alors entièrement portée par l'utilisateur.
- Afin d'utiliser l'outil correctement, vous devez respecter les règles de sécurité, les consignes générales et celles concernant l'exploitation qui figurent dans le présent document. Tous les utilisateurs doivent avoir pris connaissance de cette notice d'utilisation et être informés sur les risques potentiels lors du travail avec l'outil électrique. Les enfants et les personnes ne possédant pas la force physique nécessaire ne doivent pas utiliser l'appareil. Les enfants se trouvant dans la zone de travail avec l'outil électrique doivent être sous une surveillance incessante. Il est indispensable que vous entrepreniez également des mesures de sécurité préalables. Ceci est également valable compte tenu des principales consignes concernant la salubrité et la sécurité du travail.
- Le producteur décline toute responsabilité en cas de modifications apportées à l'outil électrique ou de dommages provoqués par ces modifications.

Même lorsque l'outil est utilisé en conformité avec sa destination, il est impossible d'écartier tous les facteurs de risque. Les dangers décrits ci-dessous peuvent être engendrés par les particularités de conception et de construction de l'outil électrique.

- Problèmes concernant les poumons en cas de non utilisation d'un masque efficace contre la poussière.
- Problèmes concernant l'ouïe lorsque les mesures adéquates n'ont pas été prises.
- L'outil électroportatif ne doit pas être utilisé à l'extérieur lorsqu'il pleut, dans un milieu humide (après la pluie) ni à proximité de liquides et de gaz facilement inflammables. Le lieu de travail doit être bien éclairé.

Description de l'outil électroportatif

Avant le travail avec l'outil électroportatif, prenez connaissance des particularités de son fonctionnement et des conditions de sécurité à respecter.

L'outil électroportatif et ses accessoires doivent être utilisés uniquement pour les travaux prévus. Toute autre utilisation est strictement interdite.

1. Mandrin à serrage rapide
2. Sélecteur de vitesse
3. Sélecteur de la direction de rotation
4. Cliquets de fixation de la batterie
5. Batterie*
6. Interrupteur à gâchette
7. Indicateur de charge de la batterie par diodes émettrices de lumière
8. Eclairage par diodes de la zone de travail
9. Régulateur de couple moteur
10. Chargeur*
11. Commutateur des modes de fonctionnement

* Les accessoires décrits ou illustrés ne sont pas tous compris dans la fourniture.

Instructions pour le travail

L'outil électroportatif est conçu pour le vissage et le dévissage des vis ainsi que pour le perçage dans le bois, le métal, la céramique et les matières plastiques.

La BUR2 18Li-C HD est également conçue pour le perçage à percussion dans la brique et la maçonnerie.

PLACER ET ENLEVER UNE BATTERIE (FIG. 1)

Pour enlever la batterie : pressez sur le bouton de libération de la batterie (4) dans le sens indiqué (A), puis tirez sur celle-ci pour l'extraire du boîtier de l'appareil électrique. (B)



AVERTISSEMENT: Placez toujours le commutateur de changement du sens de rotation (3) en position centrale avant d'effectuer toute opération sur l'outil électrique, par exemple, placement et chargement d'une batterie, remplacement d'un embout, transport, maintenance ou conservation de la perceuse.

Pour la mise en place de la batterie: Introduisez celle-ci dans le logement situé à la base de l'appareil électrique et enfoncez-la jusqu'à ce que vous ayez entendu le dé clic caractéristique. (C)

INDICATEUR SIGNALANT L'ETAT DE LA BATTERIE (Fig. 2)

Pendant le travail, l'état de la batterie est contrôlé à l'aide d'un indicateur à diodes émettrices de lumière (7). Pour activer l'indicateur, pressez sur le bouton de l'interrupteur (6).

Selon le nombre de diodes émettrices de lumière qui brillent, l'état de la batterie est le suivant :

3	Capacité de la batterie : 60 - 100 %
2	Capacité de la batterie : 30 - 60 %
1	Capacité de la batterie : > 30 %
1 Voyant clignotant	Capacité de la batterie : > 20 % Il est nécessaire que la batterie soit rechargée.
Voyant clignotant	Problème concernant la batterie. L'indication est activée par pression sur la gâchette de l'interrupteur. Elle indique l'un des états suivants de la batterie : <ul style="list-style-type: none">• Batterie déchargée ► Il est nécessaire que la batterie soit rechargée ;• Protection contre la température activée ► Il est nécessaire de refroidir la batterie avant de reprendre le travail ;• Batterie endommagée ou non identifiée ► Il est nécessaire que la batterie soit remplacée.

Le sens dans lequel les diodes s'éteignent est indiqué sur le boîtier de l'outil électroportatif.

ECLAIRAGE PAR DIODES DE LA ZONE DE TRAVAIL

L'outil électroportatif est muni de diodes émettrices de lumière (8) qui servent à améliorer l'éclairage de la zone de travail lorsque ce travail a lieu dans des endroits mal éclairés. L'éclairage à diodes fonctionne tant que l'interrupteur (6) est pressé.

En cas de surcharge de l'outil électroportatif, la commande électronique peut arrêter la machine pour la protéger. Le mode sécurisé est signalé moyennant le clignotement de l'éclairage par diodes (8). Après sa remise en marche, l'outil électroportatif peut être de nouveau utilisé conformément à sa destination.

SELECTION DE LA DIRECTION DE ROTATION (Fig. 3)

La position droite extrême du commutateur de changement du sens de rotation (3) (vu de l'arrière) produit la rotation en sens antihoraire, alors que sa position gauche extrême produit la rotation en sens horaire. Lorsque l'interrupteur (6) est enfoncé, le commutateur (3) ne peut pas être déplacé.

Lorsque le sélecteur (3) est en position neutre, l'interrupteur (6) ne peut pas être pressé et la machine ne peut pas être mise en marche.



AVERTISSEMENT: Le changement du sens de rotation n'est effectué que lorsque l'arbre n'est pas en rotation.

Le perçage de trous et le vissage de vis est effectué avec le commutateur placé en position gauche extrême. Pour dévisser des vis, le levier doit être en position droite extrême.

MARCHE - ARRÊT

Mise en marche: presser sur l'interrupteur (6).

Arrêt: relâcher l'interrupteur (6).

L'outil électroportatif est doté d'un frein électrique.

L'arbre s'arrête de tourner tout de suite lorsque vous avez relâché complètement la gâchette de l'interrupteur.

REGLAGE ELECTRONIQUE PROGRESSIF DE LA VITESSE DE ROTATION



Une légère pression sur l'interrupteur (6) provoque le lancement de la perceuse à petite vitesse ; cette vitesse augmente progressivement pour atteindre son maximum au fur et à mesure qu'on augmente la pression sur l'interrupteur pour finir par l'enfoncement à fond.

REGLAGE DU COUPLE MOTEUR (Fig. 4)

Tourner la bague située derrière le mandrin, afin de fixer le régulateur (9) sur une des ses 20 positions et communiquer un couple au moteur.

Les positions du régulateur du couple moteur (9) permettent d'assurer un meilleur contrôle sur la perceuse lorsque celle-ci est utilisée comme tournevis, afin d'éviter un serrage excessif des vis.

La valeur du couple moteur est déterminée par un des chiffres gravés sur la bague. Plus le chiffre gravé sur la bague est grand, plus le couple moteur est élevé. Pour sélectionner le couple moteur approprié, faites tourner la bague jusqu'à ce que le chiffre respectif prenne place en face de la flèche figurant sur le boîtier de la perceuse.

1 ÷ 20	<p>Visser/dévisser des vis Placez le régulateur du couple moteur (9) sur une de ces 20 positions. Un couple moteur plus bas est convenable pour visser des vis d'un diamètre plus petit et ceci, dans un matériau moins dur. Un couple moteur plus élevé est convenable pour visser des vis d'un diamètre plus grand, et ceci, dans un matériau plus dur. BUR2 18Li-C HD Placez le commutateur des modes de fonctionnement (11) en face du symbole «vis».</p>
	<p>Perçage Placez le régulateur du couple moteur (9) en face de ce symbole pour sélectionner le perçage de trous dans du métal, du bois, etc. La perceuse est dotée d'un frein. L'arbre cesse de tourner immédiatement après que vous avez relâché le levier de l'interrupteur. En cas de surcharge de la perceuse en régime de perçage, libérez immédiatement l'interrupteur, afin d'éviter la surchauffe du moteur électrique lors d'un travail prolongé. BUR2 18Li-C HD Placez le commutateur des modes de fonctionnement (11) en face de ce symbole.</p>
	<p>Perçage à percussion (BUR2 18Li-C HD) Placez le commutateur des modes de fonctionnement (11) en face de ce symbole pour choisir le perçage à percussion d'orifices dans des briques, du ciment, des carreaux, etc.</p>

SELECTEUR DE VITESSE (Fig. 5)

Le sélecteur de vitesse à deux positions (2) permet de sélectionner la vitesse la mieux appropriée, assurant la

vitesse et le couple moteur les mieux convenables pour l'application concrète.



AVERTISSEMENT: Changez de vitesse uniquement lorsque la perceuse ne fonctionne pas.

1. Pour sélectionner une vitesse basse (rotation lente, couple moteur élevé), glissez le sélecteur de vitesse (2) en arrière. Le chiffre **1** figurant sur l'interrupteur indique la vitesse sélectionnée.
2. Pour sélectionner une vitesse élevée (rotation rapide, couple moteur bas), glissez le sélecteur de vitesse (2) en avant. Le chiffre **2** figurant sur l'interrupteur indique la vitesse sélectionnée.

METTRE EN PLACE ET ENLEVER UN EMBOUT (FIG. 6)



AVERTISSEMENT: Enlevez la batterie ou placez le sélecteur du sens de rotation (3) en position médiane (neutre) (A).

La perceuse est dotée d'un arbre autobloquant, ce qui signifie que si vous essayez de tourner le mandrin à la main, l'arbre se bloque automatiquement. Pour enlever l'embout ou régler sa longueur, il suffit de serrer solidement le mandrin et de faire tourner son boîtier.

- Tenez la machine d'une main et faites tourner le mandrin de l'autre.
- Pour ouvrir le mandrin, faites-le tourner en direction antihoraire. (B)
- Pour fermer le mandrin, faites-le tourner en position horaire. (D)
- Placez l'embout. (C)
- Fermez le mandrin.
- Procédez à un démarrage d'essai, pour vérifier si l'embout est correctement fixé au centre du mandrin.

REMPACEMENT DU MANDRIN



AVERTISSEMENT: Le remplacement du mandrin doit être effectué uniquement dans un centre autorisé pour le service après-vente. Prière de ne pas essayer de remplacer le mandrin à l'aide d'outils de fortune, car vous risquez d'endommager la perceuse sans fil.

PERÇAGE DE TROUS

Perçage de trous dans du métal

- Pour obtenir un bon résultat, utilisez des forets en acier à coupe rapide pour le perçage de métal ou d'acier.
- Placez le régulateur de couple moteur (9) en position de perçage « foret ».
BUR2 18Li-C HD - Placez le commutateur des modes de fonctionnement (11) en face du symbole « foret ».
- Commencez le perçage à petite vitesse pour éviter que le foret ne s'écarte du point initial.
- Fixez toujours solidement les plaques d'acier.

- Fixez les feuilles métalliques minces à l'aide de blocs de bois afin de les immobiliser.
- Utilisez un objet pointu pour marquer le centre de l'orifice à percer.
- Utilisez un liquide de coupe convenant au matériau choisi.

Matériau	Liquide de coupe
Acier	Huile lubrifiante
Aluminium	Térébenthine ou paraffine
Laiton, cuivre, fonte	Liquide non appliqué

Perçage de trous dans des matières plastiques et des agglomérés laminés

- Utilisez des forets en acier à coupe rapide.
- Consultez la section «Perçage de trous dans le bois».

Perçage de trous dans de la maçonnerie (BUR2 18Li-C HD)

- Pour l'obtention d'un résultat optimal lorsque vous percez des trous dans de la brique, des tuiles et du béton, utilisez des forets à percussion trempés au carbure, destinés au perçage dans de la maçonnerie.
- Passez au régime «perçage à percussion» en plaçant le commutateur des modes de fonctionnement (11) en face du symbole «marteau» et en mettant le sélecteur de vitesse (2) en position «2».
- En cas de perçage de briques, exercez une légère pression et utilisez une vitesse moyenne pour l'obtention d'un résultat optimal.
- Lors du traitement de matériaux durs comme le béton, exercez une pression supplémentaire et utilisez une grande vitesse.
- Lors du perçage de trous dans des tuiles, commencez par faire un essai sur un morceau de tuile inutile, afin de déterminer la vitesse et la pression appropriées.

Perçage de trous dans le bois

- Pour l'obtention d'un bon résultat, utilisez des forets en acier à coupe rapide pour le perçage dans le bois.
- Placez le régulateur de couple moteur (9) en position de perçage « foret ».
- **BUR2 18Li-C HD** - Placez le commutateur des modes de fonctionnement (11) en face du symbole « foret ».
- Commencez le perçage à petite vitesse pour éviter que le foret ne s'écarte du point initial. Accélérez lorsque le foret a pénétré en profondeur dans le matériau.
- Lorsque vous percez un orifice traversant le matériau de part en part, placez un morceau de bois sous le matériau traité afin d'éviter le déchirement ou la fissure de la partie arrière de l'orifice.

Toutes les opérations de perçages

- Utilisez uniquement des forets bien affûtés.
- Marquez préalablement le centre du trou que vous allez percer à l'aide d'un poinçon ou d'un clou.

VISSER / DEVISSER DES VIS

Sélectionnez le couple moteur convenable en plaçant un des chiffres gravés sur le régulateur du couple moteur (9) en face de la flèche figurant sur le boîtier. Placez l'embout nécessaire.

BUR2 18Li-C HD - Placez le commutateur des modes de fonctionnement (11) en face du symbole «vis».



AVERTISSEMENT: Un serrage excessif pour entraîner la rupture de la vis ou endommager l'embout.



AVERTISSEMENT: Si la machine est tenue sous un angle par rapport à la vis que l'on serre, la tête de celle-ci peut être endommagée ou le couple moteur ne pourra pas être pleinement transmis à la vis. Tenez toujours la machine et la visse à serrer bien alignés.

Maintenance



AVERTISSEMENT: Placez toujours le commutateur de changement du sens de rotation (3) en position centrale avant d'effectuer toute opération sur l'outil électrique, par exemple, pose et chargement d'une batterie, remplacement d'un embout, transport, maintenance ou conservation de la perceuse.

Vérifiez régulièrement si les vis du bootier sont solidement serrées. Suite à une longue utilisation, ces vis peuvent se relâcher sous l'effet des vibrations.

NETTOYAGE

Pour assurer un fonctionnement sécurisé, entretenez toujours l'outil et ses orifices de ventilation propres. Vérifiez régulièrement si à l'intérieur de la grille de ventilation, à proximité du moteur électrique ou autour des commutateurs ne se sont pas accumulés de la poussière et des corps étrangers. Utilisez une brosse douce pour l'élimination de la poussière accumulée. Afin de protéger vos yeux, lors des opérations de nettoyage, portez des lunettes de protection. Si le boîtier de l'outil a besoin d'être nettoyé, essuyez-le à l'aide d'un chiffon mou humide. Vous pouvez utiliser un détergent non agressif.



AVERTISSEMENT: Il est interdit d'utiliser de l'alcool, de l'essence ou d'autres solvants. N'utilisez jamais des produits agressifs pour le nettoyage des pièces en matière plastique.



AVERTISSEMENT: Ne permettez pas à de l'eau d'entrer en contact avec l'appareil.

Consignes concernant le nettoyage du chargeur:



AVERTISSEMENT: Avant le nettoyage, débranchez le chargeur du secteur.

- Les parties extérieures du chargeur salies et enduites d'huile doivent être nettoyées à l'aide d'un chiffon ou d'une brosse douce, non métallique. Ne pas utiliser à cette fin de l'eau et des détergents.

IMPORTANT! Afin d'assurer la sécurité du travail avec l'outil et le fonctionnement fiable de celui-ci, toutes les opérations de réparation, d'entretien et de réglage doivent être effectuées dans les centres d'entretien agréés de SPARKY avec l'utilisation exclusive de pièces d'origine.



Recyclage

Les outils électroportatifs, ainsi que leurs accessoires et emballages, doivent pouvoir suivre chacun une voie de recyclage appropriée.

Les batteries, les chargeurs, les accessoires et leurs emballages doivent être remis pour le recyclage des matériaux qu'ils contiennent.

Seulement pour les pays de l'Union Européenne:

Ne pas jeter les appareils électroportatifs dans les ordures ménagères! Conformément à la directive européenne 2012/19/EU relative aux déchets d'équipements électriques et électroniques et sa réalisation dans les lois nationales, les outils électroportatifs dont on ne peut plus se servir doivent être séparés et suivre une voie de recyclage appropriée.

Accus/piles :



Ne pas jeter les accus/piles dans les ordures ménagères, ni dans les flammes ou dans l'eau. Les accus/piles doivent être collectés, recyclés ou éliminés en conformité avec les réglementations se rapportant à l'environnement.

Seulement pour les pays de l'Union Européenne:

Les accus/piles usés ou défectueux doivent être recyclés conformément à la directive 2006/66/EC.

Garantie

La période de garantie des outils électroportatifs SPARKY est définie dans le contrat de garantie.

La garantie ne couvre pas les pannes apparues suite à l'usure naturelle, une surcharge ou une mauvaise exploitation.

Les pannes survenues pour cause de matériaux défectifs et/ou d'erreurs de fabrication seront réparées gratuitement ou le produit sera échangé.

Les réclamations pour un instrument SPARKY défectueux seront honorées si la machine est retournée au livreur ou est présentée à un service après-vente agréé assemblé et dans son état original (assemblée).

Notes

Lisez attentivement toute cette instruction d'utilisation avant de commencer à vous servir de l'outil.

Le producteur retient son droit d'améliorer ses produits et de changer les spécifications sans avis spécial.

Les spécifications peuvent varier selon le pays.

Indice

Introduzione	27
Dati tecnici.....	29
Avvertenze di sicurezza.....	30
Ulteriori norme di sicurezza per avvitatori/trapani a batteria.....	31
Prendere visione dell'elettro utensile.....	31
Istruzioni per l'uso.....	32
Manutenzione.....	34
Riciclaggio.....	34
Garanzia.....	35

PRIMA DELL'USO

Prima dell'uso verificare la presenza di tutti i componenti e degli accessori elencati. In caso di mancanze o apparenti difetti rivolgersi al rivenditore specializzato. L'inosservanza di tale raccomandazione potrebbe provocare gravi incidenti.

ASSEMBLAGGIO

Il trapano a batteria viene fornito imballato e completamente montato.

Introduzione

Gli utensili sono realizzati in conformità ai più alti standard di qualità della SPARKY. Il loro impiego è facile e sicuro. Se usato correttamente, l'utensile vi servirà per lungo tempo.



AVVERTENZA:

Leggere attentamente tutte le istruzioni prima dell'utilizzo dell'utensile. Leggere con cura soprattutto le parti introdotte da "Attenzione!". Questo utensile SPARKY presenta numerose caratteristiche che faciliteranno il Suo lavoro. Sicurezza, qualità ed affidabilità sono punti chiave nello sviluppo di questo utensile, e lo rendono semplice nell'uso e nella manutenzione.



Non smaltire elettro utensili insieme a rifiuti domestici!

Residui di prodotti elettrici devono essere smaltiti separatamente dai rifiuti domestici e sottoposti ad un riciclaggio ecologico. Si prega di informarsi presso le autorità locali o i rivenditori specializzati circa il più vicino luogo di raccolta.



RISPETTO DELL'AMBIENTE

Macchina, accessori ed imballaggio devono essere destinati ad una riutilizzazione ecologica per il recupero di materie prime.

I componenti in plastica sono contrassegnati per relativo riciclaggio.

SIMBOLI

L'etichetta che si trova sulla macchina contiene alcuni simboli. Questi forniscono importanti informazioni sull'utensile o istruzioni sull'uso dello stesso.



Corrisponde alle direttive europee applicabili



Prendere conoscenza delle istruzioni per l'uso



Corrisponde alle esigenze dei regolamenti dell'unione doganale

YYYY-Www

Periodo di produzione, ove i simboli variabili sono: **YYYY** – l'anno di produzione, **ww** – la settimana di calendario consecutiva



Conforme alle esigenze dei documenti normativi ucraini

BR, BUR

AVVITATORE / TRAPANO A BATTERIA

Sulla batteria sono segnati simboli speciali. Essi forniscono informazioni importanti relativi al prodotto, o istruzioni sul suo uso.



Riciclaggio di batterie Li-Ion



Non bagnare, proteggere dalla pioggia e dall'acqua!



Non riscaldare, non lasciarle all'esposizione diretta del sole o di fuoco!



Campo di temperatura consentito nel caricare 0+45°C

Dati tecnici

Modello		BR2 18Li-C HD	BUR2 18Li-C HD*
▪ Carica nominale	V	18	18
▪ Giri a vuoto, 1/2. velocità	min ⁻¹	0-350/0-1350	0-350/0-1350
▪ Colpi a vuoto, 1/2. velocità	min ⁻¹	—	5250/20250
▪ Coppia di serraggio max	Nm	40	40
▪ Regolazione coppia di serraggio		20+1	20+1
▪ Capacità mandrino	mm	1,5–13	1,5–13
▪ Diametro max di foratura in acciaio / legno / muratura	mm	13/20/—	13/20/13
▪ Diametro max della vite per legno	mm	8	8
▪ Regolazione elettronica della velocità, 2 sensi di rotazione	si	si	si
▪ Freno motore	si	si	si
▪ Mandrino autoserrante	si	si	si
▪ LED per illuminare l'area di lavoro	si	si	si
▪ Indicatore luminoso di carica	si	si	si
▪ Ingranaggi a 2 velocità	si	si	si
▪ Peso con batteria 2Ah / 4Ah (EPTA procedura 01/2014)	kg	1,3 / 1,6	1,4 / 1,6

INFORMAZIONI SULLA RUMOROSITÀ E SULLA VIBRAZIONE

(Valori determinati secondo la normativa EN 60745)

▪ Valori di emissione acustica			
Misurazione A del livello di pressione acustica L _{pA}	dB(A)	72	76
Incertezza K _{pA}	dB	3	3
Misurazione A del livello di potenza acustica L _{wA}	dB(A)	83	87
Incertezza K _{wA}	dB	3	3



Indossare cuffie di protezione!

▪ Livello di vibrazione			
<i>Valori di vibrazione totale (somma dei vettori dei tre assi) determinati secondo la normativa EN 60745:</i>			
Livello di vibrazione in modalità a percussione a _{h,D}	m/s ²	—	9,4
Incertezza K _{h,D}	m/s ²	—	1,5
Valori di vibrazione a _{h,D}	m/s ²	< 2,5	< 2,5
Incertezza K _{h,D}	m/s ²	1,5	1,5

* Modello con funzione a percussione.

Il livello di vibrazione sopra indicato è stato definito seguendo il metodo di misurazione riportato nella normativa EN 60745 e può essere utilizzato per confrontare tra di loro diversi elettroutensili. Inoltre è adatto per effettuare una stima provvisoria del livello di esposizione.

Il livello di vibrazione si riferisce alle modalità d'uso principali dell'utensile. Tuttavia, se utilizzato per scopi diversi da quelli previsti, con punte poco stabili o senza adeguata manutenzione, il livello di vibrazione può variare. Ciò può aumentare sensibilmente il livello di esposizione durante il lavoro.

Per una precisa definizione del livello di esposizione dovrebbe essere preso in considerazione anche l'arco di tempo in cui l'utensile è spento o funzionante ma non in uso. Ciò può ridurre sostanzialmente il livello di esposizione durante il lavoro.

Utilizzare l'utensile e gli accessori con cura, e maneggiarlo mantenendo le mani calde così da ridurre gli effetti dannosi dell'elevato livello di vibrazioni.

Polvere derivante da materiali come vernici contenenti particelle di piombo, alcuni tipi di legno, minerali e metallo potrebbe essere nociva. Il contatto o l'inalazione di tali polveri potrebbe causare reazioni allergiche e/o problemi al sistema respiratorio dell'utente o di terzi.

Talune tipologie di polveri, come ad esempio quella derivante da legno di quercia o faggio, soprattutto se trattati con additivi e conservanti, sono classificate come cancerogene. Si consiglia di fare trattare materiali contenenti asbesto solo a persone esperte.

- Se possibile collegare sempre la macchina ad un dispositivo di aspirazione.
- Tenere l'area di lavoro ben pulita e ventilata.
- Si consiglia l'uso di una mascherina o filtro di classe P2.

Osservare le direttive nazionali relative al materiale da lavorare.

Avvertenze di sicurezza



ATTENZIONE! Leggere tutte le istruzioni d'uso e le avvertenze di sicurezza. L'inosservanza delle istruzioni seguenti può causare folgorazioni, incendi e/o gravi danni a persone.

Conservare con cura queste istruzioni.

Il termine "utensile" in tutte le avvertenze successive si riferisce sia agli utensili collegati alla rete elettrica (con cavo di alimentazione) che agli utensili a batteria (senza cavo).

1. AREA DI LAVORO

- Mantenere l'area di lavoro pulita e ben illuminata. Le zone buie ed ingombre di oggetti favoriscono incidenti.
- Non utilizzare l'utensile in presenza di liquidi infiammabili, gas o polvere. Le scintille generate potrebbero infiammare polvere e/o vapore.
- Tenere a distanza bambini e terzi durante il funzionamento. Per una distrazione potreste perdere il controllo dell'utensile.

2. SICUREZZA ELETTRICA

- La spina dell'utensile deve essere adatta alla presa utilizzata. Non modificare la spina in alcun modo. Non utilizzare adattatori con gli utensili collegati a terra. L'impiego di una spina integra ed una presa adatta riduce i rischi di folgorazione.
- Evitare di toccare con il corpo le superfici collegate a terra quali tubi, radiatori, forni e frigoriferi. Il rischio di folgorazione aumenta se il corpo è collegato a terra.
- Non esporre l'utensile alla pioggia e all'umidità. La penetrazione d'acqua nell'utensile aumenta il rischio di folgorazione.
- Non utilizzare il cavo per scopi diversi da quello previsto. Non utilizzare il cavo per trasportare o tirare l'utensile, oppure per staccare la spina dalla presa. Tenere il cavo lontano da fonti di calore, olio, parti appuntite o in movimento. Cavi danneggiati o attorcigliati aumentano il rischio di folgorazione.
- Se l'utensile viene utilizzato all'aperto, usare una prolunga adatta all'uso esterno. L'impiego di una prolunga da esterno reduce il rischio di folgorazione.
- Se il lavoro in un ambiente umido è strettamente necessario, utilizzare una presa protetta da dispositivo a corrente residua. Ciò reduce i rischi di scosse.

3. SICUREZZA PERSONALE

- L'uso di elettroautentili richiede attenzione e buon senso. Non utilizzare gli utensili se si è stanchi o sotto l'effetto di droghe, alcol o medicinali. Una breve disattenzione può provocare gravi danni alle persone.

- Munirsi di indumenti e dispositivi di protezione. Indossare sempre occhiali da lavoro. L'uso di dispositivi di protezione tra cui mascherina antipolvere, scarpe antiscivolo, casco e protezioni per l'udito riduce il rischio di danni a persone.
- Evitare l'accensione accidentale. Accertarsi che l'interruttore sia in posizione "OFF" prima di inserire la spina. Se si trasportano gli utensili con il dito sull'interruttore o si inserisce la spina nella presa con l'interruttore in posizione "ON" aumenta il rischio di incidenti.
- Togliere tutte le chiavi di regolazione prima di accendere l'utensile. Una chiave lasciata inserita in una parte rotante di un utensile può provocare danni a persone.
- Non utilizzare l'utensile in condizioni estreme. Mantenere sempre l'equilibrio ed i piedi ben appoggiati a terra. Questo consente un maggior controllo dell'utensile in caso di imprevisti.
- Indossare un abbigliamento adeguato. Non indossare abiti svolazzanti o gioielli. Tenere capelli, vestiti, e guanti lontani dalle parti in movimento. Abiti svolazzanti, gioielli o capelli potrebbero impigliarsi nelle parti in movimento.
- In presenza di apparecchiature per il collegamento a dispositivi di aspirazione e raccolta delle polveri, accertarsi che essi siano collegati ed utilizzarli correttamente. L'uso di queste apparecchiature può ridurre i rischi causati dalla polvere.

4. USO E MANUTENZIONE DELL'UTENSILE

- Utilizzare l'utensile più adatto per il lavoro da svolgere. L'impiego dell'utensile giusto migliora la qualità del lavoro e la sicurezza.
- Non utilizzare l'utensile se non è possibile accenderlo e spegnerlo con l'apposito interruttore. Gli utensili che non possono essere controllati con l'interruttore sono pericolosi e devono essere riparati.
- Staccare la spina dall'alimentazione di corrente prima di eseguire regolazioni, cambiare accessori o riporre l'utensile. Osservando queste precauzioni si riduce il rischio di accensione accidentale dell'utensile.
- Riporre gli utensili non utilizzati fuori dalla portata dei bambini e non consentirne l'utilizzo a persone che non conoscono l'utensile o queste istruzioni. Nelle mani di persone inesperte gli utensili possono diventare pericolosi.
- Sottoporre l'utensile a manutenzione. Verificare il corretto allineamento di tutte le parti mobili, controllare che non siano grippate e che non vi siano rotture o altri guasti che potrebbero influire sul funzionamento dell'utensile. Far riparare gli utensili danneggiati prima di riutilizzarli. Molti incidenti sono causati da utensili in pessime condizioni.
- Tenere le punte e gli strumenti da taglio puliti ed affilati. Se sottoposti ad una regolare manutenzione e pulizia consentono di lavorare in modo più preciso e sono maggiormente controllabili.
- Utilizzare l'utensile, gli accessori, gli attrezzi

etc. secondo quanto indicato in queste istruzioni nonché tenendo in considerazione le condizioni di lavoro e il lavoro da eseguire. *L'impiego di utensili per scopi diversi da quelli per cui sono stati progettati può dare origine a situazioni pericolose.*

5. TRATTAMENTO ED UTILIZZO APPROPRIATO DI UTENSILI DOTATI DI BATTERIE RICARICABILI

- a) **Caricare la batteria ricaricabile solo ed esclusivamente nei dispositivi di carica consigliati dal produttore.** *Per un dispositivo di carica previsto per un determinato tipo di batteria sussiste pericolo di incendio se viene utilizzato con un tipo diverso di batteria ricaricabile.*
- b) **Avere cura d'impiegare negli elettroutensili solo ed esclusivamente batterie ricaricabili esplicitamente previste.** *L'uso di batterie ricaricabili di tipo diverso potrà dare insorgenza a lesioni e comportare il rischio d'incendi.*
- c) **Non avvicinare batterie non utilizzate a fermagli, monete, chiavi, chiodi, viti e neppure ad altri piccoli oggetti metallici che potrebbero provocare un cavallottamento dei contatti.** *Un eventuale corto circuito tra i contatti dell'accumulatore potrà dare origine a bruciate o ad incendi.*
- d) **In caso d'impiego errato si provoca il pericolo di fuoriuscita di liquido dalla batteria ricaricabile. Evitarne assolutamente il contatto. In caso di contatto accidentale, sciacquare accuratamente con acqua. Rivolgersi immediatamente al medico, qualora il liquido dovesse entrare in contatto con gli occhi.** *Il liquido fuoriuscito dalla batteria ricaricabile potrà causare irritazioni cutanee o ustioni.*

6. ASSISTENZA

- a) **Fare riparare l'elettroutensile solo ed esclusivamente da personale specializzato e solo impiegando pezzi di ricambio originali.** *In tale maniera potrà essere salvaguardata la sicurezza dell'elettroutensile*

Ulteriori norme di sicurezza per avvitatori/trapani a batteria

- Questo utensile è sempre pronto all'uso, in quanto non necessita di essere collegato ad una presa di corrente per entrare in funzione. Bloccare sempre l'interruttore in posizione "OFF" quando si rimuove o si inserisce la batteria.
- **Durante la foratura a percussione indossare sempre cuffie antirumore.** *L'eccessiva rumorosità può causare la perdita dell'udito.*
- **Utilizzare l'impugnatura supplementare fornita in dotazione.** *La perdita di controllo della macchina può causare gravi danni a persone e/o cose.*
- **Tenere l'elettroutensile soltanto per le superfici isolate destinate alla presa, nell'esecuzione di**

un'operazione durante la quale è possibile che l'accessorio tagliente tocchi un impianto elettrico nascosto. *Il contatto dell'accessorio tagliente con un filo sotto tensione metterà le parti metalliche dell'elettroutensile sotto tensione e provocherà una scossa elettrica all'operatore.*

- Se possibile fissare sempre il pezzo da forare con morsetti o con una morsa a vite.
- Non toccare la punta dopo l'uso, essendo questa surriscaldata.
- Si consiglia l'uso di cuffie o tappi per le orecchie. In caso di ambiente di lavoro polveroso indossare una mascherina antipolvere.
- La polvere che si crea lavorando materiali contenenti quarzo (biossido di silicio) è dannosa per la salute. Non lavorare materiali contenenti amianto.
- Non utilizzare la macchina per scopi diversi da quelli indicati in queste istruzioni. L'uso per qualsiasi altra finalità sarà considerato uso improprio. In tal caso sarà l'utente e non l'azienda produttrice ritenuto responsabile di eventuali danni o lesioni.
- Per un utilizzo corretto di questo elettroutensile è necessario osservare le avvertenze di sicurezza, le norme supplementari e le istruzioni d'uso fornite in questo opuscolo. Tutti gli utenti della macchina devono aver letto queste istruzioni e devono essere a conoscenza degli eventuali rischi. Bambini e persone di corporatura debole non devono maneggiare l'utensile. Bambini nelle vicinanze dell'area di lavoro devono essere tenuti sotto stretto controllo. È assolutamente necessario attenersi alle disposizioni di prevenzione dagli infortuni, così come alle norme di sicurezza sul lavoro vigenti nella Sua area.
- L'azienda produttrice non è responsabile per eventuali modifiche apportate all'utensile da parte dell'utente o per danni causati da tali modifiche.

Persino un uso corretto dell'utensile non preclude tutti gli ulteriori rischi. I seguenti rischi potrebbero derivare da particolarità costruttive o dalla progettazione:

- danni ai polmoni, in caso di mancato uso di un'efficace mascherina antipolvere
- danni all'udito, in caso di mancato uso di efficaci cuffie di protezione.
- Non usare l'elettroutensile all'aperto quando piove, in un ambiente umido (dopo una pioggia), o in vicinanza di liquidi o gas infiammabili. Mantenere il posto di lavoro ben illuminato.

Prendere visione dell'elettroutensile

Prima di cominciare il lavoro con l'elettroutensile, prendere conoscenza di tutte le caratteristiche operative e condizioni di sicurezza.

Usare l'elettroutensile e i suoi accessori soltanto secondo la destinazione d'uso. Qualsiasi altro impiego è espressamente vietato.

1. Mandrino a serraggio rapido
2. Commutatore dei settori di velocità
3. Commutatore per inversione del senso di rotazione
4. Tasto di sblocco della batteria
5. La batteria*
6. Interruttore
7. Indicatore della batteria a diodi elettroluminescenti

8. Illuminazione a diodi elettroluminescenti dell'area di lavoro
9. Regolatore della coppia
10. Caricabatterie*
11. Commutatore dei regimi di funzionamento

* L'accessorio illustrato oppure descritto non è compreso nel volume di fornitura standard.

Istruzioni per l'uso

L'elettrotensile è idoneo per avvitare e svitare viti nonché per forare nel legname, metallo, ceramica e plastica. Il BUR2 18Li-C HD è adatto inoltre per eseguire forature battenti in mattoni e muratura.

INSERIRE ED ESTRARRE LA BATTERIA

(FIG. 1)

Per estrarre la batteria: premere il tasto di sblocco della batteria (4) nella direzione indicata (A), ed estrarla fuori dalla carcassa dell'apparecchio.(B)



ATTENZIONE: Prima di iniziare qualsiasi operazione con la macchina (inserimento ed estrazione della batteria, cambio della punta, lavori di manutenzione, etc.) spostare sempre l'interruttore per il senso di rotazione (3) in posizione centrale.

Per estrarre la batteria: Porre la batteria alla base dell'apparecchio e spingerla fino a sentire lo scatto caratteristico. (C)

INDICAZIONE DELLO STATO DELLA

BATTERIA (Fig. 2)

Lo stato della batteria durante il lavoro viene controllato da un indicatore a diodi elettroluminescenti (7). Per attivare l'indicatore, premere il pulsante dell'interruttore (6).

A seconda del numero di diodi elettroluminescenti illuminati, Lo stato della batteria è come segue:

3	Capacità della batteria: 60 - 100%
2	Capacità della batteria: 30 - 60%
1	Capacità della batteria: < 30%
1 Luce lampeggiante	Capacità della batteria: < 20%. È necessario caricare la batteria.
Luce lampeggiante	<p>Problema con la batteria. L'indicazione viene attivata con la levetta dell'interruttore premuta. Ciò indica uno dei seguenti stati della batteria:</p> <ul style="list-style-type: none"> ▪ Batteria esausta ► È necessario caricare la batteria; ▪ La protezione termica è scattata ► È necessario raffreddare la batteria prima di ricominciare il lavoro; ▪ Batteria danneggiata o batteria non riconosciuta ► È necessario sostituire la batteria.

Il senso di spegnimento dei diodi elettroluminescenti è indicato sul corpo dell'elettrotensile.

ILLUMINAZIONE A DIODI ELETTROLUMINESCENTI DELL'AREA DI LAVORO

L'elettrotensile è munito di illuminazione a diodi elettroluminescenti (8) per aumentare l'illuminazione dell'area di lavoro quando si opera in luoghi che non sono abbastanza illuminati. L'illuminazione a diodi elettroluminescenti sta inserita finché l'interruttore (6) è premuto.

A sovraccarico eccessivo dell'apparecchio, il comando elettronico può spegnere la macchina per proteggerla. La modalità di funzionamento protettivo viene segnalata con lampeggiamento dell'illuminazione a LED (8). Dopo il riavvio l'apparecchio può essere di nuovo usato conformemente alla sua destinazione.

SCEGLIERE IL SENSO DI ROTAZIONE (Fig. 3)

La posizione estrema destra del commutatore per invertire il senso di rotazione (3) (guardando da dietro) significa rotazione in senso antiorario, e quella estrema sinistra - in senso orario. Se si preme l'interruttore (6), il commutatore (3) non può essere azionato.

Con il commutatore (3) messo nella posizione neutra, l'interruttore (6) non può essere premuto e la macchina non può essere messa in azione.



ATTENZIONE: Effettuare il cambio del senso di rotazione soltanto quando l'alberino non gira.

Per praticare fori e stringere viti si usa un interruttore, disposto nella posizione estrema sinistra. Allentamento di viti viene fatto con l'interruttore nella posizione estrema destra.

AVVIAMENTO - ARRESTO

Avviamento: premere l'interruttore (6).

Arresto: rilasciare l'interruttore (6).

L'elettrotensile è munito di un freno elettrico. L'alberino smette di girare immediatamente dopo il completo rilascio della leva dell'interruttore.

REGOLAZIONE ELETTRONICA CONTINUA DEL NUMERO DEI GIRI



Premerendo lievemente il pulsante (6) si mette in moto il trapano a giri bassi, i quali aumentano dolcemente fino al massimo con l'aumento della pressione sull'interruttore, finché si arrivi alla posizione estrema.

REGOLAZIONE DELLA COPPIA (Fig. 4)

Girare l'anello sul mandrino, per mettere il regolatore (9) in una di 20 posizioni, ed impostare la coppia.

Le posizioni del regolatore della coppia (9) permettono un migliore controllo sull'elettrotensile, quando viene usato come cacciavite, evitando così l'eccessivo stringimento delle viti.

La grandezza della coppia viene indicata con una delle cifre segnate intorno all'anello. Quanto maggiore è la cifra segnata sull'anello, tanto maggiore è la coppia. Per scegliere una coppia adatta, girare l'anello finché la rispettiva cifra non si posi contro la freccia sul corpo del trapano.

1 ÷ 20	<p>Avvitare/svitare Selezionare il valore di coppia desiderato ruotando l'anello di regolazione (9). Per il lavoro con viti strette o materiali morbidi si consiglia un valore di coppia basso. Per il lavoro con viti larghe o materiali duri si consiglia un valore di coppia elevato</p> <p>BUR2 18Li-C HD Porre il commutatore della modalità di funzionamento (11) contro il simbolo di "vite".</p>
	<p>Foratura Assicurarsi che l'anello di regolazione (9) sia posizionato sul simbolo "FORATURA". L'utensile è munito di un freno motore, pertanto l'alberino si ferma non appena cessa la pressione sull'interruttore ON/OFF (5). In caso di sovraccarico rilasciare immediatamente l'interruttore (5) per evitare il surriscaldamento del motore.</p> <p>BUR2 18Li-C HD Porre il commutatore della modalità di funzionamento (11) contro questo simbolo.</p>
	<p>Foratura a percussione (BUR2 18Li-C HD) Porre il commutatore della modalità di funzionamento (11) contro questo simbolo, per selezionare la perforazione a percussione in mattoni, cemento, piastrelle, ecc.</p>

COMMUTATORE DI VELOCITÀ (Fig. 5)

Il commutatore di velocità a due gradi (2) permette una scelta della trasmissione più adatta con velocità e coppia ottimali per l'applicazione concreta.



ATTENZIONE: Cambiare le marce soltanto a trapano disinserito.

1. Per scegliere una marcia bassa (velocità bassa, coppia alta) far scivolare il commutatore dei settori di velocità (2) indietro. La cifra segnata sul commutatore **1** indica la velocità scelta.
2. Per scegliere una marcia alta (velocità alta, coppia bassa) far scivolare il commutatore delle velocità (2) in avanti. La cifra segnata sul commutatore **2** indica la velocità scelta.

METTERE E TOGLIERE UNA PUNTA (Fig. 6)



ATTENZIONE: Tirare fuori la batteria o mettere il commutatore per inversione del senso di rotazione (3) nella posizione media (neutrale) (A).

Il trapano è munito di alberino autobloccante, e ciò significa che se ci cerca di girare il mandrino a mano, l'alberino si blocca automaticamente. Per togliere o regolare la lunghezza della punta, è necessario tenere stretto il mandrino e girare il suo corpo.

- Afferrare la macchina con una mano e girare il mandrino con l'altra.
- Per aprire il mandrino, girarlo in senso antiorario. (B)
- Per chiudere il mandrino, girarlo in senso orario. (D)

- Mettere la punta. (C)
- Chiudere il mandrino.
- Eseguire una messa in moto sperimentale, per verificare se la punta sia fissata correttamente nel centro del mandrino.

CAMBIO DEL MANDRINO



ATTENZIONE: Il cambio del mandrino va effettuato solamente in un centro assistenza autorizzato. Si prega di non cambiare il mandrino con arnesi a portata di mano, siccome così si potrebbe danneggiare il trapano a batteria.

PRATICARE FORI

Praticare fori in metallo

- Per ottenere un buon risultato, usare punte in acciaio rapido per metallo o acciaio.
- Mettere il regolatore della coppia (9) nella posizione di foratura "punta".
BUR2 18Li-C HD - Porre il commutatore della modalità di funzionamento (11) contro il simbolo di "punta"
- Cominciare la foratura a bassa velocità, affinché la punta non scivoli dal posto iniziale.
- Serrare sempre bene i fogli di acciaio.
- Fissare i fogli sottili di metallo con blocchetti di legno, per non spostarsi.
- Usare un oggetto acuto, per segnare il centro del foro da praticare.
- Usare un lubrificante, adatto per il materiale lavorato.

Materiale	Liquido lubrificante
Acciaio	Olio lubrificante
Alluminio	Trementina o paraffina
Ottone, rame, ghisa	Non si usa liquido lubrificante

Praticare fori in plastica e truciolato rivestito di plastica

- Usare punte in acciaio rapido.
- Leggere qui di seguito la sezione "Praticare fori in legno".

Foratura in cemento (BUR2 18Li-C HD)

- Per un risultato ottimale di foratura in mattoni, tegole e calcestruzzo utilizzare esclusivamente punte rivestite in metallo duro.
- Passare alla modalità di "foratura a percussione", girando il commutatore della modalità di funzionamento a fermarsi contro il simbolo di "martello", e collocando il commutatore delle gamme di marce (2) nella posizione "2".
- Esercitare maggiore pressione ed utilizzare una velocità elevata per materiali duri come cemento.
- Prima di forare le tegole effettuare una prova per determinare la velocità e la pressione ottimali.

Praticare fori in legno

- Per ottenere un buon risultato, usare punte in acciaio rapido per forare in legno.
- Mettere il regolatore della coppia (9) nella posizione di foratura "punta".
BUR2 18Li-C HD - Porre il commutatore della moda-

- lità di funzionamento (11) contro il simbolo di “punta”
- Cominciare la foratura a bassa velocità, affinché la punta non slitti dal posto iniziale. Aumentare la velocità quando la punta penetra nel materiale.
 - Quando si pratica un foro passante, porre un pezzo di legno sotto il materiale lavorato, per prevenire lacerazione o spaccatura della parte posteriore del foro.

Tutte le operazioni di foratura

- Usare soltanto punte acute.
- Segnare in anticipo il centro del foro da praticare, con un punteruolo o chiodo.

STRINGERE / ALLENTARE VITI

Scegliere una coppia adatta, mettendo una delle cifre segnate sul regolatore della coppia (9), contro la freccia sul corpo.

Mettere la punta necessaria.

BUR2 18Li-C HD - Porre il commutatore della modalità di funzionamento (11) contro il simbolo di “vite”.



ATTENZIONE: L'eccessivo stringimento può causare la rottura della vite o danneggiare la punta.



ATTENZIONE: Se la macchina viene tenuta sotto un angolo rispetto alla vite che viene stretta, si può danneggiare la testa della vite, ossia la coppia non sarà trasmessa interamente alla vite. Tenere sempre la macchina e la vite sotto stringimento allineate.

Manutenzione



ATTENZIONE: Prima di iniziare qualsiasi operazione con la macchina (inserimento ed estrazione della batteria, cambio della punta, lavori di manutenzione, etc.) spostare sempre l'interruttore per il senso di rotazione (3) in posizione centrale.

Verificare regolarmente che tutte le viti della cuffia siano fissate saldamente. Dopo un uso prolungato potrebbero infatti allentarsi a causa delle vibrazioni.

PULIZIA

Per poter garantire buone e sicure operazioni di lavoro, tenere la macchina e le fessure di ventilazione sempre pulite.

Verificare regolarmente che polvere o altri corpi estranei non siano penetrati nelle fessure di ventilazione o attorno agli interruttori. Utilizzare uno spazzolino morbido per rimuovere la polvere depositatasi. Proteggere gli occhi durante la pulizia indossando occhiali da lavoro

Per pulire la macchina utilizzare un panno umido. È possibile utilizzare un leggero detersivo.



ATTENZIONE! Non utilizzare alcol, benzina o altri solventi. È sconsigliato l'uso di detersivi aggressivi per la pulizia delle parti in plastica.



ATTENZIONE! Evitare il contatto della macchina con l'acqua.

PULIZIA DEL CARICABATTERIA



ATTENZIONE: Disinserire la spina dalla presa di corrente prima di pulire la caricabatteria.

- Per rimuovere polvere o grasso dalle parti esterne utilizzare un panno o uno spazzolino morbido. Non utilizzare acqua o altri detersivi.

IMPORTANTE! Per garantire la sicurezza e l'affidabilità dell'utensile, riparazioni, lavori di manutenzione ed altre regolazioni (incluso il controllo e l'eventuale sostituzione delle spazzole) devono essere effettuate da centri di assistenza SPARKY autorizzati, dove vengono adoperate solo parti originali.



Riciclaggio

Macchina, accessori ed imballaggio devono essere destinati ad una riutilizzazione ecologica per il recupero di materie prime.

Le batterie, i caricabatterie, gli accessori e i loro imballaggi devono essere smaltiti per riutilizzazione delle materie prime contenute in essi.

Per i paesi EU:

Non smaltire elettrodomestici e/o caricabatteria insieme a rifiuti domestici! Residui di prodotti elettrici devono essere smaltiti separatamente dai rifiuti domestici e sottoposti ad un riciclaggio ecologico secondo la direttiva 2012/19/EU.

Batterie:



Non smaltire la batteria insieme ad altri rifiuti domestici, non infiammarla né gettarla in acqua. Ogni tipo di batteria deve essere riciclata rispettando rigorosamente le norme a tutela ambientale.

Solo per i Paesi della CE:

Ogni tipo di batteria difettosa oppure esaurita deve essere riciclata secondo la direttiva 2006/66/EC.

Garanzia

Il periodo di garanzia per gli utensili SPARKY ha validità a partire dalla data di acquisto ed è conforme alle normative europee.

Non sono coperti da garanzia danni derivanti da usura, sovraccarico o uso improprio.

L'azienda produttrice assicura la sostituzione di tutte le parti non funzionanti in cui si riconoscano difetti di materiale e/o di lavorazione.

Le prestazioni di garanzia saranno erogate solo se la macchina richiesta sarà inviata in condizioni integre al rivenditore o ad un centro di assistenza, accompagnata dallo scontrino fiscale.

Ulteriori informazioni

Leggere attentamente tutte le istruzioni sull'uso prima di adoperare questo prodotto.

L'azienda produttrice si riserva il diritto di apportare modifiche tecniche senza preavviso.

Le specifiche tecniche possono variare da paese a paese.

Contenido

Introducción	36
Datos técnicos	38
Advertencias generales de seguridad de la herramienta	39
Normas adicionales de seguridad durante el trabajo con taladros atornilladores a batería	40
Componentes de la herramienta eléctrica	40
Instrucciones de trabajo	41
Mantenimiento	43
Reciclaje	44
Garantía	44

DESEMBALAJE

Debido a la moderna tecnología de producción en masa, es poco probable que su herramienta sea defectuosa o que falte una pieza. Si encuentra algo mal, no trabaje con la herramienta hasta que se haya puesto la pieza o se haya arreglado la avería. El incumplimiento de esta indicación puede provocar un grave daño personal.

ENSAMBLAJE

El taladro atornillador a batería se suministra envasado y completamente ensamblado.

Introducción

Las herramientas han sido elaboradas en conformidad con las altas normas de calidad de SPARKY. Su uso es fácil y seguro. Si se emplea correctamente, esta herramienta le servirá durante largo tiempo.



AVISO!

Lea detenidamente todo el Manual de instrucciones antes de usar su nueva herramienta SPARKY. Preste especial atención a los **Avisos**. Su herramienta SPARKY tiene muchas funciones que harán más rápido y seguro su trabajo. La seguridad, el funcionamiento y la fiabilidad son las mayores prioridades del desarrollo de esta herramienta, lo que la hace fácil de mantener y manejar.



No tire los productos eléctricos a la basura!

Los productos eléctricos no se deben tirar a la basura. Por favor recíclelos en el lugar adecuado. Póngase en contacto con su ayuntamiento o con una empresa de reciclaje.



PROTECCIÓN MEDIOAMBIENTAL

El aparato, sus accesorios y embalaje deberán separarse para reciclarse cada uno por su lado. Los componentes de plástico llevan una etiqueta del tipo de reciclado.

DESCRIPCIÓN DE LOS SÍMBOLOS

La placa de su herramienta puede contener símbolos, que representan información importante sobre el producto o instrucciones de uso.



Conformidad con las directrices europeas aplicables



Conozca las instrucciones de explotación



Cumple con las regulaciones de la Unión Aduanera

YYYY-Www

Período de producción en que los símbolos variables son:
YYYY - año de producción,
ww – semana natural consecutiva



Compatible con los requisitos de los documentos normativos ucranianos

BR, BUR

TALADRO ATORNILLADOR A BATERÍA

En la batería se han marcado unos símbolos especiales. Estos símbolos brindan información importante acerca del producto o instrucciones para su explotación.



Reciclaje de baterías Li-Ion



¡No mojar!
¡Protéjase de la lluvia y del agua!



¡No calentar! ¡Protéjase de la exposición directa al sol y al fuego!



Banda de temperatura de carga admisible: 0+45°C

Datos técnicos

Modelo		BR2 18Li-C HD	BUR2 18Li-C HD*
▪ Motor eléctrico:	V	18	18
▪ Velocidad en marcha en vacío (I velocidad / II velocidad)	min ⁻¹	0-350/0-1350	0-350/0-1350
▪ Frecuencia de las percusiones en marcha en vacío (I velocidad / II velocidad)	min ⁻¹	–	5250/20250
▪ Momento rotatorio máximo	Nm	40	40
▪ Regulación del momento rotatorio (número de posiciones del regulador)		20+1	20+1
▪ Anchura del mandril	mm	1,5–13	1,5–13
▪ Diámetro máximo de la broca para acero/ madera/ mampostería	mm	13/20/–	13/20/13
▪ Diámetro máximo del tornillo para madera	mm	8	8
▪ Regulación electrónica de las revoluciones, marcha izquierda - derecha	sí	sí	sí
▪ Freno eléctrico	sí	sí	sí
▪ Broca de autocierre	sí	sí	sí
▪ Iluminación de diodo luminiscente de la zona de trabajo	sí	sí	sí
▪ Indicación de diodo luminiscente para la carga	sí	sí	sí
▪ Transmisión de dos velocidades	sí	sí	sí
▪ Peso con batería 2Ah / 4Ah (EPTA procedimiento 01/2014)	kg	1,3 / 1,6	1,4 / 1,6

INFORMACIÓN SOBRE EL RUIDO Y LAS VIBRACIONES

(Los valores están medidos en conformidad con EN 60745.)

▪ Emisión del ruido:			
A-nivel medido de presión acústica L _{pA}	dB(A)	72	76
Indeterminación K _{pA}	dB	3	3
A-nivel medido de potencia acústica L _{WA}	dB(A)	83	87
Indeterminación K _{WA}	dB	3	3



¡Utilícense medios de protección del ruido!

▪ **Emisión de vibraciones** (Las vibraciones están determinadas en conformidad con el punto 6.2.7 de EN 60745)

Valor total de vibraciones (suma vectorial de los tres ejes) determinada en conformidad con EN 60745:

Valor de las vibraciones emitidas en acción de percusión a _{n,D}	m/s ²	–	9,4
Indeterminación K _{n,D}	m/s ²	–	1,5
Valor de las vibraciones emitidas a _{n,D}	m/s ²	< 2,5	< 2,5
Indeterminación K _{n,D}	m/s ²	1,5	1,5

* Los modelos son de acción de percusión

El nivel de emisión indicado en la presente información ha sido medido de acuerdo con un ensayo estandarizado recogido en EN 60745 y puede usarse para comparar una herramienta con otra. Puede utilizarse para un informe preliminar de exposición.

El nivel de emisión de vibraciones declarado se aplica a las principales aplicaciones de la herramienta. De todos modos, si la herramienta se utiliza para aplicaciones diferentes, con accesorios diferentes o pobremente mantenida, la emisión de vibraciones puede variar. Esto puede aumentar significativamente el nivel de exposición durante el tiempo total de trabajo.

Una estimación del nivel de exposición a la vibración también debería tener en cuenta el tiempo en que la máquina está apagada o cuando está en marcha, pero no trabajando. Esto puede reducir de forma importante el nivel de exposición durante el tiempo total de trabajo.

Mantenga la herramienta, los accesorios y sus propias manos calientes mientras trabaje con el taladro, con el fin de reducir el doloroso efecto de las vibraciones.

Polvos de materiales como por ejemplo pinturas que contienen plomo, ciertos tipos de madera, minerales y meta II pueden ser nocivos para la salud. El contacto o la inhalación de los polvos puede provocar reacciones alérgicas y/o problemas de respiración del usuario o personas que se encuentren en su cercanía.

Ciertos polvos como polvo de roble o encina se consideran cancerígenos, especialmente en combinación con aditivos para el tratamiento de madera (cromato, agentes de protección de materia). Materiales con asbesto solamente deben ser tratados por personas especializadas.

- Si posible, utilice un dispositivo de aspiración de polvo.
- Para obtener un alto grado de colección de polvo durante el trabajo con esta herramienta eléctrica use una aspiradora adecuada para polvo de madera y polvo mineral.
- Mantenga bien ventilado el lugar de trabajo.
- Se recomienda llevar una máscara de protección de polvo con clase de filtro P2.

Respete los reglamentos vigentes en su país para los materiales a tratar.

Advertencias generales de seguridad de la herramienta

⚠ AVISO! Lea todos los avisos de seguridad y todas las instrucciones. El hecho de no seguir los avisos e instrucciones puede provocar una descarga eléctrica, fuego y/o un daño grave.

Guarde en lugar seguro todos los avisos e instrucciones para futuras consultas.

El término "herramienta" de los avisos se refiere a su herramienta eléctrica con cable o a batería.

1. SEGURIDAD DE LA ZONA DE TRABAJO

- Mantenga limpia y bien iluminada su zona de trabajo. Las zonas sucias u oscuras pueden provocar accidentes.
- No trabaje con la herramienta en ambientes explosivos, como en presencia de líquidos inflamables, gases o polvo. Las herramientas producen chispas que pueden provocar la ignición del polvo o de los gases.
- Las distracciones pueden provocar pérdidas de control.

2. SEGURIDAD ELÉCTRICA

- Los enchufes de la herramienta tienen que coincidir con la toma de corriente. No utilice adaptadores con herramientas en contacto con el suelo (enterradas). Los enchufes y tomas sin modificar reducirán el riesgo de descarga eléctrica.
- Evite el contacto corporal con superficies con contacto a tierra, como tuberías, radiadores, cocinas y frigoríficos. Hay un aumento del riesgo de descarga eléctrica si su cuerpo está en contacto con el suelo o enterrado.
- No exponga las herramientas a la lluvia o a la humedad. Si entra agua en la herramienta se aumentará el riesgo de descarga.
- No haga un uso indebido del cable. No utilice nunca el cable para llevar, tirar de o desconectar la herramienta. Mantenga el cable lejos del calor, de aceites, bordes afilados o piezas sueltas. Los cables dañados o enredados aumentan el riesgo de descarga eléctrica.
- Cuando trabaje con la herramienta al aire libre, utilice una alargadera apropiada para uso al aire libre. Utilizar un cable para exteriores reduce el riesgo de descarga eléctrica.
- Si es inevitable trabajar con la herramienta en un sitio húmedo, utilice un dispositivo de corriente residual (RCD) protegido. Utilizar un RCD reduce el riesgo de descarga eléctrica.

3. SEGURIDAD PERSONAL

- Permanezca atento a lo que está haciendo y haga caso del sentido común cuando trabaje con una herramienta. No utilice la herramienta cuando esté cansado o bajo la influencia de

las drogas, el alcohol o de medicación. Una pequeña falta de atención cuando se está trabajando con herramientas puede provocar un grave daño personal.

- Utilice equipos de protección personal. Lleve siempre un protector para los ojos. El equipamiento de protección, como mascarilla, zapatos de seguridad antideslizantes, casco o protección para los oídos, utilizado correctamente, reducirá los daños personales.
- Evite el arranque accidental. Al coger o llevar la herramienta, asegúrese de que el interruptor esté en la posición de apagado antes de conectar la herramienta a la red eléctrica o de poner la batería. Llevar las herramientas con el dedo en el interruptor o activar las herramientas con el interruptor encendido puede provocar accidentes.
- Retire las llaves de ajuste antes de encender la herramienta. Dejar una llave cerca de una pieza rotatoria de la herramienta puede provocar un daño personal.
- No se precipite. Mantenga los pies y la posición correcta en todo momento. Esto posibilita un mejor control de la herramienta en situaciones inesperadas.
- Lleve la ropa apropiada. No lleve ropa suelta o joyas. Mantenga el cabello, la ropa y los guantes lejos de piezas móviles. La ropa suelta, las joyas o el pelo largo pueden resultar atrapados por piezas móviles.
- Si las herramientas están equipadas para conectar el extractor de polvo y dispositivos de recoger el polvo, asegúrese de que estén conectados y se usen correctamente. El uso del dispositivo de recogida de polvo puede reducir el riesgo ocasionado por el mismo.

4. USO Y CUIDADO DE LA HERRAMIENTA

- No fuerce la herramienta. Utilice la herramienta adecuado para cada aplicación. La herramienta correcta hará mejor y más seguro el trabajo para el que fue diseñada.
- No utilice la herramienta si el interruptor no la enciende y apaga. Toda herramienta que no pueda controlarse con el interruptor es peligrosa y deberá ser reparada.
- Desconecte el enchufe de la toma de corriente y/o la batería de la herramienta antes de hacer cualquier ajuste, cambio de accesorios o guardar las herramientas. Tales medidas preventivas de seguridad reducen el riesgo de encenderse accidentalmente la herramienta.
- Mantenga las herramientas que no utilice fuera del alcance de los niños y no permita manejar la herramienta a personas que no estén familiarizadas con la herramienta, o que no conozcan las instrucciones. Las herramientas son peligrosas en manos de personas no familiarizadas con su uso.
- Teniendo en cuenta las condiciones de trabajo y el trabajo a realizar. Utilizar la herramienta para acciones diferentes a las de su uso prescrito puede provocar situaciones peligrosas.

5. TRATO Y USO CUIDADOSO DE HERRAMIENTAS ACCIONADAS POR ACUMULADOR

- a) **Solamente cargar los acumuladores con los cargadores recomendados por el fabricante.** *Existe un riesgo de incendio al intentar cargar acumuladores de un tipo diferente al previsto para el cargador.*
- b) **Solamente emplee los acumuladores previstos para la herramienta eléctrica.** *El uso de otro tipo de acumuladores puede provocar daños e incluso un incendio.*
- c) **Si no utiliza el acumulador, guárdelo separado de clips, monedas, llaves, clavos, tornillos o demás objetos metálicos que pudieran puentear sus contactos.** *El cortocircuito de los contactos del acumulador puede causar quemaduras o un incendio.*
- d) **La utilización inadecuada del acumulador puede provocar fugas de líquido. Evite el contacto con él. En caso de un contacto accidental enjuagar el área afectada con abundante agua. En caso de un contacto con los ojos recurra además inmediatamente a un médico.** *El líquido del acumulador puede irritar la piel o producir quemaduras.*

5. SERVICIO

- a) **Únicamente haga reparar su herramienta eléctrica por un profesional, empleando exclusivamente piezas de repuesto originales.** *Solamente así se mantiene la seguridad de la herramienta eléctrica.*

Normas adicionales de seguridad durante el trabajo con taladros atornilladores a batería

- Deberá ser consciente de que la herramienta eléctrica siempre está en estado de funcionamiento, dado que no es necesario que esté constantemente conectada a la red. Ponga siempre el interruptor en posición "DESCONECTADO" cuando esté colocando o retirando la batería.
- **Utilídense medios de protección auditivos durante el trabajo con taladros atornilladores de percusión.** *El ruido intenso durante el trabajo podrá ocasionar daños auditivos.*
- **Utilice siempre una agarradera adicional en caso de que haya sido suministrada con la máquina.** *La pérdida de control podrá ocasionar un accidente de trabajo.*
- **Sostenga la herramienta eléctrica solamente por las superficies de sujeción aisladas al realizar una operación en la que el accesorio cortante pueda rozar con una instalación eléctrica oculta.** *El roce del accesorio cortante con un cuerpo conductor bajo tensión pondrá las partes metálicas de la herramienta eléctrica al descubierto bajo tensión y el operador sufrirá electrocución.*
- Siempre que sea posible, utilice abrazaderas o mordazas para fijar el material en procedimiento.

- No toque la broca inmediatamente después de trabajar con el taladro atornillador, ya que está muy caliente.
- Cuando trabaje con un taladro atornillador, utilice equipos de protección que incluyen gafas protectoras y antifonos. Lleve máscara contra el polvo cuando en la operación de perforación se desprenda polvo.
- El polvo desprendido durante la elaboración de los materiales que contienen cuarzo (dióxido de silicio) es nocivo para la salud. No se han de procesar materiales que contengan asbesto.
- La herramienta eléctrica deberá utilizarse sólo conforme a su destinación. Cualquier otro uso distinto del que se describe en estas instrucciones se considerará uso incorrecto. La responsabilidad por cada avería o lesión como resultado del uso incorrecto, se asumirá por el usuario, y no por el fabricante.
- Para explotar correctamente esta herramienta eléctrica, deberá tomar en consideración las normas de seguridad y las instrucciones y directrices generales de trabajo que se indican aquí. Cada usuario debe conocer estas instrucciones de explotación e informarse acerca de los riesgos a la hora de trabajar con la herramienta eléctrica. La herramienta eléctrica no deberá usarse por menores ni por personas que son físicamente débiles. Si se encuentran cerca del lugar de funcionamiento de la herramienta eléctrica, los menores deberán estar bajo vigilancia permanente. Es obligatorio asimismo que se emprendan medidas de seguridad preventivas. Lo mismo se refiere también al respetar las normas básicas de salud profesional y seguridad.
- El fabricante no asume responsabilidad en cuanto a las modificaciones efectuadas por el usuario sobre la herramienta eléctrica o las averías que son provocadas por semejante tipo de modificaciones.

Incluso cuando la herramienta eléctrica se utiliza conforme a su destinación, es imposible que se eliminen todos los remanentes factores de riesgo. Los peligros enumerados más adelante podrán producirse en relación con las particularidades constructivas y el diseño de la herramienta eléctrica.

- Si no se utiliza una máscara eficiente contra el polvo, podrán surgir problemas con los pulmones.
- Si no se toman medidas efectivas de protección, podrán surgir problemas de carácter auditivo.
- La herramienta eléctrica no debe usarse al aire libre cuando esté lloviendo, en un entorno húmedo (después de llover) o cerca de líquidos y gases fácilmente inflamables. El puesto de trabajo debe estar bien iluminado.

Componentes de la herramienta eléctrica

Antes de empezar a trabajar con la herramienta eléctrica, infórmese sobre todas las particularidades operativas y las condiciones de seguridad.

Utilice la herramienta eléctrica y sus accesorios sólo según el fin con que han sido concebidos. Queda terminantemente prohibida cualquier otra aplicación.

1. Mandril de sujeción rápida
2. Conmutador de las bandas de velocidad
3. Conmutador para cambiar el sentido de rotación

4. Botón de liberación de la batería
5. Batería*
6. Interruptor
7. Indicador de diodo luminiscente de la batería
8. Iluminación de diodo luminiscente de la zona de trabajo
9. Regulador del momento rotatorio
10. Cargador de batería*
11. Conmutador de los regímenes de operación

* Los accesorios descritos e ilustrados no corresponden al material que se adjunta de serie.

Instrucciones de trabajo

La herramienta eléctrica ha sido diseñada para apretar y aflojar tornillos, así como para taladrar madera, metal, cerámica y plástico.

La BUR2 18Li-C HD ha sido diseñada además para taladrar con percusión en ladrillo y mampostería.

COLOCAR Y RETIRAR LA BATERÍA (FIG. 1)

Para retirar la batería: apriete el botón para desbloquear la batería (4) en el sentido indicado (A) y tírela hacia afuera del cuerpo de la herramienta eléctrica. (B)



ADVERTENCIA: Coloque siempre el conmutador para cambiar el sentido de rotación (3), en posición media, antes de llevar a cabo cualquier acción sobre la herramienta eléctrica, por ejemplo, para colocar y cargar la batería, sustituir un terminal, para el traslado, servicio o para guardar la herramienta eléctrica.

Para colocar la batería: Coloque la batería en la base de la herramienta eléctrica y deslícela hasta oír el chasquido característico. (C)

INDICADOR DEL ESTADO DE LA BATERÍA

(Fig. 2)

Durante el trabajo, el estado de la batería se controla mediante el indicador de diodo luminiscente (7). Para activar el indicador, apriete el botón del interruptor (6). Según el número de diodos luminiscentes que se han iluminado, el estado de la batería es el siguiente:

3	Capacidad de la batería: 60 - 100%
2	Capacidad de la batería: 30 - 60%
1	Capacidad de la batería: < 30%
1 Luz intermitente	Capacidad de la batería: < 20%. La batería debe cargarse.
Luz intermitente	<p>Problema con la batería. La indicación es activada cuando el gatillo del interruptor está apretado. Indica uno de los estados siguientes de la batería:</p> <ul style="list-style-type: none"> ▪ Batería descargada ► La batería debe cargarse; ▪ Se ha activado la protección de la temperatura ► La batería debe enfriarse antes de empezar a trabajar de nuevo; ▪ La batería se ha averiado o no ha sido reconocida ► La batería debe sustituirse.

El sentido en que apagan los diodos luminiscentes se ha indicado en el cuerpo de la herramienta eléctrica.

ILUMINACIÓN DE DIODO LUMINISCENTE DE LA ZONA DE TRABAJO

La herramienta eléctrica está provista de iluminación de diodo luminiscente (8) para potenciar la iluminación de la zona de trabajo cuando se esté operando en lugares de poca luz. La iluminación de diodo luminiscente está conectada cuando el interruptor (6) está apretado.

SELECCIÓN DEL SENTIDO DE ROTACIÓN

(Fig. 3)

La posición extrema derecha del conmutador de los regímenes de operación (3) (vista desde atrás) significa que la rotación se efectúa en el sentido inverso de la aguja del reloj, y la posición extrema izquierda significa que la rotación es en el sentido de la aguja del reloj. Al apretar el interruptor (6), el conmutador (3) no podrá activarse.

Siendo el conmutador para cambiar el sentido de rotación (3) puesto en posición neutral, el interruptor (6) no puede ser presionado y la herramienta no se puede accionar.



ADVERTENCIA: El cambio del sentido de rotación deberá realizarse únicamente cuando el husillo no esté girando.

Los agujeros se perforan y los tornillos se enroscan cuando el conmutador se encuentra en posición extrema izquierda. Los tornillos se desenroscan cuando el conmutador está en posición extrema derecha.

CONEXIÓN – DESCONEXIÓN

Conexión: apriete el interruptor (6).

Desconexión: afloje el interruptor (6).

La herramienta eléctrica está provista de un freno eléctrico. El husillo deja de girar inmediatamente después de que la palanca del interruptor se haya aflojado completamente.

REGULACIÓN ELECTRÓNICA PROGRESIVA DE LAS REVOLUCIONES

Al apretar ligeramente el interruptor (6), el taladro se pondrá en funcionamiento en revoluciones bajas, que, al apretar con mayor fuerza el interruptor, irán aumentando paulatinamente hasta las máximas y hasta llegar a la posición extrema.



REGULACIÓN DEL MOMENTO ROTATORIO

(Fig. 4)

Gire el anillo que se encuentra detrás del mandril para colocar el regulador (9) en una de las 20 posiciones y programar el momento rotatorio.

Las posiciones del regulador del momento rotatorio (9) permiten un mejor control sobre la herramienta eléctrica cuando se utilice como destornillador, evitando así el apriete excesivo de los tornillos.

La dimensión del momento rotatorio se indica con una de las cifras marcadas en torno al anillo. Cuanto mayor sea la cifra que se indica en el anillo tanto mayor será el momento rotatorio. Gire el anillo hasta que la respectiva cifra se sitúe ante la flecha en el cuerpo del taladro para seleccionar el momento adecuado.

1 ÷ 20	<p>Enroscar/desenroscar tornillos Coloque el regulador del momento rotatorio (9) en una de estas 20 posiciones. El momento rotatorio más bajo es adecuado para enroscar tornillos de menor diámetro y en un material menos sólido. El momento rotatorio más alto es adecuado para enroscar tornillos de mayor diámetro y en un material más sólido. BUR2 18Li-C HD Ponga el conmutador de los regímenes de operación (11) en frente del símbolo "tornillo"</p>
	<p>Perforación Coloque el regulador del momento rotatorio (9) frente a este símbolo para seleccionar la perforación de agujeros en metal, madera, etc. La herramienta eléctrica está provista de un freno. El husillo deja de girar inmediatamente después de aflojar la palanca del interruptor. Al sobrecargar la herramienta eléctrica en régimen de perforación, libere inmediatamente el interruptor para evitar que el motor eléctrico se sobrecaliente al trabajar continuamente. BUR2 18Li-C HD Ponga el conmutador de los regímenes de operación (11) en frente de este símbolo.</p>
	<p>Perforación de percusión (BUR2 18Li-C HD) Ponga el conmutador de los regímenes de operación (11) en frente de este símbolo para escoger perforación a percusión de orificios en ladrillos, cemento, azulejos, etc.</p>

CONMUTADOR DE VELOCIDADES (Fig. 5)

El conmutador de velocidades de dos potencias (2) permite seleccionar la transmisión más adecuada a una velocidad óptima y con un momento rotatorio de aplicación concreta.



ADVERTENCIA: Cambie las transmisiones sólo cuando el taladro esté apagado.

- Deslice el conmutador de las bandas de velocidad (2) hacia atrás para seleccionar una transmisión baja (baja velocidad, alto momento rotatorio). La cifra 1 marcada en el conmutador indica la velocidad seleccionada.
- Deslice el conmutador de las bandas de velocidad (2) hacia adelante para seleccionar una transmisión alta (alta velocidad, bajo momento rotatorio). La cifra 2 marcada en el conmutador indica la velocidad seleccionada.

COLOCAR Y RETIRAR EL TERMINAL (Fig. 6)



ADVERTENCIA: Saque la batería o coloque el conmutador para cambiar el sentido de rotación (3) en posición (A) media (neutral).

El taladro está equipado de un husillo de autocierre lo

que significa que, si se intenta girar el mandril manualmente, el husillo quedará bloqueado de forma automática. Para retirar o regular la longitud del terminal, sólo es necesario apretar fuertemente el mandril y hacer girar su cuerpo.

- Sujete la máquina con una mano y haga girar el mandril con la otra.
- Para abrir el mandril, hágalo girar en el sentido inverso de la aguja del reloj. (B)
- Para cerrar el mandril, hágalo girar en el sentido de la aguja del reloj. (D)
- Coloque el terminal. (C)
- Cierre el mandril.
- Haga una puesta en marcha de prueba para averiguar si el terminal ha sido fijado correctamente en el centro del mandril.

CAMBIO DEL MANDRIL



ADVERTENCIA: El cambio del mandril debe efectuarse solamente en un centro de servicio autorizado. Por favor, no intente cambiar el mandril con las herramientas que tiene a mano, ya que podrá dañarse el taladro atornillador a batería.

PERFORACIÓN DE AGUJEROS

Perforación de agujeros en metal

- Utilice brocas de acero de corte rápido para metal o acero a fin de obtener buenos resultados.
- Coloque el regulador del momento rotatorio (9) en la posición de perforación "broca".
BUR2 18Li-C HD - Ponga el conmutador de los regímenes de operación (11) en frente del símbolo "taladro".
- Empiece la perforación a una velocidad baja para que la broca no se deslice del punto inicial.
- Sujete siempre fuertemente las hojas de acero.
- Fije las hojas metálicas finas mediante pequeños bloques de madera para que no se muevan.
- Utilice un objeto agudo para marcar el centro del agujero a perforar.
- Utilice un líquido lubricante apropiado para el material que se está procesando.

Material	Líquido lubricante
Acero	Aceite lubricante
Aluminio	Trementina o parafina
Latón, cobre, hierro colado	No se emplea líquido lubricante

Perforación de agujeros en plástico y fibrolita revestida de plástico

- Utilice brocas de acero de corte rápido.
- Lea más abajo el apartado "Perforación de agujeros en madera".

Perforación en mampostería (BUR2 18Li-C HD)

- Para obtener un resultado óptimo, utilice brocas de mampostería templadas en carburo al perforar agujeros en ladrillos, tejas y hormigón.
- Pase al régimen de "perforación de percusión", ha-

ciendo girar el conmutador de los regímenes de operación (11) a frente del símbolo "martillo", estableciendo el conmutador de los rangos de velocidad (3) en la posición "2".

- Al perforar ladrillos, ejerza una pequeña presión y utilice una velocidad moderada para obtener un resultado óptimo.
- Para los materiales sólidos, como el hormigón, aplique una presión adicional y utilice una alta velocidad.
- Al perforar agujeros en las tejas, haga primero una prueba sobre un pedazo de teja inútil para determinar la velocidad y la presión más adecuadas.

Perforación de agujeros en madera

- Utilice brocas de acero de corte rápido para hacer perforaciones en madera a fin de obtener buenos resultados.
- Coloque el regulador del momento rotatorio (9) en la posición de perforación "broca".
BUR2 18Li-C HD - Ponga el conmutador de los regímenes de operación (11) en frente del símbolo "taladro".
- Empezee a perforar a una velocidad baja para que la broca no se deslice del punto inicial. Aumente la velocidad cuando la broca se haya introducido en el material.
- Coloque un pedazo de madera debajo del material que se está procesando a fin de evitar que se rompa o se parta la parte posterior del agujero cuando perforo un agujero de paso.

Todas las operaciones de perforación

- Utilice sólo brocas agudas.
- Marque previamente el centro del agujero que se va a perforar con un punzón o un clavo.

ENROSCAR / DESENROSCAR TORNILLOS

Selecione el momento rotatorio apropiado, colocando una de las cifras marcadas en el regulador del momento rotatorio (9) frente a la flecha sobre el cuerpo.

Coloque el terminal necesario.

BUR2 18Li-C HD - Ponga el conmutador de los regímenes de operación (11) en frente del símbolo "tornillo"



ADVERTENCIA: El apriete excesivo podrá conducir a que el tornillo se rompa o que el terminal se dañe.



ADVERTENCIA: Si la máquina se sostiene bajo un ángulo hacia el tornillo que se está apretando, el cabezal del tornillo podrá dañarse o el momento rotatorio no será transmitido completamente al tornillo. Mantenga siempre la máquina y el tornillo de apriete nivelados a una misma línea.

Mantenimiento



ADVERTENCIA: Coloque siempre el conmutador para cambiar el sentido de rotación (3) en posición media antes de realizar cualquier actividad con la herramienta eléctrica, por ejemplo, colocar y cargar la batería, cambiar el terminal, transporte, servicio o para guardar la herramienta eléctrica.

Revise con regularidad si los tornillos del cuerpo están bien apretados. Durante un trabajo continuo, los tornillos podrán aflojarse a causa de las vibraciones.

LIMPIEZA

Para un trabajo seguro, mantenga siempre limpias la máquina y los orificios de ventilación.

Revise con regularidad que en la rejilla de ventilación, cerca del motor eléctrico o alrededor de los conmutadores, no se hayan infiltrado polvo o cuerpos ajenos. Utilice un cepillo suave para eliminar el polvo acumulado. Lleve gafas protectoras para proteger sus ojos durante la limpieza.

Si el cuerpo de la máquina necesita limpieza, límpielo con un paño suave y húmedo. Podrá utilizarse un suave detergente de limpieza.



ADVERTENCIA: No se podrán utilizar alcohol, gasolina u otros disolventes. Para limpiar las piezas de plástico, no utilice nunca detergentes corrosivos.



ADVERTENCIA: El agua no debe entrar en contacto con la máquina.

INSTRUCCIONES PARA LIMPIAR EL CARGADOR DE BATERÍA



ADVERTENCIA: Antes de limpiar, desconecte el cargador de batería de la red de alimentación.

Las partes externas, sucias y engrasadas del cargador de batería, se han de limpiar con un paño o un cepillo suave, no metálico. Con este propósito, no utilice agua ni disoluciones de limpieza.

¡IMPORTANTE! Para garantizar un trabajo seguro con la herramienta eléctrica y su fiabilidad, todas las acciones relativas a la reparación, el mantenimiento y la regulación se han de efectuar en centros de servicio autorizados de SPARKY, utilizando sólo piezas de recambio originales.



Reciclaje

El aparato, sus accesorios y embalaje deberán separarse para reciclarse cada uno por su lado.

Las baterías, los cargadores, los accesorios y sus envases se deberán entregar para aprovechar las materias primas que contienen.

Para los países EU:

Los productos eléctricos no se deben tirar a la basura. Conforme a la Directiva Europea 2012/19/EU, deberán acumularse por separado las herramientas eléctricas para ser sometidas a un reciclaje ecológico.

Baterías:



Las baterías no se deben tirar a la basura, prenderlas fuego ó arrojarlas en agua. Todos los tipos de baterías deberán guardarse y reciclarse ó eliminarse de manera ecológica.

Sólo para los países de la UE:

Conforme a la directiva 2006/66/EC deberán reciclarse los acumuladores/pilas defectuosos o agotados.

Garantía

El periodo de garantía de las herramientas SPARKY aparece indicado en la hoja de garantía.

Los daños debido a llevar ropa normal, a sobrecargas o manejo indebido se excluirán de la garantía.

Los daños debido al uso de materiales defectuosos, así como a defectos en la hechura serán subsanados libres de gastos por medio de sustitución o reparación.

Se reconocerán las quejas por herramientas SPARKY defectuosas si la máquina se devuelve al distribuidor o si se entrega al servicio autorizado de garantía sin desmontar, en su estado inicial.

Notas

Lea atentamente todo el manual del uso antes de utilizar este producto.

El fabricante se reserva el derecho a cambiar las especificaciones sin previo aviso.

Las especificaciones pueden ser distintas de país a país.

Conteúdo

Introdução	45
Dados técnicos	47
Indicações gerais de advertência para ferramentas eléctricas	48
Regras adicionais de segurança do trabalho com aparafusadoras sem fio	49
Conhecimento do instrumento eléctrico	50
Instruções para o trabalho	50
Manutenção	52
Reciclagem	53
Garantia	53

DESEMBALAGEM

De acordo com as tecnologias de produção geralmente utilizadas, é pouco provável o novo instrumento eléctrico que Você adquiriu ser ineficiente ou lhe faltar alguma peça. Mesmo assim, se Você verificar que qualquer coisa não está bem, não trabalhe com o instrumento, enquanto a peça ineficiente não for substituída, ou a imperfeição não ficar eliminada. O não acatamento desta recomendação é capaz de provocar um acidente de trabalho grave.

ENSAMBLAGEM

As aparafusadoras sem fio fornecem-se empacotadas e completamente embaladas.

Introdução

As ferramentas são produzidas em conformidade com as altas normas de qualidade da SPARKY. São de manuseio fácil e não envolvem perigo. Se for utilizada de forma adequada, a ferramenta servirá por muito tempo.

ATENÇÃO!



Leia atentamente toda a instrução para o uso, antes de começar a trabalhar com o seu novo instrumento eléctrico SPARKY. Preste especial atenção aos textos que começam com a palavra “**Atenção**”. O seu instrumento eléctrico SPARKY possui qualidades que hão de facilitar o seu trabalho. Ao ser fabricado este instrumento eléctrico, maior atenção foi prestada à segurança, às qualidades de exploração e à fiabilidade, as quais fazem dele um instrumento fácil de manutenção e de exploração.



Não deitar o instrumento eléctrico para o lixo comum!

Os resíduos de aparelhos eléctricos não se devem misturar com o lixo comum. Mande-os para reciclagem nos lugares destinados a isso. Ponha-se em contacto com as autoridades locais ou com um representante para consultar a forma de reciclagem.



PROTECÇÃO DO MEIO AMBIENTE

Visando a protecção do meio ambiente, o instrumento eléctrico, os seus acessórios e embalagem têm-de-ser submetidos a uma adequada reelaboração para serem novamente utilizadas as matérias primas contidas neles.

Para facilitar a reciclagem, as peças feitas de materiais sintéticos levam a respectiva denotação.

DESCRIÇÃO DOS SÍMBOLOS

Sobre a chapa com os dados do instrumento eléctrico estão denotados os símbolos especiais que fornecem importante informação sobre o artefacto ou recomendações para o seu uso.



Conformidade com as directrizes europeias aplicáveis



Conheça a instrução de exploração



Está conforme com as exigências dos regulamentos da União Alfandegária

YYYY-Www

Período de fabrico, onde os símbolos variáveis são: YYYY - ano de fabrico, ww – a respectiva semana corrente do calendário



Conformidade com as exigências dos documentos normativos ucranianos

BR, BUR

APARAFUSADORA SEM FIO

Sobre a pilha figuram símbolos especiais. Eles fornecem uma informação importante sobre a pilha ou instruções para o seu uso.



Reciclagem de Li-Ion pilhas



Não molhar, proteger de chuva e de água!



Não aquecer, proteger da luz solar directa e do fogo!



Faixa de temperatura admissível da carga 0+45°C

Dados técnicos

Modelo		BR2 18Li-C HD	BUR2 18Li-C HD*
▪ Motor eléctrico:	V	18	18
▪ Velocidade a marcha ao ralenti (I velocidade/II velocidade)	min ⁻¹	0-350/0-1350	0-350/0-1350
▪ Frequência do impacto ao ralenti (I velocidade/II velocidade)	min ⁻¹	—	5250/20250
▪ Torque máximo	Nm	40	40
▪ Regulação do torque (número de posições do regulador)		20+1	20+1
▪ Alcance do chuck	mm	1,5–13	1,5–13
▪ Diâmetro máximo da broca para aço / madeira / alvenaria	mm	13/20/—	13/20/13
▪ Diâmetro máximo do parafuso para madeira	mm	8	8
▪ Regulação electrónica das revoluções, marcha à esquerda - à direita		sim	sim
▪ Travão eléctrico		sim	sim
▪ Parafuso de auto-eixo		sim	sim
▪ Iluminação LED da zona de trabalho		sim	sim
▪ Indicação LED da carga		sim	sim
▪ Transmissão a duas velocidades		sim	sim
▪ Peso com pilha 2Ah / 4 Ah (EPTA procedimento 01/2014)	kg	1,3 / 1,6	1,4 / 1,6

INFORMAÇÃO SOBRE RÚÍDO E VIBRAÇÕES (Os valores foram determinados de acordo com EN 60745.)

▪ Emanação de ruído:			
A- nível calculado de pressão sonora L_{pA}	dB(A)	72	76
Ambiguidade K_{pA}	dB	3	3
A- nível calculado de potência sonora L_{wA}	dB(A)	83	87
Ambiguidade K_{wA}	dB	3	3



Utilize meios de protecção contra o ruído!

▪ **Emanação de vibrações (As vibrações foram determinadas de acordo com m. 6.2.7 na EN 60745-1)**

Valor global das vibrações (soma vetorial pelos três eixos), determinado de acordo com EN 60745:

Valor das vibrações à percussão $a_{h,D}$	m/s ²	—	9,4
Ambiguidade $K_{h,D}$	m/s ²	—	1,5
Valor das vibrações emanadas $a_{h,D}$	m/s ²	< 2,5	< 2,5
Ambiguidade $K_{h,D}$	m/s ²	1,5	1,5

* Os modelos são de percussão

O nível das vibrações, indicado nesta instrução, foi determinado com base no teste indicado por EN 60745 e pode ser utilizado para a comparação de instrumentos eléctricos. O nível das vibrações pode ser utilizado para a avaliação prévia do grau de impacto.

O nível das vibrações declarado refere-se à destinação principal do instrumento. Caso o instrumento eléctrico seja utilizado para outros fins, ou forem utilizados outros acessórios, ou o instrumento não for bem tratado, o nível das vibrações diferenciar-se-á do declarado. Em tais casos o nível do impacto pode crescer consideravelmente dentro do período laboral total.

Ao avaliar o nível de impacto das vibrações, é preciso considerar também o tempo em que o instrumento está desligado, ou está ligado, mas sem funcionar. Tal pode diminuir consideravelmente o nível do impacto dentro do período laboral total.

Mantenha o instrumento eléctrico e os acessórios em bom estado. Cuide as mãos quentes durante o trabalho – isto vai diminuir o efeito nocivo do trabalho com instrumentos de vibração elevada.

O pó resultante do processamento dos materiais tais como pinturas com conteúdo de chumbo, certos tipos de madeiras, minerais e metais, pode ser nocivo para a saúde. O contacto directo ou a aspiração do pó pode causar reacções alérgicas e/ou doenças das vias respiratórias do trabalhador ou das pessoas que se encontram perto dele.

Alguns tipos de pó, por exemplo o de carvalho ou de faia consideram-se carcinogénicos, sobretudo em combinação com ingredientes utilizados no processamento da madeira, tais como cromato ou conservantes. O material que contém amianto tem-de ser processado só por especialistas.

- Para conseguir um alto grau de despoejamento ao trabalhar com este instrumento eléctrico, utilize aspiradora de pó destinada a captar pó de madeira ou pó de partículas minerais.
- Garanta a boa ventilação do posto de trabalho.
- Recomenda-se o uso de máscara protectora contra o pó com filtro da classe P2.

Cumpra as regras vigentes no Seu país referentes ao processamento dos diferentes materiais.

Indicações gerais de advertência para ferramentas eléctricas



ATENÇÃO! Devem ser lidas todas as indicações de advertência e todas as instruções. O desrespeito das advertências e instruções apresentadas abaixo pode causar choque eléctrico, incêndio e/ou graves lesões.

Guarde bem todas as advertências e instruções para futura referência.

O termo “Ferramenta eléctrica” utilizado a seguir nas indicações de advertência, refere-se a ferramentas eléctricas operadas com corrente de rede (com cabo de rede) e a ferramentas eléctricas operadas com bateria (sem cabo de rede).

1. SEGURANÇA DA ÁREA DE TRABALHO

- Mantenha a sua área de trabalho sempre limpa e bem iluminada. Desordem ou áreas de trabalho insuficientemente iluminadas podem levar a acidentes.
- Não trabalhar com a ferramenta eléctrica em áreas com risco de explosão, nas quais se encontrem líquidos, gases ou pós inflamáveis. Ferramentas eléctricas produzem faíscas, que podem inflamar pós ou vapores.
- Manter crianças e outras pessoas afastadas da ferramenta eléctrica durante a utilização. No caso de distração é possível que perca o controlo sobre o aparelho.

2. SEGURANÇA ELÉCTRICA

- A ficha de conexão da ferramenta eléctrica deve caber na tomada. A ficha não deve ser modificada de maneira alguma. Não utilizar uma ficha de adaptação junto com ferramentas eléctricas protegidas por ligação a terra. Fichas não modificadas e tomadas apropriadas reduzem o risco de um choque eléctrico.
- Evitar que o corpo possa entrar em contacto com superfícies ligadas a terra, como tubos, aquecimentos, fogões e frigoríficos. Há um risco elevado devido a um choque eléctrico, se o corpo estiver ligado a terra.
- Manter o aparelho afastado de chuva ou humidade. A infiltração de água numa ferramenta eléctrica aumenta o risco de choque eléctrico.
- Não deverá utilizar o cabo para outras finalidades. Jamais utilizar o cabo para transportar a ferramenta eléctrica, para pendurá-la, nem para puxar a ficha da tomada. Manter o cabo afastado de calor, óleo, cantos afiados ou partes do aparelho em movimento. Cabos danificados ou emaranhados aumentam o risco de um choque eléctrico.
- Se trabalhar com uma ferramenta eléctrica ao ar livre, só deverá utilizar cabos de extensão

apropriados para áreas exteriores. A utilização de um cabo de extensão apropriado para áreas exteriores reduz o risco de um choque eléctrico.

- Se não for possível evitar o funcionamento da ferramenta eléctrica em áreas húmidas, deverá ser utilizado um disjuntor de corrente de avaria. A utilização de um disjuntor de corrente de avaria reduz o risco de um choque eléctrico.

3. SEGURANÇA DE PESSOAS

- Esteja atento, observe o que está a fazer e tenha prudência ao trabalhar com a ferramenta eléctrica. Não utilizar uma ferramenta eléctrica quando estiver fatigado ou sob a influência de drogas, álcool ou medicamentos. Um momento de descuido ao utilizar a ferramenta eléctrica, pode levar a lesões graves.
- Utilizar equipamento de protecção pessoal e sempre óculos de protecção. A utilização de equipamento de protecção pessoal, como máscara de protecção contra pó, sapatos de segurança antiderrapantes, capacete de segurança ou protecção auricular, de acordo com o tipo e aplicação da ferramenta eléctrica, reduz o risco de lesões.
- Evitar uma colocação em funcionamento involuntária. Assegure-se de que a ferramenta eléctrica esteja desligada, antes de conectá-la a alimentação de rede e/ou ao acumulador, antes de levantá-la ou de transportá-la. Se tiver o dedo no interruptor ao transportar a ferramenta eléctrica ou se o aparelho for conectado a alimentação de rede enquanto estiver ligado, poderão ocorrer acidentes.
- Remover ferramentas de ajuste ou chaves de boca antes de ligar a ferramenta eléctrica. Uma ferramenta ou chave que se encontre numa parte do aparelho em movimento pode levar a lesões.
- Evite uma posição anormal. Mantenha uma posição firme e mantenha sempre o equilíbrio. Desta forma é mais fácil controlar a ferramenta eléctrica em situações inesperadas.
- Usar roupa apropriada. Não usar roupa larga nem jóias. Mantenha os cabelos, roupas e luvas afastadas de partes em movimento. Roupas frouxas, cabelos longos ou jóias podem ser agarrados por peças em movimento.
- Se for possível montar dispositivos de aspiração ou de recolha, assegure-se de que estejam conectados e utilizados correctamente. A utilização de uma aspiração de pó pode reduzir o perigo devido ao pó.

4. UTILIZAÇÃO E MANUSEIO CUIDADOSO DE FERRAMENTAS ELÉCTRICAS

- Não sobrecarregue o aparelho. Utilize a ferramenta eléctrica apropriada para o seu trabalho. É melhor e mais seguro trabalhar com a ferramenta eléctrica apropriada na área de potência indicada.
- Não utilizar uma ferramenta eléctrica com um interruptor defeituoso. Uma ferramenta eléctrica que não pode mais ser ligada nem desligada, é perigosa e deve ser reparada.
- Puxar a ficha da tomada e/ou remover o acumulador antes de executar ajustes no aparelho, de

substituir acessórios ou de guardar o aparelho. Esta medida de segurança evita o arranque involuntário da ferramenta eléctrica.

- d) Guardar ferramentas eléctricas não utilizadas fora do alcance de crianças. Não permita que pessoas que não estejam familiarizadas com o aparelho ou que não tenham lido estas instruções, utilizem o aparelho. *Ferramentas eléctricas são perigosas se forem utilizadas por pessoas inespertas.*
- e) Tratar a ferramenta eléctrica com cuidado. Controlar se as partes móveis do aparelho funcionam perfeitamente e não emperram, e se há peças partidas ou danificadas que possam prejudicar o funcionamento da ferramenta eléctrica. Permitir que peças danificadas sejam reparadas antes da utilização. *Muitos acidentes têm como causa, a manutenção insuficiente de ferramentas eléctricas.*
- f) Manter as ferramentas de corte afiadas e limpas. *Ferramentas de corte cuidadosamente tratadas e com cantos de corte afiados emperram com menos frequência e podem ser conduzidas com maior facilidade.*
- g) Utilizar a ferramenta eléctrica, acessórios, ferramentas de aplicação, etc. conforme estas instruções. Considerar as condições de trabalho e a tarefa a ser executada. *A utilização de ferramentas eléctricas para outras tarefas a não ser as aplicações previstas, pode levar a situações perigosas.*

6. MANUSEIO E UTILIZAÇÃO CUIDADOSOS DE FERRAMENTAS COM ACUMULADORES

- a) Só carregar acumuladores em carregadores recomendados pelo fabricante. *Há perigo de incêndio se um carregador apropriado para um certo tipo de acumuladores for utilizado para carregar acumuladores de outros tipos.*
- b) Só utilizar ferramentas eléctricas com os acumuladores apropriados. *A utilização de outros acumuladores pode levar a lesões e perigo de incêndio.*
- c) Manter o acumulador que não está sendo utilizado afastado de cliques, moedas, chaves, parafusos ou outros pequenos objectos metálicos que possam causar um curto-circuito dos contactos. *Um curto-circuito entre os contactos do acumulador pode ter como consequência queimaduras ou fogo.*
- d) No caso de aplicação incorrecta pode vaziar líquido do acumulador. Evitar o contacto. No caso de um contacto accidental, deverá enxaguar com água. Se o líquido entrar em contacto com os olhos, também deverá consultar um médico. *Líquido que escapa do acumulador pode levar a irritações da pele ou a queimaduras.*

6. SERVIÇO

- a) Só permita que o seu aparelho seja reparado por pessoal especializado e qualificado e só com peças de reposição originais. Desta forma e assegurado o funcionamento seguro do aparelho.

Regras adicionais de segurança do trabalho com aparafusadoras sem fio

- É preciso estar consciente, que este instrumento eléctrico está sempre em estado operacional, porque não precisa de estar ligado na rede. Ponha sempre o interruptor na posição de DESLIGADO, quando coloca ou retira a pilha.
- Utilize sempre antifones ao trabalhar com aparafusadoras sem fio. *O ruído excessivo durante o trabalho pode causar deficiência auditiva.*
- Utilize sempre a manipula adicional, caso esteja suministrada dentro do jogo da máquina. *A perda de controlo pode causar acidente de trabalho.*
- Pegue sempre nas superfícies isoladas do instrumento eléctrico quando executa uma operação na qual é possível o parafuso chegar a ter contacto com instalação eléctrica oculta. *O contacto com cabo sob tensão vai colocar sob tensão as partes de metal do instrumento e vai provocar choque eléctrico no operador.*
- Caso seja possível, utilize sempre braçadeiras ou vise para fixar o material processado.
- Não tocar a broca imediatamente depois de ter trabalhado com a broca a pilhas. É muito quente.
- Ao trabalhar com broca, utilize sempre meios de protecção individual, incluindo óculos protectores e antifones. Utilize máscara anti-pó, cv caso durante a brocagem, caso a operação produza poeira.
- A poeira que se produz durante o processamento de materiais com conteúdo de quartzo (bióxido de silício), é nociva à saúde. Não processar materiais com conteúdo de amianto.
- O instrumento eléctrico tem de ser utilizado só para o que for destinado. Qualquer outro uso que se diferencia do descrito nesta instrução, considerar-se-á incorrecto. A responsabilidade de qualquer avaria ou traumatismo que decorrem do uso incorrecto será assumida pelo consumidor e não pelo fabricante.
- Para trabalhar correctamente com este instrumento, é preciso observar as regras de segurança, as instruções gerais e as recomendações para o trabalho aqui assinaladas. Todo consumidor tem de conhecer esta instrução para o uso do instrumento e tem de estar informado sobre os eventuais riscos ao trabalhar com o instrumento eléctrico. Crianças e pessoas de físico fraco não têm de utilizar o instrumento. As crianças têm de encontrar-se sob constante controlo, quando se encontram perto do lugar de trabalho com o instrumento. É também obrigatório tomar medidas preventivas de segurança. O mesmo refere-se também ao acatamento das regras fundamentais de segurança e saúde profissional.
- O fabricante não assume a responsabilidade pelas modificações introduzidas pelo consumidor no instrumento eléctrico ou pelas avarias causadas por tais modificações.

Mesmo quando o instrumento é utilizado segundo a sua destinação, é impossível eliminar todos os factores de risco residuais. As ameaças mais abaixo enumeradas podem decorrer das especificidades construtivas e do

design do instrumento eléctrico.

- Problemas dos pulmões, caso não seja utilizada máscara eficiente contra a poeira.
- Problemas auditivos, caso não sejam utilizados meios de protecção eficazes.
- A ferramenta não tem de ser usada ao ar livre em tempo de chuva, em ambiente húmido (depois de chuva) ou perto de líquidos e gases facilmente inflamáveis. O local de trabalho tem de ficar bem iluminado.

Conhecimento do instrumento eléctrico

Antes de começar a trabalhar com o instrumento eléctrico, conheça todas as suas especificidades operacionais e as condições de segurança.

Utilize o instrumento só para o que está destinado. Todo uso diferente fica terminantemente proibido.

1. Chuck de aperto rápido.
2. Comutador de torque
3. Comutador de mudança do sentido de rotação
4. Botão para soltar a pilha
5. Pilha*
6. Interruptor
7. Indicador LED da pilha.
8. Iluminação LED do posto de trabalho
9. Regulador de torque.
10. Carregador*
11. Comutador do regimes operacionais

* *Acessórios apresentados ou descritos não pertencem ao volume de fornecimento padrão.*

Instruções para o trabalho

A ferramenta eléctrica é destinada para apertar e soltar parafusos, assim como para furar em madeira, metal, cerâmica e plástico.

A BUR2 18Li-C HD também é destinada para furar com percussão em tijolos e alvenaria.

COLOCAÇÃO E RETIRADA DA PILHA (FIG. 1)

Para remover a pilha, pressionar o botão de liberação da pilha (4) no sentido indicado e puxá-la para fora do corpo da ferramenta eléctrica. (A, B)



ATENÇÃO: Ponha sempre o interruptor para mudança do sentido da rotação (3) na posição intermediária antes de realizar quaisquer actividades com o instrumento eléctrico, por exemplo, colocar ou carregar a pilha, substituir bocal, transporter, prestar assistência ou guardar o instrumento.

Para instalar a pilha, colocá-la na base da ferramenta eléctrica e deslizar até ouvir o clique característico. (C)

INDICADOR DO ESTADO DA PILHA (Fig. 2)

O estado da pilha é controlado pelo indicador LED (7). Para activar o indicador, aperte o botão do interruptor (6).

Segundo o número dos LED acesos, o estado da pilha é o seguinte:

3	Capacidade da pilha: 60 - 100%
2	Capacidade da pilha: 30 - 60%
1	Capacidade da pilha: < 30%
1 Luz intermitente	Capacidade da pilha: < 20%. É preciso carregar a pilha.
Luz intermitente	Problema com a pilha. A indicação fica activada quando for pressionado o botão disparador do interruptor. Indica os seguintes estados da pilha: <ul style="list-style-type: none">• Pilha descarregada ► É preciso carregar a pilha;• Protecção térmica activada ► É preciso arrefecer a pilha, antes de renovar o trabalho;• Pilha avariada ou não reconhecida ► É substituir a pilha preciso.

O sentido de apagamento dos LED está indicado sobre o corpo do instrumento eléctrico.

ILUMINAÇÃO LED NO POSTO DE TRABALHO

O instrumento eléctrico está provido de iluminação LED (8) para aumentar o grau de iluminação do posto de trabalho em zonas pouco iluminadas. A iluminação LED mantém-se enquanto o interruptor (6) ficar apertado.

ESCOLHA DO SENTIDO DA GIRAÇÃO (Fig. 3)

Posição extrema direita do comutador do sentido da rotação (3) (vista por tras) significa rotação no sentido anti-horário, ao passo que a da extrema esquerda significa rotação no sentido horário. Ao ser pressionado o interruptor (6) o comutador (3) não pode accionar-se. Sendo o comutador (3) posto na posição neutra, o interruptor (6) não pode ser pressionado e a máquina não pode ser accionada



ATENÇÃO: A mudança do sentido da rotação faz-se só quando a broca estiver parada.

A perfuração e o aparafusamento fazem-se mediante o comutador colocado na posição extrema esquerda. Para desaparafusar o comutador tem de ficar na posição extrema direita.

INICIAR - PARAR

Iniciar: o interruptor (6) aperta-se.

Parar: o interruptor (6) afrouxa-se.

A ferramenta eléctrica este equipada com travão eléctrico. O fuso deixa de girar imediatamente depois de ficar completamente afrouxada a alavanca do interruptor.

CONTROLO ELECTRÓNICO INFINITAMENTE VARIÁVEL DAS REVOLUÇÕES



O apertar leve do interruptor (6) provoca accionamento da broca em baixas revoluções que aumentam paulatinamente até ao máximo se aumentar a pressão sobre o interruptor até chegar à posição extrema.

REGULAÇÃO DE TORQUE (Fig. 4)

Gire o anel atrás do chuck para colocar o regulador (9) numa das 20 posições.

As posições do regulador de torque (5) permitem controlar melhor o instrumento, quando é utilizado como desaparafusador, sendo evitado deste modo o aperto exagerado dos parafusos.

A magnitude do torque marca-se por um dos números em volta do anel. Quanto maior for esse número, tanto maior é o torque. Para escolher o número apropriado, gire o anel até o respectivo número ficar à frente da seta marcada sobre o corpo da broca.

1 ÷ 20	<p>Aparafusamento/desaparafusamento Ponha o regulador do torque (9) numa das 20 posições. Um torque mais baixo é apropriado para aparafusamento de parafusos de menor diâmetro e em material de menor dureza. Um torque mais alto é apropriado para aparafusamento de parafusos de maior diâmetro e em material de maior dureza. BUR2 18Li-C HD Ponha o comutador do regime operacional (11) à frente do símbolo "parafuso"</p>
	<p>Perfuração Ponha o regulador do torque (2) à frente deste símbolo, para escolher perfuração de buracos em metal, madeira, etc. O instrumento eléctrico está provido de travão. O fuso deixa de girar imediatamente depois de ficar completamente afrouxada a alavanca do interruptor. Ao ficar sobrecarregado o instrumento em regime de perfuração, afrouxe imediatamente o interruptor para evitar que o motor eléctrico aqueça demais por causa do trabalho prolongado. BUR2 18Li-C HD Ponha o comutador do regime operacional (11) à frente deste símbolo</p>
	<p>Perfuração à percussão (BUR2 18Li-C HD) Ponha o comutador do regime operacional (11) à frente deste símbolo para escolher a perfuração à percussão em tijolos, cimento, azulejos, etc.</p>

COMUTADOR DE VELOCIDADES (Fig. 5)

O comutador de velocidades de duas escalas (2) permite escolher a melhor transmissão de velocidade e torque óptimas para a aplicação concreta.



ATENÇÃO: Mude as transmissões só depois de ter desligado a aparafusadora.

1. Para escolher transmissão baixa (baixa velocidade, torque elevado) deslize o comutador de torque (2) para trás. A cifra "1" marcada sobre o comutador indica a velocidade escolhida.
2. Para escolher transmissão alta (alta velocidade, torque baixo) deslize o comutador de torque (2) para frente. A cifra "2" marcada sobre o comutador indica a velocidade escolhida.

COLOCAÇÃO E RETIRADA DE BOCAL (Fig. 6)



ATENÇÃO: Retire a pilha ou ponha o comutador de mudança das velocidades (3) na posição média (néutra) (A).

A broca está provida de fuso auto-eixo, o qual significa que se tentar girar o chuck manualmente, o fuso vai ficar automaticamente bloqueado. Para retirar o bocal ou regular o seu comprimento, é necessário apenas apertar bem o chuck e fazer girar o seu corpo.

- Pegue no instrumento com uma mão e gire o chuck com a outra.
- Abra o chuck fazendo girar o seu corpo no sentido anti-horário. (B)
- Para fechar o chuck gire-o no sentido horário (D)
- Coloque o bocal (C).
- Feche o chuck.
- Faça um accionamento experimental para verificar se o bocal está correctamente afixado no centro do chuck.

MUDANÇA DO CHUCK



ATENÇÃO: A mudança do chuck tem de se fazer só por um serviço autorizado. Não tente substituir o chuck com outras ferramentas que tem à mão, pois isto pode causar dano à aparafusadora sem fio.

PERFURAÇÃO DE BURACOS

Perfuração de buracos em metal

- Para conseguir melhor resultado, utilize brocas de aço de alta velocidade para metal ou para aço.
- Ponha o regulador do torque (9) na posição de perfuração "broca".
BUR2 18Li-C HD - Ponha o comutador do regime operacional (11) à frente do símbolo "broca".
- Inicie a perfuração a velocidade lenta para se não deslizar a broca do ponto inicial.
- Sempre ajuste bem as lâminas de aço.
- Fixe as chapas finas de metal com blocos de madeira para se não moverem.
- Utilize um objecto de ponta aguda para marcar o centro da abertura a perfurar.
- Utilize líquido lubrificante apropriado para o material processado.

Material	Líquido lubrificante
Aço	Óleo lubrificante
Alumínio	Terpentina ou parafina
Bronze, cobre, ferro	Não se utiliza líquido lubrificante

Perfuração de aberturas em plástico e em aglomerado forrado de plástico

- Utilize brocas de aço de alta velocidade.
- Leia mais abaixo a parte sobre "Perfuração de aberturas em madeira".

Perfuração em alvenaria (BUR2 15LiHD, BUR2 18LiHD)

- Para conseguir o resultado óptimo utilize brocas de

percussão de carboneto temperado para alvenaria, quando vai abrir buracos em tijolos, telhas, concretos.

- Passe para o regime “perfuração à pressão” rodando o comutador dos regimes operacionais (11) à frente do símbolo “martelo” e posicione o comutador das gamas de velocidade (2) na posição “2”.
- Ao perfurar tijolos, pressione levemente e utilize uma velocidade moderada para conseguir o resultado óptimo.
- Nos materiais duros como concretos aplique uma pressão adicional e velocidade elevada.
- Ao abrir buracos em telhas, experimente primeiro num pedaço inútil de telha para determinar a velocidade e a pressão mais adequadas.

Perfuração de buracos em madeira

- Para conseguir melhor resultado, utilize brocas de aço de alta velocidade para madeira.
- Ponha o regulador do torque (9) na posição de perfuração “broca”.
BUR2 18Li-C HD - Ponha o comutador do regime operacional (11) à frente do símbolo “broca”.
- Inicie a perfuração a velocidade lenta para se não deslizar a broca do ponto inicial. Aumente a velocidade quando a broca penetrar no material.
- Quando está a perfurar uma abertura de passagem, ponha abaixo do material processado um pedaço de madeira para evitar a ruptura ou clivagem na parte traseira da abertura.

Todas as operações de perfuração

- Utilize só brocas de ponta aguda.
- Marque previamente o centro do buraco que vai abrir com um furador ou prego.

APARAFUSAMENTO/ DESAPARAFUSAMENTO DE PARAFUSOS

Escolha o torque apropriado, colocando um dos números sobre o regulador do torque (9) à frente da seta sobre o corpo.

Coloque o bocal necessário.

BUR2 18Li-C HD - Ponha o comutador do regime operacional (11) à frente do símbolo “parafuso”



ATENÇÃO: O aperto exagerado pode causar ruptura do parafuso ou defeito no bocal.



ATENÇÃO: Se mantiver o instrumento sob ângulo para com o parafuso a apertar, pode causar dano à cabeça do parafuso, ou bem, o torque não se vai transmitir à íntegra ao parafuso. Mantenha sempre o instrumento e o parafuso a apertar numa linha recta.

Manutenção



ATENÇÃO: Coloque o comutador de mudança do sentido da giração (3) na posição intermediária antes de começar a realizar quaisquer actividades com o instrumento eléctrico, por ex., colocação e carregamento de pilha, mudança de bocal, assistência ou manutenção do instrumento eléctrico.

Verifique periodicamente se os parafusos do corpo estão bem ajustados. Durante o uso prolongado os parafusos podem ficar afrouxados pelas vibrações.

LIMPEZA

Visando a segurança de trabalho, mantenha sempre limpa a máquina e as aberturas de ventilação. Verifique regularmente se na grade de ventilação perto do motor eléctrico ou perto dos comutadores não tenham penetrado corpos alheios. Utilize uma escova macia para limpar o pó acumulado. Para preservar os olhos, utilize durante a limpeza óculos protectores. Se o corpo do instrumento precisa de limpeza, limpe-o com um pano macio levemente úmido. Pode ser utilizado um fraco detergente.



ATENÇÃO: Não se admite o uso de álcool, gasolina ou outro solvente. Não utilize nunca substâncias corrosivas para limpar as peças de plástico.



ATENÇÃO: Não se admite a penetração de água em contacto com o instrumento.

INSTRUÇÕES PARA A LIMPEZA DO CARREGADOR



ATENÇÃO: Antes de proceder para a limpeza desligue o carregador da rede alimentadora.

- As partes externas sujas ou oleadas do carregador limpam-se com pano ou com uma escova macia não metálica. Não utilize para este fim água nem soluções detergentes.

IMPORTANTE! Para garantir a segurança do trabalho com o instrumento eléctrico ou a sua confiabilidade, todas as actividades de reparação, manutenção e regulamento têm de se realizar nas oficinas de serviço da SPARKY, utilizando só peças de sobresselente originais.



Reciclagem

Ferramentas eléctricas, acessórios e embalagens devem ser enviados a uma reciclagem ecológica de matérias primas.

As pilhas, os carregadores, os acessórios e as suas embalagens têm de ser entregues para aproveitamento das matérias primas neles contidas.

Apenas países da União Europeia:

Não deitar ferramentas eléctricas no lixo doméstico! De acordo com a directiva europeia 2012/19/EU para aparelhos eléctricos e electrónicos velhos, e com as respectivas realizações nas leis nacionais, as ferramentas eléctricas que não servem mais para a utilização, devem ser enviadas separadamente a uma reciclagem ecológica.

Acumuladores/pilhas:



Acumuladores/pilhas não devem ser deitados no lixo doméstico, nem no fogo nem na água. Acumuladores/pilhas devem ser recolhidos, reciclados ou eliminados de forma ecológica.

Apenas países da União Europeia:

Acumuladores e pilhas defeituosos ou gastos devem ser reciclados conforme a directiva 2006/66/EC.

Garantia

O prazo de garantia dos instrumentos eléctricos SPARKY está indicado no cartão de garantia. Problemas surgidos em resultado do desgaste natural, sobrecarga ou utilização incorrecta, ficam excluídos dos deveres da garantia. Os problemas surgidos devido ao uso de materiais de baixa qualidade e/ou erros de fabricação, eliminam-se sem pagamento adicional mediante substituição ou reparação.

Reclamação por um instrumento eléctrico SPARKY defeituoso reconhece-se quando o instrumento for devolvido ao distribuidor ou for levado a uma oficina autorizada de assistência em prazo de garantia no seu estado inicial (montado).

Observações

Leia atentamente toda a instrução para o uso, antes de começar a trabalhar com este aparelho.

O fabricante reserva-se o direito de introduzir melhoras e modificações nos seus aparelhos, bem como modificar as especificações sem aviso.

As especificações podem variar de país para país.

Treść

Wstęp	54
Dane techniczne.....	56
Ogólne wskazówki bezpieczeństwa dla elektronarzędzi	57
Dodatkowe wskazówki bezpieczeństwa do pracy z wkrętarkami akumulatorowymi	58
Opis urządzenia.....	58
Użytkowanie.....	59
Konserwacja	61
Recykling.....	62
Gwarancja.....	62

ROZPAKOWANIE

Ze względu na nowoczesne metody produkcji masowej, istnieje niewielkie prawdopodobieństwo, iż zakupione przez Państwa narzędzie jest wadliwe, bądź niekompletne. W przypadku stwierdzenia jakichkolwiek nieprawidłowości, nie uruchamiać narzędzia do chwili wymiany części lub usunięcia usterki. Niezastosowanie się do tego zalecenia może skutkować poważnym uszkodzeniem ciała.

MONTAŻ

Niniejsza wkrętarka akumulatorowa SPARKY jest zapakowana w postaci całkowicie zmontowanej.

Wstęp

Niniejsze elektronarzędzie zostało wyprodukowane zgodnie z restrykcyjnymi standardami jakości firmy SPARKY. Państwa nowe urządzenie jest łatwe i bezpieczne w użytkowaniu i odpowiednio używane zapewni wieloletnią, niezawodną pracę.



UWAGA!

Przed przystąpieniem do eksploatacji zakupionego przez Państwa elektronarzędzia SPARKY należy uważnie zapoznać się z całością niniejszej Instrukcji obsługi. Ze szczególną uwagą należy traktować Ostrzeżenia. Elektronarzędzie SPARKY posiada wiele cech, które przyspieszą i ułatwią wykonywaną przez Państwa pracę. Podczas pracy nad narzędziem szczególną wagę poświęcono kwestiom bezpieczeństwa, wydajności i niezawodności, dzięki którym urządzenie jest łatwe w obsłudze.



Nie wyrzucać produktów elektrycznych razem z odpadami z gospodarstw domowych!

Zużyte artykuły elektryczne nie powinny być wyrzucane wraz z odpadami z gospodarstw domowych. Należy je utylizować w przeznaczonych do tego miejscach. Informacji na temat utylizacji udzielają władze lokalne bądź sprzedawcy.



OCHRONA ŚRODOWISKA

Utylizując urządzenie, osprzęt i opakowanie należy poddać poszczególnym elementom sortowaniu z myślą o ochronie środowiska naturalnego.

Elementy plastikowe zostały odpowiednio oznaczone, aby umożliwić utylizację według odpowiedniej klasyfikacji odpadów.

OPIS SYMBOLI

Na tabliczce znamionowej narzędzia mogą znajdować się symbole oznaczające ważne informacje o produkcji lub instrukcji jego użytkowania.



Zgodny z odpowiednimi dyrektywami europejskimi



Zapoznać się z instrukcją obsługi



Spełnia wymagania przepisów Unii Celnej

YYYY-Www

Okres produkcji, w którym zmiennymi symbolami są: YYYY - roku produkcji, ww – tydzień kalendarzowy



Zgodność z wymogami ukraińskich dokumentów normatywnych

BR, BUR

WKRĘTARKA AKUMULATOROWA

Na baterii umieszczono specjalne symbole zawierające istotną informację o wyrobie lub instrukcje jej stosowania.



Recykling baterii Li-Ion.



Chronić przed wilgocią, deszczem i wodą!



Nie zagrzewać, chronić przed bezpośrednim działaniem promieni słonecznych i ogniem.



Dopuszczalny zakres temperatury ładowania 0+45°C

Dane techniczne

Model		BR2 18Li-C HD	BUR2 18Li-C HD*
• Silnik	V	18	18
• Liczba obrotów na biegu jałowym (I prędkość /II prędkość)	min ⁻¹	0-350/0-1350	0-350/0-1350
• Liczba uderów na biegu jałowym (I prędkość /II prędkość)	min ⁻¹	–	5250/20250
• Maksymalny moment obrotowy	Nm	40	40
• Ustawienie momentu obrotowego:		20+1	20+1
• Zakres uchwyty wiertarskiego	mm	1,5–13	1,5–13
• Maksymalna średnica wiertel stal / drewno / cegły	mm	13/20/–	13/20/13
• Maksymalny rozmiar śrub	mm	8	8
• Elektroniczne ustawienie obrotów, bieg- prawy- lewy		tak	tak
• Hamulec silnika		tak	tak
• Samowłączający się trzpień		tak	tak
• Oświetlenie powierzchni pracy		tak	tak
• Diodowy wskaźnik ładowania		tak	tak
• Dwustopniowa przekładnia		tak	tak
• Waga z baterią 2Ah / 4Ah (odpowiednio do procedury EPTA 01/2014):	kg	1,3 / 1,6	1,4 / 1,6

INFORMACJA O HAŁASIE I WIBRACJACH (wartości ustalone zgodnie z EN 60745.)

• Wartości emisji hałasu:			
Poziom ciśnienia akustycznego A L _{pA}	dB(A)	72	76
Niepewność K _{pA}	dB	3	3
Poziom mocy akustycznej A L _{wA}	dB(A)	83	87
Niepewność K _{wA}	dB	3	3



Praca w słuchawkach!

• Emisja wibracji (*Wartości ustalone zgodnie 6.2.7 EN 60745-1.)			
Całkowita wartość wibracji (suma wektorów trzech kierunków) ustalona zgodnie z EN 60745:			
Poziom wibracji podczas wiercenia z uderem a _{r,1D}	m/s ²	–	9,4
Niepewność K _{r,1D}	m/s ²	–	1,5
Wartość emisji wibracji a _{h,D}	m/s ²	< 2,5	< 2,5
Niepewność K _{r,D}	m/s ²	1,5	1,5

* Modele z uderem

Podany w niniejszej instrukcji poziom drgań został zmierzony zgodnie z określoną przez normę EN 60745 procedurą i może być używany do porównywania urządzeń. Może być stosowany do wstępnego określenia ekspozycji.

Deklarowany poziom emisji drgań odnosi się do głównego zastosowania urządzenia. Jeżeli urządzenie zostanie przeznaczone do innych zastosowań, z innym osprzętem lub nie będzie należycie konserwowane, poziom emisji wibracji może się różnić. Może to znacznie zwiększyć poziom ekspozycji w łącznym czasie pracy.

Aby dokładnie określić poziom ekspozycji na drgania, należy także brać pod uwagę okresy gdy urządzenie jest wyłączone, lub gdy nawet jest włączone, ale nie wykorzystywane do pracy. Może to znacznie obniżyć poziom ekspozycji na drgania w łącznym czasie pracy.

Chroń urządzenie oraz osprzęt oraz dbać o zapewnienie ciepła dłoniom podczas pracy w celu obniżenia szkodliwego wpływu drgań.

Pył z takich materiałów jak np. farba zawierająca ołów, niektóre gatunki drewna, minerały oraz metal może być szkodliwy. Kontakt lub inhalacja pyłów może spowodować reakcje alergiczne i/lub choroby układu oddechowego u operatora lub osób znajdujących się w bezpośredniej bliskości.

Pewne odmiany pyłów sklasyfikowane są jako rakotwórcze np. pył dębowy czy bukowy w szczególności w połączeniu z dodatkami zawierającymi chromaty i środki konserwujące. Materiały zawierające azbest mogą być obrabiane jedynie przez specjalistów.

- Tam gdzie możliwe jest stosowanie odciągu pyłów należy je stosować.
- Aby uzyskać wysoką skuteczność odciągu pyłów, stosować odkurzacz do drewna lub do drewna i minerałów wraz z niniejszym urządzeniem.
- Miejsce pracy musi być dobrze wentylowane.
- Zaleca się stosowanie maski pyłowej lub filtrów klasy P2.

Przestrzegać przepisów krajowych odnośnie obrabianych materiałów.

Ogólne wskazówki bezpieczeństwa dla elektronarzędzi



Uwaga! Przeczytać wszystkie instrukcje bezpieczeństwa. Nie przestrzeganie instrukcji i ostrzeżeń może spowodować porażenie prądem, pożar i/lub poważne obrażenia.

Zachować wszystkie instrukcje i ostrzeżenia.

Termin: „urządzenie” we wszystkich poniższych informacjach odnosi się do urządzeń zasilanych z sieci (przewodowych) oraz urządzeń akumulatorowych (bezprzewodowych).

1. BEZPIECZEŃSTWO MIEJSCA PRACY

- Miejsce pracy musi być zawsze dobrze oświetlone i czyste. Niedoświetlenie oraz nieład mogą być przyczyną wypadków.
- Nie należy używać urządzenia w obecności palnych płynów, gazów i pyłów. Podczas pracy urządzenia powstają iskry, które mogą zapalić pyły lub opary.
- Chronić przed dziećmi i osobami postronnymi. Brak skupienia może spowodować utratę kontroli nad urządzeniem.

2. BEZPIECZEŃSTWO ELEKTRYCZNE

- Wtyczka urządzenia musi pasować do gniazda zasilającego. Nie wolno modyfikować wtyczki w jakikolwiek sposób. Nie stosować żadnych adapterów w przypadku elektronarzędzi wymagających uziemienia. Nie modyfikowane wtyczki oraz gniazda zasilające redukują ryzyko porażenia prądem.
- Unikać kontaktu z uziemionymi przedmiotami takimi jak, rury, grzejniki, piece i lodówki. Ryzyko porażenia prądem wzrasta gdy ciało użytkownika zostanie uziemione poprzez kontakt z np. ww. przedmiotami.
- Nie narażać urządzenia na kontakt z wodą – w takim wypadku wzrasta zagrożenie porażenia prądem.
- Nie przenosić, nie wylączyć ani nie ciągnąć urządzenia trzymając za przewód. Chronić przewód przed źródłem ciepła, olejami, przedmiotami o ostrych brzegach lub ruchomych częściach. Uszkodzony lub splątany przewód może zwiększyć ryzyko porażenia prądem.
- Podczas pracy na zewnątrz należy zawsze stosować odpowiedni przewód przedłużający. Stosowanie przewodu przeznaczzonego do pracy na zewnątrz zmniejsza ryzyko porażenia prądem.
- Jeśli praca w wilgotnym środowisku jest nieunikniona, stosować zasilanie zabezpieczone wyłącznikiem różnicowo-prądowy. Stosowanie wyłącznika różnicowo-prądowego zmniejsza ryzyko porażenia prądem.

3. BEZPIECZEŃSTWO OSOBISTE

- Zawsze należy pracować w należyтым skupieniu i kierować się rozsądkiem. Nie używać urządze-

nia pozostając pod wpływem leków, alkoholu lub narkotyków, w trakcie leczenia lub będąc zmęczonym. Chwila nieuwagi podczas pracy urządzeniem może być przyczyną poważnych uszkodzeń ciała.

- Stosować wyposażenie ochronne.** Zawsze używać ochrony oczu. Wyposażenie takie jak maska p.pyłowa, buty na podeszwie antypoślizgowej, kask, ochronniki słuchu, redukuje zagrożenie uszkodzenia ciała.
- Unikać przypadkowego włączenia urządzenia. Upewnić się, że włącznik znajduje się w położeniu; „wylączony” przed podłączeniem urządzenia do źródła zasilania. Przenoszenie urządzenia trzymając za włącznik lub podłączając je do zasilania z włącznikiem w pozycji: „włączone” może być przyczyną wypadków.
- Przed włączeniem urządzenia upewnić się, że nie jest dołączony żaden osprzęt regulujący (np. klucz). Pozostawienie klucza w rotującej części urządzenia może spowodować obrażenia.
- Nie przeceniać własnych możliwości. Zawsze dbać o odpowiednie oparcie dla nóg oraz balans. Zapewni to lepszą kontrolę w nieoczekiwanych sytuacjach.
- Stosować odpowiednie ubranie. Nie nosić luźnych ubrań ani biżuterii. Nie zbliżać włosów, ubrania ani rękawic roboczych do ruchomych części urządzenia. Luźne ubranie, biżuteria lub długie włosy mogą utknąć w ruchomych częściach urządzenia.
- Jeśli urządzenie jest wyposażone w adapter odprowadzania pyłów, należy sprawdzić czy jest odpowiednio podłączony i używany. Stosowanie systemu odprowadzania pyłów może obniżyć niebezpieczeństwa związane z pyleniem.

4. UŻYWANIE I KONSERWACJA URZĄDZENIA

- Nie przeciążać urządzenia. Stosować odpowiednie urządzenie do każdej pracy. Należy używać dobre urządzenie wykona pracę lepiej i bezpieczniej w trybie do jakiego zostało zaprojektowane
- Nie używać urządzenia jeśli włącznik nie działa. Każde urządzenie z uszkodzonym włącznikiem jest niebezpieczne i musi zostać naprawione.
- Zawsze należy odłączyć urządzenie od zasilania i/lub wyjąć baterię przed zmianą ustawień, wymianą akcesoriów lub odłożeniem po pracy. Takie działanie zmniejszy ryzyko przypadkowego włączenia urządzenia.
- Nieużywane urządzenie należy chronić przed dziećmi oraz niepowołanymi osobami nie znającymi tego urządzenia lub niniejszej instrukcji. Elektronarzędzia są niebezpieczne w rękach nie przeszkolonych osób.
- Konserwować elektronarzędzia. Sprawdzać połączenia części ruchomych, ewentualne uszkodzenia oraz inne czynniki mogące mieć wpływ na działanie urządzenia. W przypadku stwierdzenia uszkodzenia należy naprawić urządzenie przed dalszym użytkowaniem. Wiele wypadków spowodowanych jest nienależytą konserwacją urządzenia.
- Narzędzia tnące zawsze muszą być ostre. Odpo-

wiednio konserwowane narzędzia tnące z ostrymi krawędziami rzadziej się zacinają w obrabianym materiale i są łatwiejsze w obsłudze.

- g) Niniejsze urządzenie oraz osprzęt do niego muszą być używane zgodnie z niniejszą instrukcją obsługi oraz w zakresie przewidzianym dla danego typu urządzenia. Zawsze należy brać pod uwagę rodzaj pracy do wykonania oraz warunki panujące w miejscu pracy. Użycie elektronarzędzia do celów innych niż opisane w niniejszej instrukcji obsługi może spowodować niebezpieczne sytuacje.

5. PRAWIDŁOWA OBSŁUGA I EKSPLOATACJA NARZĘDZI AKUMULATOROWYCH

- a) Akumulatory należy ładować tylko w ładowarkach, zalecanych przez producenta. W przypadku użycia ładowarki, przystosowanej do ładowania określonego rodzaju akumulatorów, w sposób niezgodny z przeznaczeniem, istnieje niebezpieczeństwo pożaru.
- b) W elektronarzędziach można używać jedynie przewidzianych do tego celu akumulatorów. Użycie innych akumulatorów może spowodować obrażenia ciała i zagrożenie pożarem.
- c) Nieużywany akumulator należy trzymać z dala od spinaczy, monet, kluczy, gwoździ, śrub lub innych małych przedmiotów metalowych, które mogłyby spowodować zmostkowanie styków. Zwarcie pomiędzy stykami akumulatora może spowodować oparzenia lub pożar.
- d) Przy niewłaściwym użyciu możliwe jest wydostanie się elektrolitu z akumulatora. Należy unikać kontaktu z nim, a w przypadku niezamierzonego zetknięcia się z elektrolitem, należy umyć dane miejsce ciała wodą. Jeżeli ciecz dostała się do oczu, należy dodatkowo skonsultować się z lekarzem. Elektrolit może doprowadzić do podrażnienia skóry lub oparzeń.

6. SERWIS

- a) Naprawę elektronarzędzia należy zlecić jedynie wykwalifikowanemu fachowcowi i przy użyciu oryginalnych części zamiennych. To gwarantuje, że bezpieczeństwo urządzenia zostanie zachowane.

Dodatkowe wskazówki bezpieczeństwa do pracy z wkrętarkami akumulatorowymi

- Należy zwrócić uwagę, że urządzenie z zainstalowaną i naładowaną baterią jest gotowe do pracy, ponieważ pracuje niezależnie od sieci elektrycznej. Podczas instalowania lub wyjmowania baterii wyłącznik powinien znajdować się zawsze na pozycji Wylądzone.
- Do pracy z wiertarkami udarowymi należy zakładać słuchawki ochronne. Intensywny hałas w miejscu pracy może prowadzić do uszkodzeń słuchu.
- Zawsze należy używać dodatkowego uchwytu,

jeżeli został dostarczony z urządzeniem. Utrata kontroli może prowadzić do wypadków.

- Trzymać elektronarzędzie za izolowane powierzchnie podczas wykonywania zabiegu, kiedy zakręcana śruba może dotknąć ukrytej izolacji. Dotknięcie przewodu pod ciśnieniem stawia pod napięciem części metalowe elektronarzędzia i użytkownik może zostać porażony prądem.
- Jeżeli jest to możliwe obrabiany materiał powinien być przymocowany na stałe. Bezpośrednio po zakończeniu pracy nie należy dotykać końcówek roboczych, są bardzo gorąca.
- Podczas pracy z urządzeniem należy stosować wyposażenie ochronne, okulary i słuchawki. Podczas prac, przy których wydobywa się kurz należy zakładać maskę ochronną.
- Pył, który wydobywa się podczas obrabiania materiałów zawiera kwarc (dwutlenek krzemu), który jest szkodliwy dla zdrowia. Nie można pracować z materiałami zawierającymi azbest.
- Elektronarzędzia mogą być stosowane tylko do przeznaczonych celów. Każde inne zastosowanie, które nie jest opisane w instrukcji obsługi jest niedozwolone. Użytkownik, a nie producent ponosi odpowiedzialność za szkody powstałe w wyniku nieodpowiedniego używania urządzenia.
- W celu poprawnej pracy z elektronarzędziami należy dokładnie przeczytać i przestrzegać wskazówek zawartych w instrukcji obsługi. Każdy użytkownik powinien znać instrukcję obsługi i ewentualne ryzyka wynikające z pracy z urządzeniem. Osoby słabsze fizycznie i dzieci nie mogą pracować z urządzeniem. Jeżeli dzieci znajdują się w pobliżu pracującego urządzenia należy zwrócić na nie szczególną uwagę. Przede wszystkim należy przestrzegać miejscowych przepisów bhp.
- Producent nie ponosi odpowiedzialności za zmiany urządzenia dokonane przez użytkownika lub szkody powstałe w wyniku tych zmian.

Nawet jeżeli urządzenie będzie używane do przeznaczonych celów, nie jest to możliwe aby wyeliminować wszystkie czynniki ryzyka. Wymienione poniżej zagrożenia mogą wystąpić w związku z cechami szczególnie konstrukcji i modelem urządzenia.

- Choroby płuc, jeżeli praca wykonywana jest bez maski.
- Uszkodzenia słuchu, jeżeli praca wykonywana jest bez słuchawek.
- Elektronarzędzia nie można stosować na wolnym powietrzu przy opadach atmosferycznych w środowisku wilgotnym lub blisko łatwopalnych płynów i gazów. Miejsce pracy powinno być dobrze oświetlone.

Opis urządzenia

Przed rozpoczęciem pracy z urządzeniem należy dokładnie przeczytać wszystkie informacje o specyfice pracy i warunkach bezpieczeństwa.

Urządzenie i osprzęt powinny być stosowane tylko do celów wymienionych w instrukcji obsługi. Każde inne zastosowanie jest niedozwolone.

- Uchwyt samozaciskowy
- Przełącznik wyboru prędkości

3. Przełącznik kierunku obrotów
4. Włącznik baterii
5. Bateria*
6. Włącznik
7. Wskaźnik stanu baterii
8. Diodowe oświetlenie
9. Koinierz regulacji momentu obrotowego
10. Ładowarka*
11. Przełącznik wyboru trybu pracy

* Przedstawiony na rysunkach lub opisany w instrukcji użytkowania osprzęt nie wchodzi w skład wyposażenia standardowego.

Użytkowanie

Elektronarzędzie przeznaczone jest do wkręcania i wykręcania śrub i wkrętów, a także do wiercenia w drewnie, metalu, ceramice i tworzywach sztucznych. Model BUR2 18Li-C HD przeznaczony jest dodatkowo do wiercenia udarowego w cegle i murze.

ZAKŁADANIE I WYJMOWANIE BATERII

(RYS. 1)

W celu wyjęcia baterii wcisnąć przycisk zwalnający baterię (4) we wskazanym kierunku (A) oraz wyciągnąć ją z obudowy elektronarzędzia.(B)



UWAGA: Przed konserwacją urządzenia, lub montażem i ładowaniem baterii, wymianą końcówki, transportem i przechowywaniem przełącznik zmiany kierunku obrotów (3) należy ustawić na pozycji środkowej.

W celu zakładania baterii należy ją włożyć do podstawy elektronarzędzia i przesunąć ją do usłyszania charakterystycznego trzaśnięcia. (C)

WSKAŹNIK STANU BATERII (Rys. 2)

Stan naładowania baterii podczas pracy można sprawdzić na wyświetlaczu (7) naciskając przycisk wskaźnika (6).

W zależności od ilości świecących diod, stan naładowania baterii jest następujący:

3	Ładowność baterii: 60 - 100%
2	Ładowność baterii: 30 - 60%
1	Ładowność baterii:< 30%
1 Migające światło	Ładowność baterii:<20%. Baterię należy naładować.

Migające światło

Problem z baterią. Wskazanie zostaje uruchomione po wciśnięciu spustu wyłącznika. Wskazuje jeden z następujących stanów baterii:

- **Rozładowanie baterii** ► Koniec naładowania baterii;
- **Uruchomione zabezpieczenie temperaturowe** ► Baterię należy ochłodzić przed ponownym przystąpieniem do pracy;
- **Uszkodzona bateria lub niezidentyfikowana bateria** ► Baterię należy wymienić.

Kierunek spadku poziomu naładowania wskazywanego przez diody jest zaznaczony na obudowie.

OŚWIETLENIE MIEJSCA PRACY

Urządzenie jest wyposażone w diodę (8) przeznaczoną do podświetlenia miejsca pracy w celu polepszenia widoczności w miejscach niedoświetlonych. Aby włączyć diodę należy nacisnąć włącznik (6).

Elektronika ochrony przeciążeniowej może wyłączyć znacznie przeciążone urządzenie w celu jego ochrony. Ten tryb jest zasygnalizowany miganiem oświetlenia luminescencyjnego strefy roboczej (8). Urządzenie może zostać ponownie użyte zgodnie z przeznaczeniem po ponownym włączeniu.

WYBÓR KIERUNKU OBROTÓW (Rys.3)

Położenie włącznika zmiany kierunku obrotów (3) całkowicie w prawo (patrz od tyłu) oznacza obrót odwrotny do kierunku wskazówek zegara, położenie całkowicie w lewo - zgodny ze wskazówkami zegara. Kiedy włącznik WŁ./WYŁ. (6) jest włączony włącznik (3) nie działa. Nie można nacisnąć włącznika WŁ./WYŁ. (6) i uruchomić urządzenia jeśli przełącznik (3) znajduje się w pozycji neutralnej.



UWAGA: Zmiana kierunku obrotów może być dokonywana tylko podczas gdy wrzeczono jest w stanie spoczynku.

W celu nawiercania otworów i wkręcania śrub przełącznik należy przesunąć w lewo. W celu wykręcenia śrub przełącznik należy przesunąć w prawo.

WŁĄCZANIE I WYŁĄCZANIE

Włączanie: Wcisnąć włącznik (6).

Wyłączanie: Puścić włącznik (6).

Urządzenie jest wyposażone w hamulec elektryczny. Wrzeczono zatrzymuje się natychmiast po puszczeniu włącznika.

BEZSTOPNIOWA ELEKTRONICZNA REGULACJA OBROTÓW

Wciśnięty lekko włącznik (6) spowoduje rozpoczęcie pracy na niskich obrotach, które można podwyższać bezstopniowo do maksimum wciskając mocniej włącznik.



REGULACJA MOMENTU OBROTOWEGO

(Rys. 4)

Przełączyć kołnierz regulacji momentu obrotowego (9) znajdujący się za uchwytem wiertarskim, aby wybrać jedno z 20 ustawień.

20 ustawień regulatora momentu obrotowego ułatwia kontrolę urządzenia, podczas gdy jest stosowane jako wkrętarka. W ten sposób można uniknąć zbyt mocnego wkręcania śrub.


Moment obrotowy jest zaznaczony jedną z cyfr, które znajdują się wokół pierścienia. Im większa jest liczba zaznaczona na pierścieniu, tym wyższy jest moment obrotowy. W celu wybrania odpowiedniego momentu obrotowego należy przekręcić pierścień (9) i zgrać odpowiednią cyfrę ze strzałką na obudowie urządzenia.

1 ÷ 20	<p>Wkręcanie Regulator momentu obrotowego (9) należy ustawić w jednej z 20 pozycji. Niski moment obrotowy jest przeznaczony do wkręcania miększych śrub o małej średnicy. Wyższy moment obrotowy jest przeznaczony do wkręcania śrub o większej średnicy i z twardszych materiałów. BUR2 18Li-C HD Ustawić przełącznik trybu pracy (11) na przeciwko symbolu "wkręt".</p>
	<p>Wiercenie Regulator momentu obrotowego (9) należy ustawić na odpowiedni symbol, w celu wiercenia w metalu, drewnie itd. Urządzenie jest wyposażone w hamulec. Trzpień zatrzymuje się natychmiast po przesunięciu przełącznika w dół. W przypadku dużego obciążenia podczas pracy należy wprowadzić krótką przerwę, żeby uniknąć uszkodzeń silnika i przeciążenia. BUR2 18Li-C HD Ustawić przełącznik trybu pracy (11) na przeciwko symbolu "wiertło".</p>
	<p>Wiercenie z udarem (BUR2 18Li-C HD) Ustawić przełącznik trybu pracy (11) na przeciwko symbolu „młot” w celu wybrania wiercenia z udarem w cegle, cemencie, płytkach, itp.</p>

PRZEŁĄCZNIK WYBORU PRĘDKOŚCI


(Rys. 5)

Przełącznik wyboru prędkości (2) umożliwił dobór właściwego przełożenia z optymalną prędkością i momentem obrotowym do zadania.

 **UWAGA:** Przed zmianą przełożenia, upewnić się czy urządzenie jest wyłączone.

1. W celu wybrania niższego biegu (mniejsza prędkość, wysoki moment obrotowy) należy przesunąć przełącznik biegów (2) do tyłu. Cyfra **1** znajdująca się na przełączniku oznacza wybraną prędkość.
2. W celu wybrania wyższego biegu (duża prędkość, niski moment obrotowy) należy przesunąć przełącznik biegów (2) do przodu. Cyfra **2** znajdująca się na przełączniku oznacza wybraną prędkość.


MONTAŻ I DEMONTAŻ NARZĘDZI ROBOCZYCH (Rys. 6)

 **UWAGA:** Należy wyjąć baterię lub ustawić przełącznik zmiany kierunku obrotów (3) w pozycji środkowej (A) neutralnej.

Urządzenie jest wyposażone w automatyczną blokadę wrzeczona, oznacza to, że wrzeczono zostanie zablokowane przy próbie ręcznego przekręcenia uchwytu wiertarskiego. Dzięki temu wystarczy obracać trzymany uchwyt w celu zamontowania lub demontażu osprzętu.

- Trzymać urządzenie jedną ręką a obracać uchwyt drugą ręką.
- Aby otworzyć uchwyt należy obracać w kierunku odwrotnym do ruchu wskazówek zegara. (B)
- Aby zamknąć uchwyt należy obracać w kierunku zgodnym z ruchem wskazówek. (D)
- Zamontować osprzęt. (C)
- Zamknąć uchwyt.
- Sprawdzić czy osprzęt jest umieszczony centralnie w uchwycie, włączając urządzenie na chwilę bez obciążenia.

WYMIANA UCHWYTU WIERTARSKIEGO

 **UWAGA:** Wymiana uchwytu może być wykonana wyłącznie w autoryzowanym serwisie. Prosimy o nie podejmowanie prób wymiany uchwytu ponieważ może to uszkodzić urządzenie.

WIERCENIE

Wiercenie w metalu

- W celu osiągnięcia najlepszych wyników pracy należy stosować wiertła do metali ze stali szybkoobrotowej.
- Ustawić kołnierz regulacji momentu obrotowego (9) w pozycji "wiertło".
BUR2 18Li-C HD - Ustawić przełącznik trybu pracy (11) na przeciwko symbolu "wiertło"
- Rozpocząć wiercenie powoli, żeby wiertło się nie ślizgiwało.
- Obrabiany przedmiot dobrze unieruchomić.
- Cienkie blachy zabezpieczyć blokiem drewnianym aby zapobiec zniekształceniom.
- Oстрым przedmiotem zaznaczyć środek odwiertu.
- Stosować smar przeznaczony do obrabianego materiału.

Materiał	Smar
Stal	Towot
Aluminium	Terpentyna lub parafina
Mosiądz, miedź, żelazo	Smar niepotrzebny

Wiercenie w tworzywach sztucznych i pokrytych tworzywem płytach wiórowych

- Stosować wiertła ze stali szybkoobrotowej.
- Przeczytać poniższy ustęp o wierceniu w drewnie.

Wiercenie w murze (BUR2 18Li-C HD)

- W celu uzyskania optymalnego wyniku pracy podczas wiercenia w cegle, dachówkach lub betonie należy stosować wiertła udarowe do betonu utwardzone karbidem.
- Przełączyć urządzenie na tryb „wiercenie udarowe”, ustawiając przełącznik trybu pracy (11) na przeciwko symbolu „młot” i ustawić przełącznik biegów (2) w pozycji „2”.
- Podczas wiercenia w ceglach można osiągnąć optymalny wynik pracy przez lekki nacisk ze średnią prędkością.
- Podczas wiercenia w dachówkach należy wykonać próbę na dachówce, w celu ustawienia optymalnej prędkości i nacisku.

Wiercenie w drewnie

- W celu osiągnięcia najlepszego wyniku należy stosować wiertła do drewna z szybkoobrotowej stali.
- Ustawić kołnierzyk regulacji momentu obrotowego (9) w pozycji „wiertło”.
- **BUR2 18Li-C HD** - Ustawić przełącznik trybu pracy (11) na przeciwko symbolu „wiertło”
- Wiercenie należy rozpocząć powoli, żeby wiertło się nie ześlizgnęło. Podwyższaj prędkość w momencie wejścia wiertła w materiał.
- Podczas wiercenia otworu przejłotowego należy pod materiał obrabiany podstawić kawałek drewna, żeby uniknąć rozzerwania tylnej części otworu.

Wszystkie prace wiertnicze

- Używać tylko ostrych wiertel.
- Ostрым przedmiotem zaznaczyć środek odwiertu.

WKREĆCIE / WYKREĆCIE

Wybrać odpowiedni moment obrotowy, ustawiając jedną z cyfr znajdujących się na kołnierzu regulacji momentu obrotowego (9), naprzeciw strzałki na obudowie urządzenia.

Zamontować odpowiednią końcówkę.

BUR2 18Li-C HD - Ustawić przełącznik trybu pracy (11) na przeciwko symbolu „wkręt”.



UWAGA: Zbyt mocne przykręcenie może złać śrubę lub uszkodzić nasadkę.



UWAGA: Jeżeli podczas wkręcania śruby urządzenie trzymane jest pod kątem w stosunku do wkrętu, główka wkrętu może zostać zniszczona lub moment obrotowy nie zostanie w pełni przeniesiony na śrubę. Urządzenie i wkręcaną śrubę należy trzymać zawsze w jednej linii.

Konserwacja



UWAGA: Przed rozpoczęciem zmian w urządzeniu, jak: montaż i ładowanie baterii, wymiana narzędzi, transport, konserwacja i przechowywanie przełącznik zmiany kierunku obrotów (3) musi być ustawiony zawsze w pozycji środkowej.

Należy regularnie sprawdzać, czy śruby obudowy są dobrze przykręcone.

Przy częstym używaniu śruby mogą się obluźzać pod wpływem wibracji.

CZYSZCZENIE

Urządzenie i otwory wentylacyjne powinny być zawsze czyste.

Należy regularnie sprawdzać czy w kratce wentylacyjnej znajdującej się w pobliżu silnika nie ma kurzu ani ciał obcych. Do odkurzenia używać miękkiej szczotki. Do czyszczenia należy zakładać okulary ochronne. Urządzenie czyścić wilgotną ścierką z zastosowaniem delikatnego płynu.



UWAGA: Nie należy stosować alkoholu, benzyny ani innych rozpuszczalników. Do czyszczenia tworzyw sztucznych nie należy używać agresywnych środków czyszczących.



UWAGA: Chronić urządzenie przed wodą.

Wskazówki czyszczenia ładowarki:



UWAGA: Przed czyszczeniem odłączyć ładowarkę od sieci.

- Zabrudzone miejsca na zewnątrz ładowarki czyścić ścierką lub miękkim druciakiem. Bez wody lub rozpuszczalników.

UWAGA! W celu zapewnienia bezpiecznej pracy i trwałości urządzenia wszystkie naprawy i prace konserwacyjne należy zlecać w autoryzowanym serwisie SPARKY. Należy używać tylko oryginalnych części zamiennych.



Recykling

Urządzenie, akcesoria oraz opakowanie powinny zostać odpowiednio posortowane przez recyklingiem. Baterie, ładowarki, osprzęt i ich opakowania należy przekazywać do ponownego wykorzystania zawartych w nich surowców.

Dotyczy krajów UE:

Nie wyrzucać urządzeń elektrycznych razem z domowymi śmieciami! Zgodnie z zaleceniami normy 2012/19/EU, elektronarzędzia, które nie nadają się do użytku, powinny zostać poddane recyklingowi.

Baterie:



Nie wyrzucać urządzeń elektrycznych ani baterii razem z domowymi śmieciami, ani nie wrzucać do ognia lub wody. Wszystkie typy baterii muszą zostać poddane recyklingowi.

Dotyczy krajów UE:

Uszkodzone lub zużyte baterie muszą być przetworzone zgodnie z zaleceniami 2006/66/EC.

Gwarancja

Okres gwarancji urządzeń SPARKY jest podany w karcie gwarancyjnej. Naturalne zużycie oraz uszkodzenia powstałe w wyniku przeciążenia lub niewłaściwej obsługi nie podlegają gwarancji.

Uszkodzenia wynikłe z wady materiałowej lub błędów produkcyjnych zostaną usunięte bezpłatnie w drodze naprawy lub wymiany urządzenia.

Reklamacje uszkodzonych urządzeń SPARKY zostaną rozpatrzone jeśli zostaną dostarczone w stanie w jakim stwierdzono wadę, nie rozmontowane, do autoryzowanego serwisu lub punktu sprzedaży.

Uwagi

Przed podłączeniem urządzenia należy dokładnie przeczytać instrukcję obsługi.

Producent zastrzega sobie prawo dokonywania zmian, ulepszeń swoich produktów i specyfikacji bez informowania.

Specyfikacje mogą się różnić w zależności od kraju.



Содержание

Введение.....	63
Технические данные.....	65
Общие указания по безопасности при работе с электроинструментами.....	66
Дополнительные правила техники безопасности при использовании аккумуляторных дрелей.....	67
Знакомство с электроинструментом.....	68
Указания по работе.....	68
Обслуживание.....	71
Утилизация.....	71
Гарантия.....	72

РАСПАКОВКА

Электроинструмент поставляется комплектно в исправном виде. В случае обнаружения несоответствий не рекомендуем использовать инструмент до тех пор, пока обнаруженный дефект не будет устранен. Невыполнение этой рекомендации может стать причиной травмы.

СБОРКА

Аккумуляторные шуруповерты/дрели BR2 18Li-C HD, BUR2 18Li-C HD поставляются в полностью собранном и упакованном виде.

Введение

Инструменты произведены в соответствии с высокими стандартами качества SPARKY. Их использование легко и безопасно. При правильном использовании инструмент прослужит вам в течение долгого времени.



ПРЕДОСТЕРЕЖЕНИЕ!

Прочтите внимательно и целиком инструкцию по эксплуатации перед использованием новоприобретенного электроинструмента SPARKY. Обратите специальное внимание на параграфы, обозначенным словом “**Предостережение**”. У Вашего электроинструмента SPARKY много качеств, которые облегчают работу. При разработке этого инструмента основное внимание было направлено на безопасность, эксплуатационные качества и надежность, которые облегчают его обслуживание и эксплуатацию.



Не выбрасывайте электроинструменты вместе с бытовыми отходами!

Отработанные электрические изделия не должны выбрасываться совместно с бытовыми отходами. Просьба оставлять их в специально предназначенных для этого местах. Проконсультируйтесь по этому поводу с местными властями или их представителем.



ОХРАНА ОКРУЖАЮЩЕЙ СРЕДЫ

С учетом охраны окружающей среды электроинструмент, принадлежности и упаковка должны подвергнуться подходящей переработке для повторного использования содержащегося в них сырья. Для облегчения рециклирования деталей, произведенных из искусственных материалов, они обозначены соответствующим образом.



ОПИСАНИЕ СИМВОЛОВ

На табличке с данными электроинструмента нанесены специальные символы. Они представляют собой важную информацию об использовании инструмента и его характеристиках.



Соответствует релевантным европейским директивам



Ознакомьтесь с инструкцией по эксплуатации



Соответствует требованиям правил Таможенного союза

YYYY-Www

Период производства, где переменные символы означают:
YYYY - год производства,
ww – очередная календарная неделя



Соответствует требованиям украинским нормативным документам

BR, BUR

АККУМУЛЯТОРНАЯ ДРЕЛЬ/
ШУРУПОВЕРТ

На поверхности батареи обозначены специальные символы. Они предоставляют собой важную информацию об изделии или инструкции о пользовании.



Утилизация Li-Ion батарей



Не мочить, беречь от дождя и воды!



Не нагревать, хранить вдали от солнечного света и огня!



Допустимый температурный диапазон зарядки 0+45°C

Технические данные

Модель		BR2 18Li-C HD	BUR2 18Li-C HD*
▪ Номинальное напряжение	V	18	18
▪ Скорость холостого хода (I скорость/II скорость)	min ⁻¹	0-350/0-1350	0-350/0-1350
▪ Частота ударов (I скорость/II скорость)	min ⁻¹	—	5250/20250
▪ Макс.вращающий момент	Nm	40	40
▪ Регулировка вращающего момента (положения регулятора)		20+1	20+1
▪ Объем патронника	mm	1,5–13	1,5–13
▪ Максимальный диаметр сверла для стали/ дерева / кладки	mm	13/20/—	13/20/13
▪ Максимальный диаметр шурупа для дерева	mm	8	8
▪ Электронная регулировка оборотов, правый – левый ход		да	да
▪ Электрический тормоз		да	да
▪ Выключающийся шпиндель		да	да
▪ Светодиодное освещение рабочей зоны		да	да
▪ Светодиодная индикация подзарядки		да	да
▪ Двухскоростная передача		да	да
▪ Вес с батареей 2 Ач / 4 Ач (ЕРТА процедура 01/2014):	kg	1,3 / 1,6	1,4 / 1,6

ИНФОРМАЦИЯ О ШУМЕ И ВИБРАЦИЯХ (Показатели замерены согласно EN 60745.)

Уровень шума:			
A-взвешенный уровень звуковой нагрузки L _{РА}	dB(A)	72	76
Неопределенность K _{РА}	dB	3	3
A- взвешенный уровень звуковой мощности L _{WA}	dB(A)	83	87
Неопределенность K _{WA}	dB	3	3



Пользуйтесь средствами защиты от шума!

▪ **Выделяемые вибрации (Вибрации замерены согласно п. 6.2.7 EN 60745.)**

Общий уровень вибраций (векторная сумма по трем осям), замеренный согласно EN 60745:

Показатель замеренных вибраций при ударном действии a _{h,D}	m/s ²	—	9,4
Неопределенность K _{h,D}	m/s ²	—	1,5
Показатель замеренных вибраций a _{h,D}	m/s ²	< 2,5	< 2,5
Неопределенность K _{h,D}	m/s ²	1,5	1,5

* Модели ударного действия

Указанный в настоящую инструкцию уровень вибраций измерен в соответствии с установленную EN 60745 методику испытаний и может использоваться для сравнения электроинструментов. Уровень вибраций может использоваться для предварительной оценки воздействия.

Указанный уровень вибраций дан при условии использования инструмента по его прямому назначению. В тех случаях, когда электроинструмент используется для других целей, с другими принадлежностями, уровень вибраций может отличаться от указанного. В этих случаях уровень воздействия может значительно возрасти в рамках общего периода работы.

Для точной оценки воздействия вибраций во время определенного периода работы необходимо учитывать промежутки времени, в которые электроинструмент выключен, либо хотя и включен, но фактически не используется. Это может существенно сократить воздействия вибраций в течение всего периода работы.

Сохраняйте электроинструмент и его принадлежности в хорошем состоянии. Во время работы старайтесь сохранять руки теплыми - это поможет уменьшить вредное воздействие при работе с повышенной вибрацией.

Пыль материалов, как с краски с содержанием свинца, некоторых сортов древесины, минералов и металла может быть вредной для здоровья. Прикосновение к пыли и попадание пыли в дыхательные пути может вызвать аллергические реакции и/или заболевания дыхательных путей оператора или находящегося вблизи персонала.

Определенные виды пыли, как из дуба и бука, считаются канцерогенными, особенно, совместно с присадками для обработки древесины (хромат, средство для защиты древесины). Материал с содержанием асбеста разрешается обрабатывать только специалистам.

- По возможности применяйте отсос пыли.
- Для достижения максимально высокой эффективности собирания пыли при работе с данным электроинструментом, используйте пылесос, предназначенный для сбора пыли из древесины или для пыли из древесины и/или минеральной пыли.
- Следите за хорошей вентиляцией.
- Рекомендуется пользоваться дыхательной защитной маской с фильтром класса P2.

Соблюдайте действующие в Вашей стране предписания для обрабатываемых материалов.

Общие указания по безопасности при работе с электроинструментами



ПРЕДОСТЕРЕЖЕНИЕ! Прочитайте все предупреждения и указания по безопасности. Несоблюдение предупреждений и указаний по безопасности может привести к поражению электрическим током, от пожара и/или серьезные ранения.

Сохраните все предупреждения и указания для дальнейшего использования.

Термин "электроинструмент" во всех указанных ниже предупреждениях касается вашего электроинструмента, с питанием от сети (с кабелем) и/или электроинструмент с питанием от аккумуляторной батареи (без кабеля).

1. БЕЗОПАСНОСТЬ РАБОЧЕГО МЕСТА

- Содержите рабочее место в чистоте и хорошо освещенным. Беспорядок и недостаточное освещение являются предпосылками трудовых инцидентов.
- Не работайте с электроинструментами во взрывоопасной атмосфере при наличии воспламеняющихся жидкостей, газов или пыли. Электроинструменты создают искры, которые могут воспалить пыль или пары.
- Держите детей и посторонних лиц на расстоянии, когда работаете с электроинструментом. Рассеивание может привести к потере контроля с Вашей стороны.

2. ЭЛЕКТРИЧЕСКАЯ БЕЗОПАСНОСТЬ

- Штепселя электроинструментов должны соответствовать контактным гнездам. Никогда не меняйте штепсель каким-либо способом. Не используйте какие-либо адаптерные штепселя для электроинструментов с защитным заземлением. Использование оригинальных штепселей и соответствующим им контактов уменьшает риск от удара электрическим током.
- Избегайте соприкосновения тела с землей или с заземленными поверхностями, такими как трубы, радиаторы, кухонные плиты и холодильники. Если ваше тело заземлено, существует повышенный риск поражения электрическим током.
- Не оставляйте электроинструменты под дождем или во влажной среде. Проникновение воды в электроинструменты повышает риск от поражения электрическим током.
- Используйте кабель по назначению. Никогда не используйте кабель для переноса электроинструмента, натягивания или отключения штепселя из контактного гнезда.

да. Держите кабель далеко от тепла, масла, острых углов или движущихся частей. Поврежденные или запутанные кабели повышают риск от поражения электрическим током.

- Во время наружной работы с электроинструментом используйте удлинитель, подходящий для этих целей. Использование удлинителя, предназначенного для внешних / наружных работ, уменьшает опасность от поражения электрическим током.
- В случае, если работа с электроинструментом во влажной среде неизбежна, используйте предохранительное устройство, которое задействовано от остаточного тока для прерывания подачи тока. Использование предохранительного устройства уменьшает риск от поражения электрическим током.

3. ЛИЧНАЯ БЕЗОПАСНОСТЬ

- Будьте бдительны, работайте с повышенным вниманием и проявляйте благоразумие, когда работаете с электроинструментом. Не используйте электроинструмент, когда вы устали или находитесь под влиянием наркотиков, алкоголя или медикаментов. Момент невнимания при работе с электроинструментом может привести к серьезной производственной травме.
- Используйте индивидуальные средства защиты. Носите всегда защитные очки. Индивидуальные средства защиты, такие как маска против пыли, нескользкая обувь, защитный шлем или средства для защиты слуха, используемые в конкретных условиях, снижают риск от производственных травм.
- Избегайте невольного пуска инструмента. Убедитесь, что выключатель находится в положение „выключено“ перед включением к источнику питания и/или аккумуляторной батарее перед тем, как его возьмете в руки или переносите. Ношение электроинструмента с пальцем на выключателе или подключение к источнику питания электроинструмента с выключателем во включенном положении является предпосылкой для производственной травмы.
- Удалите каждый ключ для затягивания или гаечный ключ перед включением электроинструмента. Ключ для затягивания или гаечный ключ, прикрепленный к вращающейся части электроинструмента, может привести к трудовому инциденту.
- Не перетягивайтесь. Поддерживайте правильное положение и равновесие в течение всей работы. Это позволит лучше управлять электроинструментом при неожиданных ситуациях.
- Носите подходящую рабочую одежду. Не носите широкую одежду или украшения. Держите свои волосы, одежду и перчатки далеко от движущихся частей. Широкая одежда, бижутерия или длинные волосы могут попасть в движущиеся части.

- g) Если электроинструмент снабжен приспособлением для пыли, убедитесь, что они правильно установлены и правильно используются. *Использование этих устройств может понизить связанные с пылью опасности.*

4. ЭКСПЛУАТАЦИЯ И УХОД ЗА ЭЛЕКТРОИНСТРУМЕНТАМИ

- a) Не перегружайте электроинструмент. Используйте правильно выбранный электроинструмент согласно его предназначению. *Правильно подобранный электроинструмент работает лучше и безопасней для объявленного режима работы, для которого он спроектирован.*
- b) Не используйте электроинструмент в случае, если выключатель не переключается во включенное и исключенное положение. *Каждый электроинструмент, который не может управляться с помощью его выключателя, опасен и подлежит ремонту.*
- c) Отключите штепсель от электросети перед тем, как начать любые настройки, перед заменой принадлежностей или перед тем, как убрать электроинструмент для хранения. *Эти меры предосторожности снижают риск невольного пуска электроинструмента.*
- d) Сохраняйте неиспользованные электроинструменты в местах, недоступных для детей и не позволяйте обслуживающему персоналу, который не знаком с электроинструментом или инструкциями по эксплуатации, работать с ним. *Электроинструменты являются опасными в руках необученных потребителей.*
- e) Проверяйте электроинструменты. Проверьте, работают ли нормально и движутся ли свободно движущиеся части, находятся ли в целости и исправности части, а также проверяйте все прочие обстоятельства, которые могут неблагоприятно повлиять на работу электроинструмента. Если он поврежден, электроинструмент необходимо отремонтировать перед его дальнейшим использованием. *Много инцидентов причиняются от плохо обслуженных электроинструментов.*
- f) Поддерживайте режущие инструменты острыми и чистыми. *Правильно поддерживаемые режущие инструменты с острыми режущими углами реже блокируются и проще управляются.*
- g) Используйте электроинструмент, принадлежности и части инструмента и т.д. в соответствии с этими инструкциями и способом, предусмотренным для конкретного типа электроинструмента, имея в виду рабочие условия и работу, которую необходимо выполнять. *Использование электроинструмента для работы не по назначению может привести к опасной ситуации.*

5. ПРИМЕНЕНИЕ И ОБСЛУЖИВАНИЕ АККУМУЛЯТОРНОГО ИНСТРУМЕНТА

- a) Заряжайте аккумуляторы только в зарядных устройствах, рекомендуемых изготовителем. *Зарядное устройство, предусмотренное для определенного вида аккумуляторов, может привести к пожарной опасности при использовании его с другими аккумуляторами.*
- b) Применяйте в электроинструментах только предусмотренные для этого аккумуляторы. *Использование других аккумуляторов может привести к травмам и пожарной опасности.*
- c) Защищайте неиспользуемый аккумулятор от канцелярских скрепок, монет, ключей, гвоздей, винтов и других маленьких металлических предметов, которые могут замкнуть полюса. *Короткое замыкание полюсов аккумулятора может привести к ожогам или пожару.*
- d) При неправильном использовании из аккумулятора может потечь жидкость. Избегайте соприкосновения с ней. При случайном контакте промойте соответствующее место водой. Если эта жидкость попадет в глаза, то дополнительно обратитесь за помощью к врачу. *Вытекающая аккумуляторная жидкость может привести к раздражению кожи или к ожогам.*

6. СЕРВИС

- a) Ремонт Вашего электроинструмента поручайте только квалифицированному персоналу и только с применением оригинальных запасных частей. *Этим обеспечивается безопасность электроинструмента*

Дополнительные правила техники безопасности при использовании аккумуляторных дрелей

- Электроинструмент всегда находится в рабочем состоянии, без необходимости подключения в электрическую сеть. При монтаже или демонтаже батареи выключатель всегда необходимо устанавливать в позицию ВЫКЛЮЧЕН.
- Пользуйтесь средствами защиты слуха при использовании ударных дрелей. *Интенсивный шум во время работы может повредить слух.*
- Всегда используйте дополнительную рукоятку, если она входит в комплектацию инструмента. *Потеря контроля может привести к трудовому инциденту.*
- Держите электроинструмент за изолированные поверхности, предназначенные для этого, при выполнении операции, при которой режущий инструмент (крепежный элемент) может соприкоснуться со скрытой электропроводкой!

инсталляцией. *Соприкосновение режущего инструмента и проводки под напряжением может привести к тому, что открытые металлические части электроинструмента подвернутся воздействию электрического тока, что грозит опасностью поражения оператора электрическим током.*

- Всегда, когда это возможно, используйте скобы или тиски для фиксации обрабатываемого материала.
- Не прикасайтесь к сверлу непосредственно после выключения дрели, т.к. оно очень горячее.
- Во время работы с дрелью пользуйтесь защитной одеждой, включительно защитными очками и антифонами. Используйте маску против пыли в случае, если при конкретных работах выделяется пыль.
- Пыль, выделяемая при обработке материалов, содержащих кварц (диоксид силиция), вредна для здоровья. Не обрабатывайте материалы, содержащие азбест.
- Электроинструмент необходимо использовать только по назначению. Любое другое употребление, различное от описанного в этой инструкции, считается неправильным употреблением. Ответственность за любую поломку или ранение в результате неправильного употребления несет потребитель, а не производитель.
- Для правильной эксплуатации электроинструмента необходимо соблюдать правила техники безопасности, общие инструкции и указания по работе, указанные здесь. Все потребители должны ознакомиться с инструкцией по эксплуатации и проинформироваться о всех возможных рисках, связанных с работой электроинструмента. Детям и физически ослабленным лицам запрещено использовать этот электроинструмент. Дети, находящиеся вблизи места работ с использованием электроинструмента, должны находиться под постоянным наблюдением. В обязательном порядке необходимо предпринять превентивные меры безопасности. Это же условие касается соблюдения основных правил профессионального здоровья и безопасности.
- Изготовитель не несет ответственность за внешние изменения инструмента, или поломки, вызванные подобными изменениями.

Даже при условии, что электроинструмент используется исключительно по назначению, невозможно предупредить все факторы риска. Перечисленные далее риски возможны по причинам конструктивных особенностей и дизайнера электроинструмента.

- Проблемы с легкими, если не используется эффективная маска от пыли.
- Проблемы со слухом при отсутствии эффективных мер предосторожности.
- Электроинструментом не следует пользоваться под открытым небом в дождливую погоду, во влажной среде (после дождя) или вблизи легко воспламеняемых жидкостей и газов. Рабочее место должно быть хорошо освещено.

Знакомство с электроинструментом

Перед тем, как приступить к использованию электроинструмента, ознакомьтесь с его оперативными характеристиками и условиями безопасности.

Используйте электроинструмент и его принадлежности только по назначению. Любое другое приложение категорически запрещается.

1. Патронник
2. Переключатель скорости
3. Переключатель смены направления вращения
4. Кнопка освобождения батареи
5. Батарея*
6. Выключатель
7. Светодиодный индикатор для батареи
8. Светодиодное освещение рабочей зоны
9. Регулятор момента вращения
10. Зарядное устройство*
11. Переключатель рабочего режима

* Изображенные на рисунках или описанные в тексте аксессуары не входят в стандартный комплект поставки.

Указания по работе

Электроинструмент предназначен для завинчивания и отвинчивания винтов, а также для сверления в древесине, металле, керамике и пластмассе.

Кроме того, модель BUR2 18Li-C HD предназначена также для ударного сверления в кирпиче и каменной кладке.

МОНТАЖ И ДЕМОНТАЖ БАТАРЕИ (Рис. 1)

Демонтаж батареи: Нажмите на кнопку освобождения батареи (4) в указанном направлении (A), и выньте батарею из корпуса электроинструмента (B).



ПРЕДУПРЕЖДЕНИЕ: Всегда устанавливайте выключатель смены направления вращения (3) в среднюю позицию перед тем, как выполнять любые действия с электроинструментом, напр. монтаж и подзарядку батареи, замену наконечника, перенос, обслуживание или хранение электроинструмента.

Монтаж батареи: Вставьте батарею в основу электроинструмента, продвинув ее до характерного щелчка (C).

ИНДИКАТОР СОСТОЯНИЯ БАТАРЕИ (Рис. 2)

Состояние батареи во время работы контролируется светодиодным индикатором (7). Для того, чтобы активировать индикатор, нажмите кнопку выключателя (6).

Количество светящихся светодиодов показывает состояние батареи:

3	Заряд батареи: 60 - 100%
2	Заряд батареи: 30 - 60%
1	Заряд батареи: < 30%
1	Заряд батареи: < 20%. Необходимо зарядить батарею.
Мерцающий свет	<p>Проблема с батареей. Индикация активируется при нажатии на выключатель. Показывает одно из следующих состояний батареи:</p> <ul style="list-style-type: none"> ▪ Батарея разряжена ► Необходимо зарядить батарею; ▪ Задействована температурная защита ► Необходимо охладить батарею, прежде, чем вновь приступить к работе; ▪ Поврежденная батарея, или нераспознанная батарея ► Необходимо сменить батарею.

Направление выключения светодиодов обозначено на корпусе электроинструмента.

СВЕТОДИОДНОЕ ОСВЕЩЕНИЕ РАБОЧЕЙ ЗОНЫ

Электроинструмент снабжен светодиодным освещением (8) для повышения освещенности рабочей зоны во время работ в недостаточно освещенных местах. Светодиодное освещение включено до тех пор, пока нажат выключатель (6).

Машина имеет защиту от электрических перегрузок. После включения защиты машина отключается. Светодиодное освещение начинает мигать. Чтобы восстановить нормальную работу, освободите и вновь нажмите на выключатель (6).

НАСТРОЙКА НАПРАВЛЕНИЯ ВРАЩЕНИЯ (Рис. 3)

Крайнее правое положение переключателя смены направления вращения (3) (вид сзади) означает вращение против часовой стрелки, а крайнее левое - по направлению часовой стрелки. При нажатии выключателя (6) переключатель (3) не может быть задействован.

Когда переключатель (3) установлен в нейтральное положение, выключатель (6) не может быть нажат и машина не может быть включена.



ПРЕДУПРЕЖДЕНИЕ: Изменение направления вращения осуществляется только при остановленном шпинделе.

При выполнении отверстий и закручивании шурупов выключатель установлен в крайнее левое положение. Для откручивания шурупов переключатель устанавливается в крайнее правое положение.

ПУСК - ОСТАНОВКА

Пуск: нажать выключатель (6).

Остановка: освободить выключатель (6).

Электроинструмент оборудован электрическим тормозом. После освобождения выключателя шпиндель немедленно прекращает вращаться.

ЭЛЕКТРОННАЯ РЕГУЛИРОВКА СКОРОСТИ ВРАЩЕНИЯ

При легком нажиме на выключатель (6) электроинструмент приводится в действие на низких оборотах, которые плавно увеличиваются до максимальных по мере усиления нажима на выключатель, вплоть до упора.

РЕГУЛИРОВКА МОМЕНТА ВРАЩЕНИЯ (Рис. 4)

Поверните кольцо, расположенное под патронником, и установите регулятор (9) в одну из 20 позиций, для настройки момента вращения.

Позиции регулятора момента (9) позволяют более эффективно контролировать электроинструмент, используя его в качестве отвертки, тем самым предотвращая слишком тугое закручивание шурупов.

Показатель момента вращения обозначен числами, маркированным возле кольца. Чем больше число, тем больше момент вращения. Для того, чтобы выбрать подходящий момент, вращайте кольцо до тех пор, пока соответствующее число не совпадет со стрелкой на корпусе дрели.

1 ÷ 20	<p>Закручивание/откручивание шурупов Установите регулятор момента вращения (9) в одну из 20 позиций. Более низкий момент вращения рекомендуется для закручивания шурупов небольшого диаметра в не твердый материал. Более высокий момент вращения рекомендуется для закручивания шурупов большого диаметра в жесткий материал. BUR2 18Li-C HD Установите переключатель рабочего режима(11) напротив символа „винт“.</p>
	<p>Сверление Установите регулятор момента вращения (9) напротив этого символа, чтобы выполнять отверстия в металле, дереве и др. Электроинструмент снабжен тормозом. Шпиндель прекращает вращение сразу же после освобождения рычага выключателя. При перегрузке электроинструмента в режиме сверления, немедленно освободите выключатель, чтобы предотвратить перегрев электродвигателя при длительных работах. BUR2 18Li-C HD Установить переключатель рабочего режима (11) напротив символа „сверло“.</p>
	<p>Ударное сверление (BUR2 18Li-C HD) Установите переключатель рабочего режима (11) напротив этого символа, чтобы выбрать ударное сверление в кирпич, цемент, плитку и др.</p>

ПЕРЕКЛЮЧАТЕЛЬ ПЕРЕДАЧ (Рис. 5)

Двухскоростной переключатель (2) позволяет выбрать подходящую передачу, обеспечивающую оптимальную скорость и момент вращения в каждом отдельном случае.



ПРЕДУПРЕЖДЕНИЕ: Переключайте передачи только при выключенном шуруповерте.

1. Для настройки низкой передачи (низкой скорости, высокого момента вращения), сдвиньте ползун передач (2) назад. Маркированная на ползуне цифра **1** показывает выбранную передачу.
2. Для настройки высокой передачи (высокая скорость, низкий момент вращения), сдвиньте ползун передач (2) вперед. Маркированная на ползуне цифра **2** показывает выбранную передачу.

МОНТАЖ И ДЕМОНТАЖ НАКОНЕЧНИКА (РИС. 6)



ПРЕДУПРЕЖДЕНИЕ: Выньте батарею, или установите выключатель смены направления вращения (3) в среднее (нейтральное) положение (А).

Шуруповерт оборудован самоблокирующимся шпинделем, и при попытке закрутить патронник вручную, шпиндель автоматически заблокируется. Чтобы снять или отрегулировать длину наконечника, необходимо лишь крепко удерживая патронник, повернуть его корпус.

- Удерживая одной рукой электроинструмент, другой поверните патронник.
- Чтобы открыть патронник, поверните его в сторону, противоположную часовой стрелке. (В)
- Чтобы закрыть патронник, поверните его в сторону по часовой стрелке. (С)
- Вставьте наконечник. (D)
- Закройте патронник.
- Выполните пробный пуск для проверки правильности монтажа наконечника в центре патронника.

ЗАМЕНА ПАТРОННИКА



ПРЕДУПРЕЖДЕНИЕ: Замена патронника осуществляется только в специализированном сервисе. Не выполняйте замену патронника с помощью подручных инструментов, т.к. это может повредить аккумуляторный электроинструмент.

ВЫПОЛНЕНИЕ ОТВЕРСТИЙ

Выполнение отверстий в металле

- В целях достижения хорошего результата используйте сверла из быстрорежущей стали для металла или стали.

- Установить регулятор момента вращения (9) в позицию «сверло».
- BUR2 18Li-C HD** - Установить переключатель рабочего режима (11) напротив символа «сверло».
- Начните работать на низкой скорости, чтобы сверло не соскочило с начальной точки.
- Всегда крепко закрепляйте стальные листы.
- Фиксируйте тонкие металлические листы деревянными брусками, чтобы они не двигались.
- С помощью острого предмета отметьте центр отверстия, которое будете выполнять.
- Используйте смазочную жидкость, подходящую для обрабатываемого материала.

Материал	Смазочная жидкость
Сталь	Смазочное масло
Алюминий	Терпентин или парафин
Латунь, медь, чугун	Не используется смазочная жидкость

Выполнение отверстий в пластмассе и облицованном пластмассой ДПС

- Используйте сверла из быстрорежущей стали.
- Прочтите раздел «Выполнение отверстий в дереве» ниже.

Сверление кирпичной кладки (BUR2 18Li-C HD)

- Для достижения оптимального результата используйте карбид-закаленные ударные сверла для кладки, для сверления отверстий в кирпиче, черепице, бетоне.
- Установите режим «ударное сверление», повернув переключатель рабочего режима (11) напротив знака «молоток» и установите переключатель передач (2) в положение «2».
- При сверлении кирпича осуществляйте слабый нажим при умеренной скорости, для оптимизации результата.
- При сверлении твердых материалов, таких как бетон, применяйте дополнительный нажим и используйте высокую скорость.
- При сверлении отверстий в черепице, выполните пробное сверление в ненужном куске черепицы, чтобы определить наиболее подходящую скорость и нажим.

Выполнение отверстий в дереве

- Для получения хорошего результата, используйте сверла из быстрорежущей стали для дерева.
- Установите регулятор момента вращения (9) в позицию «сверло».
- BUR2 18Li-C HD** - Установить переключатель рабочего режима (11) напротив символа «сверло».
- Начинайте работать на низкой скорости, чтобы сверло не соскочило с начальной точки. Увеличьте скорость тогда, когда сверло войдет в материал.
- При выполнении сквозного отверстия, подложите под обрабатываемый материал деревянный брусок, для предотвращения разрывов или трещин в задней части отверстия.

Все операции

- Используйте только острые сверла.

- Маркируйте предварительно центр отверстия шилом или гвоздем.

ЗАКРУЧИВАНИЕ / ОТКРУЧИВАНИЕ ШУРУПОВ

Установите подходящий момент вращения, выбрав одно из чисел, маркированных на регуляторе момента вращения (9), напротив стрелки на корпусе. Вставьте необходимый наконечник.

BUR2 18Li-C HD - Установите переключатель рабочего режима(11) напротив символа „винт“.



ПРЕДУПРЕЖДЕНИЕ: Слишком сильное закручивание может привести к поломке шурупа или повреждению наконечника.



ПРЕДУПРЕЖДЕНИЕ: Если держать машину под углом к шурупу, можно повредить его головку, или же момент вращения не будет полностью передан шурупу. Необходимо всегда удерживать электроинструмент и шуруп на одной линии.

Обслуживание



ПРЕДУПРЕЖДЕНИЕ: Всегда устанавливайте переключатель смены направления вращения (3) в нейтральное положение перед тем, как приступить к любому обслуживанию, напр. при монтаже и подзарядке батареи, смене наконечника, переносе, обслуживании или хранении электроинструмента.

Регулярно проверяйте, насколько крепко закручены шурупы корпуса. В процессе применения шурупы могут раскрутиться из-за вибраций.

УДАЛЕНИЕ ЗАГРЯЗНЕНИЙ

Для обеспечения безопасной работы, всегда подерживайте электроинструмент и его вентиляционные отверстия в чистоте.

Регулярно проверяйте вентиляционную решетку в области электродвигателя или переключателей на наличие пыли или чужеродных тел. Удаляйте пыль с помощью мягкой щетки. Чтобы предохранить глаза, в процессе чистки пользуйтесь защитными очками.

Загрязнения с корпуса машины следует удалять мягкой влажной салфеткой. Можно использовать слабый моющий препарат.



ПРЕДУПРЕЖДЕНИЕ: Не допускается применение спирта, бензина или других растворителей. Никогда не используйте едкие препараты для чистки пластмассовых частей.



ПРЕДУПРЕЖДЕНИЕ: Не допускайте контакта и попадания воды в электроинструмент.

Инструкции по удалению загрязнений с устройства для подзарядки:



ПРЕДУПРЕЖДЕНИЕ: Перед тем, как приступить к чистке устройства для подзарядки, выключите его из электрической сети.

- Загрязненные и жирные внешние части устройства для подзарядки удаляются салфеткой или мягкой неметаллической щеткой. Не используйте для этого воду и чистящие растворы.

ВАЖНО! Для обеспечения безопасного использования электроинструмента и его надежности, любую деятельность по ремонту, обслуживанию и настройке необходимо осуществлять в специализированных мастерских SPARKY, используя только оригинальные запасные части.



Утилизация

Отслужившие свой срок электроинструменты, принадлежности и упаковки следует сдавать на экологически чистую рециркуляцию отходов.

Батареи, зарядные устройства, принадлежности и упаковки следует передавать для утилизации содержащегося в них сырья.

Только для стран-членов ЕС:

Не выбрасывайте электроинструменты в коммунальный мусор! Согласно Европейской Директиве 2012/19/EU о старых электрических и электронных инструментах и приборах, а также о претворении этой директивы в национальное право, отслужившие свой срок электроинструменты должны отдельно собираться и сдаваться на экологически чистую утилизацию.

Аккумуляторы, батареи:



Не выбрасывайте аккумуляторы/батареи в коммунальный мусор, не бросайте их в огонь или в воду. Аккумуляторы/батареи следует собирать и сдавать на рециркуляцию или на экологически чистую утилизацию.

Только для стран-членов ЕС:

Неисправные или пришедшие в негодность аккумуляторы/батареи должны быть утилизированы согласно Директиве 2006/66/ЕС.

Гарантия

Гарантийный срок электроинструментов SPARKY указан в гарантийной карте.

Неисправности, появившиеся в результате естественного изнашивания, перегрузки или неправильной эксплуатации, не входят в гарантийные обязательства.

Неисправности, появившиеся вследствие применения некачественных материалов и/или из-за производственных ошибок, устраняются без дополнительной оплаты путем замены или ремонта.

Рекламации дефектного электроинструмента SPARKY принимаются в том случае, если машина будет возвращена поставщику, или специализированному гарантийному сервису в не разобранном (первоначальном) состоянии.

Замечания

Внимательно прочитайте всю инструкцию по эксплуатации перед тем, как использовать это изделие.

Производитель сохраняет за собой право вносить в свои изделия улучшения и изменения, а также изменять спецификации без предупреждения.

Спецификации для разных стран могут различаться.

Зміст

Введення.....	73
Технічні дані.....	75
Загальні вказівки з безпеки при роботі з електроприладами.....	76
Додаткові правила техніки безпеки під час використання акумуляторних дрелів.....	77
Знайомство з електроінструментом.....	78
Вказівки щодо роботи.....	78
Обслуговування.....	80
Утилізація.....	81
Гарантія.....	81

РОЗПАКУВАННЯ

Електроінструмент поставляється укомплектованим, у справному вигляді. У разі виявлення невідповідностей не рекомендуємо використовувати інструмент до тих пір, поки виявлений дефект не буде усунуто. Невиконання цієї рекомендації може стати причиною травми.

ЗБІРКА

Акумуляторний шурупверт/дріль постачається в упаковці у повністю зібраному вигляді.

Введення

Прилади зроблено відповідно до найвищих стандартів якості SPARKY. Їх використання є легким і безпечним. При правильному використанні інструмент буде служити вам протягом тривалого часу.



ЗАСТЕРЕЖЕННЯ!

Прочитайте уважно і цілком інструкцію з експлуатації, перед використанням новоприданого електроінструменту SPARKY. Зверніть спеціальну увагу на параграфи, позначених словом "Застереження". У Вашого електроінструменту SPARKY багато якостей, які полегшують роботу. При розробці цього інструменту основну увагу було направлено на безпеку, експлуатаційні якості і надійність, які полегшують його обслуговування і експлуатацію.



Не викидайте електроінструменти разом з побутовими відходами!

Відходи від електричних виробів не варто збирати разом з побутовими відходами. Будь ласка, викидайте в місцях, призначених для цього. Зв'яжіться з місцевою владою або представником для консультації щодо повторної переробки.



ОХОРОНА НАВКОЛИШНЬОГО СЕРЕДОВИЩА

З урахуванням охорони навколишнього середовища електроінструмент, приналежності й упаковки повинно надати відповідній переробці для повторного використання сировини, що міститься в них. Для полегшення повторної переробки деталей, зроблених з штучних матеріалів, вони позначені відповідним чином.

ОПИС СИМВОЛІВ

На таблиці з даними електроінструменту нанесені спеціальні символи. Вони являють собою важливу інформацію про використання інструмента і його характеристики.



Відповідає чинним європейським директивам



Ознайомтеся з інструкцією з користування



Відповідає регламентам Митного союзу

YYYY-Www

Термін виробництва, де змінними символами є: YYYY - рік випуску, ww – черговий календарний тиждень



Відповідає вимогам українських нормативних документів

BR, BUR

АКУМУЛЯТОРНА ДРИЛЬ/ШУРУПОВЕРТ

На поверхні батареї позначені спеціальні символи. Вони надають собою важливу інформацію про виріб або інструкції про користування.



Утилізація Li-Ion батарей



Не мочити, берегти від дощу та води!



Не нагрівати, зберігати подалі від сонячного світла і вогню!



Допустимий температурний діапазон підзарядки 0 + 45°C

Технічні дані

Модель		BR2 18Li-C HD	BUR2 18Li-C HD*
• Електродвигун	V	18	18
• Швидкість холостого ходу (I швидкість/II швидкість)	min ⁻¹	0-350/0-1350	0-350/0-1350
• Частота ударів (I швидкість/II швидкість)	min ⁻¹	–	5250/20250
• Макс. момент обертання	Nm	40	40
• Регулювання обертаючого моменту (положення регулятора)		20+1	20+1
• Об'єм патронника	mm	1,5–13	1,5–13
• Максимальний діаметр свердла для сталі/дерева/кладки	mm	13/20/–	13/20/13
• Максимальний діаметр шурупа для дерева	mm	8	8
• Електронне регулювання обертів, правий - лівий хід		так	так
• Електричне гальмо		так	так
• Шпindel, що вимикається		так	так
• Світлодіодне освітлення робочої зони		так	так
• Світлодіодний індикатор підзарядки		так	так
• Двошвидкісна передача		так	так
• Вага з батареєю 2 Ah / 4 Ah (EPTA процедура 01/2014)	kg	1,3 / 1,6	1,4 / 1,6

ІНФОРМАЦІЯ ПРО ШУМ І ВІБРАЦІЇ (Показники заміряні згідно EN 60745.)

• Рівень шуму:

A-зважений рівень звукового тиску L_{pA}	dB(A)	72	76
Невизначеність K_{pA}	dB	3	3
A-зважений рівень звукової потужності L_{WA}	dB(A)	83	87
Невизначеність K_{WA}	dB	3	3



Користуйтеся засобами захисту від шуму!

• Випромнені вібрації (Рівень вібрацій визначений згідно п. 6.2.7 EN 60745)

Загальний рівень вібрації (векторна сума по трьох осях), заміряний згідно EN 60745:

Показник заміряних вібрацій у разі ударної дії $a_{h,D}$	m/s ²	–	9,4
Невизначеність $K_{h,D}$	m/s ²	–	1,5
Показник заміряних вібрацій $a_{h,D}$	m/s ²	< 2,5	< 2,5
Невизначеність $K_{h,D}$	m/s ²	1,5	1,5

* Моделі ударної дії

Вказаний в інструкції рівень вібрацій виміряний відповідно до встановлених EN 60745 методик випробувань, і може використовуватися для порівняння електроінструментів. Рівень вібрацій може використовуватися для попередньої оцінки впливу.

Зазначений рівень вібрацій надано за умови використання інструменту за його прямим призначенням. У тих випадках, коли електроінструмент використовується для інших цілей, з іншими речами, рівень вібрацій може відрізнятися від зазначеного. У цих випадках рівень впливу може значно зрости в рамках загального періоду роботи.

Для точної оцінки впливу вібрацій, під час певного періоду роботи необхідно враховувати проміжки часу, в які електроінструмент вимкнено, або хоча і включений, але фактично не використовується. Це може істотно скоротити вплив вібрацій протягом всього періоду роботи.

Зберігайте електроінструмент і його речі в гарному стані. Під час роботи намагайтеся зберігати руки теплими - це допоможе зменшити шкідливий вплив при роботі з підвищеною вібрацією.

Пил матеріалів, наприклад - фарби з вмістом свинцю, деяких сортів деревини, мінералів і металу може бути шкідливим для здоров'я. Дотик до пилу і потрапляння пилу в дихальні шляхи може викликати алергічні реакції та / або захворювання дихальних шляхів оператора або персоналу, що знаходиться поблизу.

Певні види пилу, наприклад, з дуба та бука, вважаються канцерогенними, особливо, спільно з присадками для обробки деревини (хромат, засіб для захисту деревини, тощо). Матеріал з вмістом азбесту дозволяється обробляти тільки фахівцям.

- По можливості застосовуйте відсмоктування пилу.
- Для досягнення максимально високої ефективності збирання пилу при роботі з даним приладом, використовуйте пилосос, призначений для збору пилу з деревини або для пилу з деревини та / або мінерального пилу.
- Слідуйте за хорошою вентиляцією.
- Рекомендується користуватися дихальною захисною маскою з фільтром класу P2.

Дотримуйтесь розпорядження щодо оброблюваних матеріалів, що діють у Вашій країні.

Загальні вказівки з безпеки при роботі з електроприладами



ЗАСТЕРЕЖЕННЯ! Прочитайте всі **ЗАСТЕРЕЖЕННЯ** і вказівки з безпеки. *Недодержання попереджень і вказівок з безпеки може призвести до ураження електричним струмом, пожежі та / або важкого поранення.*

Збережіть всі застереження та вказівки для подальшого використання.

Термін "електроприлад" у всіх зазначених нижче застереженнях стосується вашого електроприладу, з живленням від мережі (з кабелем), та / або електроприладу з живленням від акумуляторної батареї (без кабелю).

1. БЕЗПЕКА РОБОЧОГО МІСЦЯ

- a) Утримайте робоче місце в чистоті і добре освітленим. Безлад і недостатнє освітлення є передумовою виникнення трудових інцидентів.
- b) Не працюйте з електроприладами у вибухонебезпечній атмосфері при наявності займих рідин, газів або пилу. Електроприлади створюють іскри, що можуть займати пил або пари.
- c) Тримайте дітей та сторонніх осіб на відстані, коли працюєте з електроприладом. Розсіювання уваги може призвести до втрати контролю з Вашого боку.

2. ЕЛЕКТРИЧНА БЕЗПЕКА

- a) Штепселі електроприладів повинні відповідати контактним гніздам. Ніколи не змінюйте штепсель у будь-який спосіб. Не використовуйте будь-які адаптерні штепселі для електроприладів із захисним заземленням. Використання оригінальних штепселів і відповідних їм контактів зменшує ризик удару електричним струмом.
- b) Уникайте дотику тіла з землею або заземленими поверхнями, такими як труби, радіатори, кухонні плити та холодильники. Якщо ваше тіло заземлене, існує підвищений ризик ураження електричним струмом.
- c) Не залишайте електроприлади під дощем або у вологому середовищі. Проникнення води в електроприлади підвищує ризик ураження електричним струмом.
- d) Використовуйте кабелі за призначенням. Ніколи не використовуйте кабель для перенесення електроприладу, натягування або відключення штепселя з контактної гнізда. Тримайте кабель далеко від тепла, олії, гострих кутів, що рухаються. Пошкоджені або заплутані кабелі підвищують ризик поразок електричним струмом.
- e) Під час зовнішніх робіт використовуйте подовжувач, що підходить для цих цілей. Використання подовжувача, призначеного для зовнішніх робіт, зменшує небезпеку від ураження електричним струмом.

ристання подовжувача, призначеного для зовнішніх робіт, зменшує небезпеку від ураження електричним струмом.

- f) У випадку, якщо робота з електроприладом у вологому середовищі неминуча, використовуйте запобіжний пристрій, який робить на залишковому струмі для переривання подачі струму. Використання запобіжного пристрою зменшує ризик ураження електричним струмом.

3. ОСОБИСТА БЕЗПЕКА

- a) Будьте пильні, працюйте з підвищеною увагою і проявляйте розсудливість, коли працюєте з електроприладом. Не використовуйте електроприлад, коли ви стомлені, або під впливом наркотиків, алкоголю, медикаментів, тощо. Одна мить неухваги при роботі з електроприладом може призвести до серйозної виробничої травми.
 - b) Використовуйте індивідуальні засоби захисту. Носіть завжди захисні окуляри. Індивідуальні засоби захисту, такі як маска проти пилу, неслизьке взуття, захисний шолом або засоби для захисту слуху, що використовуються в конкретних умовах, знижують ризик виникнення виробничих травм.
 - c) Уникайте мимовільного пуску інструменту. Переконайтеся, що вимикач знаходиться в положенні "вимкнено" перед включенням в джерело живлення та / або акумуляторної батареї, перед тим, візьмете в руки або перенесите. Носіння електроприладу з пальцем на вимикачі або підключення до джерела живлення електроінструменту з вимикачем у включеному положенні є передумовою для виробничої травми.
 - d) Видаліть кожен гайковий ключ перед включенням електроприладу. Ключ для затягування або гайковий ключ, прикріплений до частини електроприладу, що обертається, може призвести до трудового інциденту.
 - e) Не простягайтесь занадто. Підтримуйте правильне положення і рівновагу протягом всієї роботи. Це дозволить краще керувати електроприладом у несподіваних ситуаціях.
 - f) Носіть придатний одяг. Не носіть широкий одяг або прикраси. Тримайте своє волосся, одяг і рукавички далеко від рухомих частин. Широкий одяг, біжутерія та довге волосся можуть потрапити в рухомі частини.
 - g) Якщо електроприлад має пристосування для пилу, переконайтеся, що воно правильно встановлено і правильно використовується. Використання цих пристроїв може знизити пов'язані з пилом небезпеки.
- ## 4. ЕКСПЛУАТАЦІЯ І ДОГЛЯД ЗА ЕЛЕКТРОПРИЛАДАМИ
- a) Не перевантажуйте електроприлад. Використовуйте правильно вибраний електроприлад згідно з його призначенням. Правильно підібраний електроприлад працює краще і безпечніше для оголошеного режиму роботи, для якого він



спроєктований.

- b) Не використовуйте електроприлад у випадку, якщо вимикач не переходить у включену і виключену позицію. Кожен електроприлад, який не може управлятися за допомогою вимикача, є небезпечним і підлягає ремонту.
- c) Вимкніть штепсель від електромережі перед тим, як почати будь-які налаштування, перед заміною приладдя або перед тим, як прибрати електроприлад для зберігання. Ці запобіжні заходи знижують ризик мимовільного пуску електроприладу.
- d) Зберігайте невикористані електроприлади в місцях, недоступних для дітей, і не дозволяйте користуватися ним обслуговуючому персоналу, який не знайомий з електроприладом або інструкціями з експлуатації. Електроприлади є небезпечними в руках ненавчених споживачів.
- e) Перевіряйте електроприлади. Перевіряйте, чи працюють нормально і рухаються вільно рухомі частини, чи знаходяться в цілості і справності усі частини, а також перевіряйте всі інші обставини, які можуть негативно вплинути на роботу електроприладу. У разі ушкодження електроприлад необхідно відремонтувати перед його подальшим використанням. Багато інцидентів заподіюються у випадку поганого обслуговування електроприладів.
- f) Підтримуйте ріжучі інструменти гострими і чистими. Правильно підтримані ріжучі інструменти з гострими кутами рідше блокуються і простіше управляються.
- g) Використовуйте електроприлад, приналежності (комплектуючі) і частини інструменту і т.д. відповідно до цих інструкцій та у засіб, передбачений для конкретного типу електроприладу, маючи на увазі робочі умови і роботу, яку необхідно виконувати. Використання електроприладу для роботи не за призначенням може призвести до небезпечної ситуації.

5. ПРАВИЛЬНЕ ПОВОДЖЕННЯ ТА ПРАЦЮЮТЬ НА АКУМУЛЯТОРНИХ БАТАРЕЯХ

- a) Заряджайте акумуляторні батареї лише в зарядних пристроях, рекомендованих виготовлювачем. Використання зарядного пристрою для акумуляторних батарей, для яких він не передбачений, може призводити до пожежі.
- b) Використовуйте в електроприладах лише рекомендовані акумуляторні батареї. Використання інших акумуляторних батарей може призводити до травм та пожежі.
- c) Не зберігайте акумуляторну батарею, якою Ви саме не користуєтесь, поряд із канцелярськими скріпками, ключами, гвіздками, гвинтами та іншими невеликими металевими предметами, які можуть спричинити перемикання контактів. Коротке замикання між контактами акумуляторної батареї може спричинити опіки або пожежу.

- d) При неправильному використанні з акумуляторної батареї може потекти рідина. Уникайте контакту з нею. При випадковому контакті промийте відповідне місце водою. Якщо рідина потрапила в очі, додатково зверніться до лікаря. Акумуляторна рідина може спричинити подразнення шкіри або опіки.

6. СЕРВІС

- a) Віддавайте свій прилад на ремонт лише кваліфікованим фахівцям та лише з використанням оригінальних запчастин. Це забезпечить безпеку приладу на довгий час.

Додаткові правила техніки безпеки під час використання акумуляторних дрелів

- Електроінструмент завжди знаходиться у робочому стані, без необхідності підключення до електричної мережі. Під час монтажу або демонтажу батареї вимикач завжди необхідно встановлювати у позицію ВИМКНЕНО.
- Користуйтеся засобами захисту слуху під час використання ударних дрелів. Інтенсивний шум під час роботи може пошкодити слух.
- Завжди використовуйте додаткове руків'я, якщо воно входить у комплектацію інструмента. Втрата контролю може призвести до трудового інциденту.
- У разі безпеки від зіткнення свердла або гвинта, що закручується, з прихованою електропроводкою, тримайте електроінструмент тільки за його ізольовані поверхні / ручки. Зіткнення свердла з електричною проводкою передасть електричну напругу на відкриті металеві частини електроінструменту, і оператор отримає удар електричним струмом.
- Завжди, коли це можливо, використовуйте скоби або лещата для фіксації оброблюваного матеріалу.
- Не торкайтеся свердла безпосередньо після вимкнення дрелі, тому що воно дуже гаряче.
- Під час роботи з дрелем користуйтеся захисним одягом, у тому числі захисними окулярами та антифонами. Використовуйте маску проти пилу у разі, якщо під час конкретних робіт виділяється пил.
- Пил, що виділяється під час обробки матеріалів, що містять кварц (діоксид силіцію), шкідливий для здоров'я. Не обробляйте матеріали, що містять азбест.
- Електроінструмент необхідно використовувати тільки за призначенням. Будь-яке інше використання, відмінне від описаного у цій інструкції, вважається неправильним використанням. Відповідальність за будь-яку поломку або поранення у результаті неправильного вживання несе споживач, а не виробник.
- Для правильної експлуатації електроінструмента необхідно дотримуватись правил техніки без-





пеки, загальних інструкцій та вказівок по роботі, зазначених тут. Всі споживачі повинні ознайомитися з інструкцією по експлуатації та поінформувати про всі можливі ризики, пов'язані з роботою електроінструменту. Дітям та фізично ослабленим особам заборонено використовувати цей електроінструмент. Діти, що знаходяться поблизу місця робіт із використанням електроінструменту, повинні перебувати під постійним наглядом. В обов'язковому порядку необхідно вжити превентивні заходи безпеки. Це ж умова стосується дотримання основних правил охорони професійного здоров'я і безпеки.

- Виробник не несе відповідальності за внесення споживачем зміни в електроінструмент, або помилки, викликані подібними змінами.

Навіть за умови, що електроінструмент використовується виключно за призначенням, неможливо попередити всі фактори ризику. Перераховані далі ризики можливі з причин конструктивних особливостей та дизайну електроінструменту.

- Проблеми з легенями, якщо не використовується ефективна маска від пилу.
- Проблеми зі слухом у разі відсутності ефективних запобіжних заходів.
- Електроінструментом не слід користуватися під відкритим небом у дощову погоду, у вологому середовищі (після дощу) або поблизу легкозаймистих рідин і газів. Робоче місце має бути добре освітлене.

Знайомство з електроінструментом

Перед тим, як розпочати використання електроінструменту, ознайомтеся з його оперативними особливостями та умовами техніки безпеки. Використовуйте електроінструмент і його приладдя тільки за призначенням. Будь-яке інше застосування інструменту.

1. Патронник
2. Перемикач швидкості
3. Перемикач зміни напрямку обертання
4. Кнопка звільнення батареї
5. Батарея*
6. Вимикач
7. Світлодіодний індикатор для батареї
8. Світлодіодне освітлення робочої зони
9. Регулятор моменту обертання
10. Зарядний пристрій*
11. Перемикач робочого режиму

* Зображені на малюнках або описані у тексті аксесуари не входять в стандартний обсяг поставки.

Вказівки щодо роботи

Електроприлад призначений для закручування і викручування гвинтів, а також для свердлення в деревині, метали, кераміці і пластмасі.

Крім того, BUR2 18Li-C HD призначений також для ударного свердлення у цеглі і кам'яній кладці.

МОНТАЖ І ДЕМОНТАЖ БАТАРЕЇ (Рис. 1)

Демонтаж батареї: натисніть на кнопку звільнення батареї (4) у вказаному напрямку (A), і вийміть батарею з корпусу електроінструменту (B).



ПОПЕРЕДЖЕННЯ: Завжди встановлюйте перемикач зміни напрямку обертання (3) у середню позицію перед тим, як виконувати будь-які дії з електроінструментом, наприклад, монтаж і підзарядку батареї, заміну наконечника, перенесення, обслуговування чи зберігання електроінструменту.

Монтаж батареї: Вставте батарею в основу електроінструмента, просунувши її до характерного клацання. (C)

ІНДИКАТОР СТАНУ БАТАРЕЇ (Рис. 2)

Стан батареї під час роботи контролюється світлодіодним індикатором (7). Для того, щоб активувати індикатор, натисніть на вимикач (6).

Кількість світло діодів, що світяться, вказує на стан батареї.

3	Заряд батареї: 60 - 100%
2	Заряд батареї: 30 - 60%
1	Заряд батареї: <30%
1 мерехтливе світло	Заряд батареї: <20%. Необхідно зарядити батарею.
мерехтливе світло	Проблема з батареєю. Індикація активується при натисканні на вимикач. Показує один з таких станів батареї: <ul style="list-style-type: none"> • Батарея розряджена ► Необхідно зарядити батарею; • Задіяний температурний захист ► Необхідно охолодити батарею, перш, ніж знову приступити до роботи; • Пошкоджена батарея, або нерозпізнана батарея ► Необхідно змінити батарею.

Напрямок гасання світлодіодів позначено на корпусі електроінструменту.

СВІТЛОДІОДНЕ ОСВІТЛЕННЯ РОБОЧОЇ ЗОНИ

Електроінструмент оснащений світлодіодним освітленням (8) для підвищення освітленості робочої зони під час роботи у недостатньо освітлених місцях. Світлодіодне освітлення буде ввімкнено до тих пір, поки буде натиснутий вимикач (6).

НАСТРОЙКА НАПРЯМКУ ОБЕРТАННЯ (Рис. 3)

Крайнє праве положення важеля зміни напрямку обертання (3) (вид ззаду) означає обертання у напрямку проти годинникової стрілки, а крайнє ліве - у напрямку годинникової стрілки. У разі натискання вимикача (6) перемикач (3) не може бути задіяний.

Якщо перемикач (3) встановлено у нейтральну позицію, вимикач (6) не можна натиснути, і машина не може бути приведена в дію.





ПОПЕРЕДЖЕННЯ: Змінювати напрямок обертання слід тільки при зупиненому шпинделі.

Під час виконання отворів та закручування шурупів вимикач встановлений у крайнє ліве положення. Для відкручування шурупів перемикач встановлюється у крайнє праве положення.

ПУСК - ЗУПИНКА

Пуск: натиснути вимикач (6).

Зупинка: вивільнити вимикач (6)

Електроінструмент оснащений електричним гальмом. Шпindelь припиняє обертання відразу ж після повного звільнення важеля вимикача.

ЕЛЕКТРОННЕ РЕГУЛЮВАННЯ ШВИДКОСТІ ОБЕРТАННЯ

Легке натиснення вимикача (6) приводить електроінструмент у дію на низьких оборотах, які плавно збільшуються до максимальних по мірі збільшення натискання на вимикач виключно до упору.

РЕГУЛЮВАННЯ МОМЕНТУ ОБЕРТАННЯ (РИС. 4)

Обертаючи кільце, розташоване за патроном, регулятор (9) можна встановити в одне з 20 положень, налаштувавши таким чином момент обертання.

Положення регулятора моменту обертання (9) дозволяють краще контролювати електроінструмент тоді, коли він використовується в якості викрутки, запобігаючи занадто тугому закручуванню шурупів. Показник моменту обертання позначається числами, маркованими біля кільця. Чим вище число, тим вище момент обертання. Щоб налаштувати відповідний момент, обертайте кільце до тих пір, поки відповідне число не співпаде зі стрілкою на корпусі дреля.

1 ÷ 20	<p>Закручування/відкручування шурупів Встановіть регулятор моменту обертання (9) в одне з 20 позицій. Більш низький момент обертання рекомендується для закручування шурупів невеликого діаметру у не твердий матеріал. Більш високий момент обертання рекомендується для закручування шурупів великого діаметру у жорсткий матеріал. BUR2 18Li-C HD - Встановіть перемикач робочого режиму (11) навпроти символу «гвинт».</p>
	<p>Свердління Встановіть регулятор моменту обертання (9) навпроти цього символу, щоб здійснювати отвори у метали, дереві та ін. Електроінструмент забезпечений гальмом. Шпindelь припиняє обертання відразу ж після звільнення важеля вимикача. У разі перевантаження електроінструменту у режимі свердління, негайно звільніть вимикач, щоб запобігти перегріву електродривагуна під час тривалих робіт. BUR2 18Li-C HD - Встановіть перемикач робочого режиму (11) навпроти цього символу.</p>



Ударне свердління (BUR2 18Li-C HD)

Встановіть перемикач робочого режиму (11) навпроти цього символу, для того, щоб почати ударне свердління отворів в цеглі, цементі, плитці та ін.

ПЕРЕМИКАЧ ШВИДКОСТІ (РИС. 5)

Двоступеневий перемикач швидкості (2) дозволяє у кожному конкретному випадку вибрати найбільш підходящу передачу оптимальної швидкості і момент обертання.



ПОПЕРЕДЖЕННЯ: Перемикайте передачі, тільки якщо шурупверт вимкнений

- Для того, щоб налаштувати низьку передачу (низька швидкість, високий момент обертання), пересуньте перемикач швидкості (2) вперед. Маркована на перемикачі цифра **1** вказує на вибрану швидкість.
- Для того, щоб налаштувати високу передачу (висока швидкість, низький момент обертання), пересуньте перемикач швидкості (2) вперед. Маркована на перемикачі цифра **2** вказує на вибрану швидкість.

МОНТАЖ І ДЕМОНТАЖ НАКОНЕЧНИКА (РИС. 6)



ПОПЕРЕДЖЕННЯ: Вийміть батарею, або увімкніть зміну напрямку обертання (3) у середнє (нейтральне) положення (А).

Шурупверт оснащений шпindelем, що блокується самостійно. Це означає, що у разі спроби повернути патронник вручну, шпindelь автоматично заблокується. Для того, щоб демонтувати або відрегулювати довжину наконечника, необхідно лише міцно затиснути патрон, і повернути його корпус.

- Утримуючи інструмент однією рукою, іншою поверніть патрон.
- Щоб відкрити патрон, поверніть його проти годинникової стрілки. (B)
- Щоб закрити патрон, поверніть його за годинниковою стрілкою. (D)
- Вставте наконечник. (C)
- Закрийте патронник.
- Виконайте пробний пуск, і переконайтеся у працездатності кріплення наконечника у центрі патрона.

ЗАМІНА ПАТРОННИКА



ПОПЕРЕДЖЕННЯ: Заміна патронника здійснюється тільки у спеціалізованому сервісному центрі. Не виконуйте заміну патронника за допомогою підручних інструментів, тому що це може пошкодити акумуляторний електроінструмент.

СВЕРДЛІННЯ ОТВОРІВ

Свердління отворів у метали

- Для досягнення хорошого результату, використовуйте свердла зі швидкорізальної сталі для металу або сталі.
- Встановіть регулятор моменту обертання (9) у позицію «свердло».
BUR2 18Li-C HD - Встановіть перемикач робочого режиму (11) навпроти символу «свердло».
- Почніть свердління на низькій швидкості, щоб свердло не зісковзнуло з початкової точки.
- Завжди міцно укріплюйте сталеві листи.
- Фіксуйте тонкі металеві листи дерев'яними брусками, щоб вони не рухалися.
- Використовуйте гострий предмет, щоб маркувати центр просвердлювання отвору.
- Використовуйте мастило, яке підходить для оброблюваного матеріалу.

Матеріал	Мастило
Сталь	Змащувальне мастило
Алюміній	Терпентин або парафін
Латунь, мідь, чавун	Не використовуються мастильні рідини

Свердління отворів у пластмасі й облицьованому пластмасою ДСП

- Використовуйте свердла зі швидкорізальної сталі.
- Ознайомтеся з розділимо «Свердління отворів у дереві» нижче.

Свердління цегляної кладки (BUR2 18Li-C HD)

- Для досягнення оптимального результату використовуйте карбід-загартовані ударні свердла для кладки, для свердління отворів у цеглі, черепиці, бетони.
- Встановіть режим «ударне свердління», встановивши перемикач робочого режиму (11) проти символу «молоток», а перемикач швидкості (2) встановіть у положення «2».
- Під час свердління цегли здійсніть слабкий натиск при помірній швидкості, для оптимізації результату.
- Під час свердління твердих матеріалів, таких як бетон, застосовуйте додатковий натиск і використовуйте високу швидкість.
- Під час свердління отворів у черепиці, виконайте пробне свердління у непотрібному шматку черепиці, щоб визначити найбільш підходящу швидкість і натиск.

Свердління отворів у дереві

- Для досягнення хорошого результату, використовуйте свердла зі швидкорізальної сталі для свердління дерева.
- Встановіть регулятор моменту обертання (9) у позицію «свердло».
BUR2 18Li-C HD - Встановіть перемикач робочого режиму (11) навпроти символу «свердло».
- Почніть свердління на низькій швидкості, щоб свердло не зісковзнуло з початкової точки. Збільшуйте швидкість після того, як свердло увійде у матеріал.
- Під час свердління наскрізного отвору підкладіть під оброблюваний матеріал шматок дерева, щоб запобігти розриву або розтріскування задньої частини отвору.

Усі операції

- Використовуйте тільки гострі свердла.
- Маркуйте попередньо центр отвору шилом або цвяхом.

ЗАКРУЧУВАННЯ / ВІДКРУЧУВАННЯ ШУРУПІВ

Виберіть відповідний момент обертання, встановивши одне з чисел, маркованих на регуляторі (9), навпроти стрілки на корпусі.

Вставте необхідний наконечник.

BUR2 18Li-C HD - Встановіть перемикач робочого режиму (11) навпроти символу «гвинт».



ПОПЕРЕДЖЕННЯ: Дуже сильне закручування може призвести до поломки шурупа або пошкодження наконечника.



ПОПЕРЕДЖЕННЯ: Якщо тримати машину під кутом до шурупа, можна пошкодити його голівку, або ж момент обертання не буде повністю переданий шурупу. Необхідно завжди утримувати електроінструмент і шуруп на одній лінії.

Обслуговування



ПОПЕРЕДЖЕННЯ: Завжди встановлюйте перемикач зміни напрямку обертання (3) у середнє положення перед тим, як розпочати будь-яке обслуговування, наприклад, монтаж і підзарядку батареї, зміну наконечника, перенесення, огляд або зберігання електроінструменту.

Регулярно перевіряйте, наскільки міцно закручені шурупи корпусу. В процесі застосування шурупи можуть розкрутитися через вібрації.

ВИДАЛЕННЯ ЗАБРУДНЕНЬ

Для забезпечення безпечної роботи, завжди підтримуйте електроінструмент і його вентиляційні отвори у чистоті.

Регулярно перевіряйте вентиляційну решітку в області електродвигуна або перемикачів на наявність пилу або чужорідних тіл. Видаляйте пил за допомогою м'якої щітки. Щоб вберегти очі, у процесі чищення користуйтеся захисними окулярами.

Забруднення з корпусу машини слід видаляти м'якою вологою серветкою. Можна використовувати слабкий миючий засіб.



ПОПЕРЕДЖЕННЯ: Не допускається використовувати спирт, бензин або інші розчинники. Ніколи не використовуйте їдкі препарати для чищення пластмасових частин.



ПОПЕРЕДЖЕННЯ: Не допускайте контакту і потрапляння води в електроінструмент.

Інструкції з видалення забруднень із пристрою для підзарядки:



ПОПЕРЕДЖЕННЯ: Перед тим, як розпочати чищення пристрою для підзарядки, вимкніть його з електричної мережі.

- Забруднені і жирні зовнішні частини пристрою для підзарядки видаляються серветкою або м'якою неметалевою щіткою. Не використовуйте для цього воду та розчини для чищення.

ВАЖЛИВО! Для забезпечення безпечного використання електроінструменту і його надійності, будь-яку діяльність із ремонту, обслуговування та налаштування необхідно здійснювати у спеціалізованих майстернях SPARKY, використовуючи лише оригінальні запасні частини.



Утилізація

Електроінструменти, приладдя й упаковки, що відслужили свій термін слід здавати на екологічно чисту рециркуляцію відходів.

Батареї, зарядні пристрої, аксесуари і упаковки слід передавати для утилізації сировини, що вони містять.

Тільки для країн-членів ЄС:

Не викидайте електроінструменти у комунальне сміття! Згідно Європейської Директиви 2012/19/EU про старі електричні й електронні інструменти і прилади, а також про включення цієї директиви у національне право, електроінструменти, що відслужили свій термін повинні окремо збиратися і здаватися на екологічно чисту утилізацію.

Акумулятори, батареї:



Не викидайте акумулятори/батареї у комунальне сміття, не кидайте їх у вогонь або у воду. Акумулятори/батареї слід збирати і здавати на рециркуляцію або на екологічно чисту утилізацію.

Тільки для країн-членів ЄС:

Акумулятори/батареї, що несправні або прийшли у непридатність, повинні бути утилізовані згідно з Директивою 2006/66/ЕС.

Гарантія

Гарантійний термін електроприладів SPARKY вказаний в гарантійній карті

Несправності, що з'явилися в результаті природного зношування, перевантаження або неправильного користування, не входять до гарантійних зобов'язань.

Несправності, що з'явилися внаслідок застосування неякісних матеріалів та / або через виробничі помилки, усуваються без додаткової оплати шляхом заміни або ремонту.

Рекламації дефектного електроприладу SPARKY приймаються у тому випадку, якщо прилад буде повернуто постачальнику, або спеціалізованому гарантійного сервісу в не розібраному (початковому) стані.

Примітки

Уважно прочитайте всю інструкцію з експлуатації, перед тим, як приступити до використання виробу. Виробник зберігає за собою право вносити у свої вироби поліпшення і зміни, а також змінювати специфікації без застереження.

Специфікації для різних країн можуть відрізнятися.



Съдържание

Въведение	82
Технически данни.....	84
Общи указания за безопасност при работа с електроинструменти.....	85
Допълнителни правила за безопасност при работа с акумулаторни бормащини/винтоверти.....	86
Запознаване с електроинструмента	87
Указания за работа	87
Поддръжка.....	90
Рециклиране.....	90
Гаранция.....	91

РАЗОПАКОВАНЕ

В съответствие с общоприетите технологии на производство е малко вероятно новопридобитият от Вас електроинструмент да е неизправен или някоя от частите му да липсва. Ако забележите, че нещо не е наред, не работете с електроинструмента докато повредената част не се смени или дефектът не бъде отстранен. Неизпълнението на тази препоръка може да доведе до сериозна трудова злополука.

СГЛОБЯВАНЕ

Акумулаторните бормащини BR2 18Li-C HD, BUR2 18Li-C HD се доставят опаковани и напълно сглобени.

Въведение

Инструментите SPARKY са изработени в съответствие с високите SPARKY стандарти за качество. Употребата им е лесна и безопасна. При правилна употреба инструментът ще ви служи дълго време.

ПРЕДУПРЕЖДЕНИЕ!



Внимателно прочетете цялата инструкция за експлоатация преди да използвате новопридобития си електроинструмент SPARKY. Обърнете специално внимание на текстовете, които започват с думата “Предупреждение”. Вашият електроинструмент SPARKY притежава много качества, които ще улеснят Вашата работа. При разработката на този електроинструмент най-голямо внимание е обърнато на безопасността, експлоатационните качества и надеждността, които го правят лесен за поддръжка и експлоатация.



Не изхвърляйте електроинструменти заедно с битовите отпадъци!

Отпадъците от електрически изделия не трябва да се събират заедно с битовите отпадъци. Моля, рециклирайте на местата, предназначени за това. Свържете се с местните власти или представителят за консултация относно рециклирането.

ОПАЗВАНЕ НА ОКОЛНАТА СРЕДА



С оглед опазване на околната среда електроинструментът, принадлежностите и опаковката трябва да бъдат подложени на подходяща преработка за повторно използване на съдържащите се в тях суровини.

За облекчаване на рециклирането детайлите, произведени от изкуствени материали, са обозначени по съответния начин.



ОПИСАНИЕ НА СИМВОЛИТЕ

Върху табелката с данни на електроинструмента са означени специални символи. Те предоставят важна информация за изделието или инструкции за неговото ползване.



Съответства на приложимите европейски директиви



Запознайте се с инструкцията за използване



Съответства на изискванията на регламентите на Митническия съюз

YYYY-Www

Период на производство, където променливи символи са:
YYYY - година на производство,
ww - поредна календарна седмица



Съответства на изискванията на украинските нормативни документи

BR, BUR

АКУМУЛАТОРНА БОРМАШИНА /
ВИНТОВЕРТ

Върху батерията са означени специални символи. Те предоставят важна информация за изделието или инструкции за нейното използване.



Рециклиране на Li-Ion клетки



Не мокри, пази от дъжд и вода



Не загревай, пази от пряко излагане на слънце и огън!



Допустим температурен диапазон на зареждане 0-45°C

Технически данни

Модел		BR2 18Li-C HD	BUR2 18Li-C HD*
▪ Номинално напрежение	V	18	18
▪ Скорост на празен ход (I скорост/II скорост)	min ⁻¹	0-350/0-1350	0-350/0-1350
▪ Честота на ударите на празен ход (I скорост/II скорост)	min ⁻¹	–	5250/20250
▪ Макс. въртящ момент	Nm	40	40
▪ Регулиране на въртящия момент (брой положения на регулатора)		20+1	20+1
▪ Обхват на патронника	mm	1,5–13	1,5–13
▪ Макс. диаметър на свредлото за стомана / дърво / зидария	mm	13/20/–	13/20/13
▪ Максимален диаметър на винт за дърво	mm	8	8
▪ Електронно регулиране на оборотите, ляв - десен ход		да	да
▪ Електрическа спирачка		да	да
▪ Самозаклучващо се вретено		да	да
▪ Светодиодно осветление на работната зона		да	да
▪ Светодиодна индикация за зареждане		да	да
▪ Двускоростна предавка		да	да
▪ Тегло с батерия 2Ah / 4Ah (ЕПТА процедура 01/2014)	kg	1,3 / 1,6	1,4 / 1,6

ИНФОРМАЦИЯ ЗА ШУМ И ВИБРАЦИИ (Стойностите са измерени съгласно EN 60745.)

▪ Излъчване на шум:			
A-претеглено ниво на звуково налягане L _{pA}	dB(A)	72	76
Неопределеност K _{pA}	dB	3	3
A-претеглено ниво на звукова мощност L _{WA}	dB(A)	83	87
Неопределеност K _{WA}	dB	3	3



Използвайте средства за защита от шума!

▪ Излъчване на вибрации (Вибрациите са определени съгласно т. 6.2.7 на EN 60745.)			
Обща стойност на вибрациите (векторна сума по трите оси), определена съгласно EN 60745:			
Стойност на излъчените вибрации при ударно действие a _{h,D}	m/s ²	–	9,4
Неопределеност K _{h,D}	m/s ²	–	1,5
Стойност на излъчените вибрации a _{n,D}	m/s ²	< 2,5	< 2,5
Неопределеност K _{n,D}	m/s ²	1,5	1,5

* Моделите са с ударно действие

Посоченото в тази инструкция ниво на вибрации е измерено в съответствие с методиката за изпитване, указана в EN 60745 и може да се използва за сравняване на електроинструменти. Нивото на вибрации може да се използва за предварителна оценка на степента на въздействие.

Декларираното ниво на вибрации се отнася за основното предназначение на електроинструмента. В случаите, при които електроинструментът се използва за друго предназначение, с други принадлежности или ако електроинструментът не се поддържа добре, нивото на вибрации може се различава от посоченото. В тези случаи нивото на въздействие може значително да нарасне в границите на общия период на работа.

При оценката на нивото на въздействие на вибрации трябва също да се отчита времето, през което електроинструментът е изключен или е включен, но не се използва. Това може значително да понижи нивото на въздействие в границите на общия период на работа.

Поддържайте електроинструмента и принадлежностите в добро състояние. Пазете ръцете си топли по време на работа - това ще намали вредното въздействие при работа с повишени вибрации.

Прахът, отделян при обработването на материали като оловосъдържащи бои, някои видове дървесина, минерали и метали, може да бъде опасен за здравето. Допирът или вдишването на праха може да предизвика алергични реакции и/или заболявания на дихателните пътища на оператора или на намиращи се в близост лица.



Някои видове прах, например от дъб или бук, се считат за канцерогенни, особено в комбинация с добавки за обработка на дървесина (хромат, консерванти). Материал, който съдържа азбест, трябва да се обработва само от специалисти.

- Когато това е възможно, използвайте прахоотвеждане.
 - За да се постигне висока степен на прахоулавяне, при работа с този електроинструмент използвайте прахосмукачка, предназначена за събиране на прах от дървесина или за прах от дървесина и/или минерален прах.
 - Осигурете добра вентилация на работното място.
 - Препоръчва се използването на защитна маска за прах с филтър клас P2.
- Спазвайте действащите във вашата страна разпоредби за обработване на съответните материали.

Общи указания за безопасност при работа с електроинструменти



ПРЕДУПРЕЖДЕНИЕ! Четете всички предупреждения и указания за безопасност. Неспазването на предупрежденията и указанията за безопасност може да предизвика поражение от електрически ток, пожар и/или сериозно нараняване.

Запазете всички предупреждения и указания за бъдещо ползване.

Терминът "електроинструмент" във всички описани по-долу предупреждения се отнася до вашия електроинструмент, захранван от мрежата (с шнур) и/или електроинструмент, захранван от акумулаторна батерия (без шнур).

1. БЕЗОПАСНОСТ НА РАБОТНОТО МЯСТО

- a) Поддържайте работното място чисто и добре осветено. Безпорядъкът и недостатъчното осветление са предпоставка за трудови злополуки.
- b) Не работете с електроинструменти в експлозивни атмосфери при наличие на запалими течности, газове или прах. Електроинструментите образуват искри, които могат да възпламят праха или парите.
- c) Дръжте децата и страничните лица на разстояние, когато работите с електроинструмент. Разсейването може да доведе до зауба на контрол от Ваша страна.

2. ЕЛЕКТРИЧЕСКА БЕЗОПАСНОСТ

- a) Щепселите на електроинструментите трябва да съответстват на контактите. Никога не променяйте щепсела по какъвто и да било начин. Не използвайте каквито и да са адаптерни щепсели за електроинструменти със защитно заземяване. Употребата на непроменени щепсели и съответстващите им контакти намалява риска за поражение от електрически ток.
- b) Избягвайте допир на тялото до земя или до заземени повърхности, такива като тръби, радиатори, кухненски печки и хладилници. Ако

тялото ви е заземено, съществува повишен риск от поражение от електрически ток.

- c) Не излагайте електроинструментите на дъжд или във влажна среда. Проникването на вода в електроинструмента повишава риска от поражение от електрически ток.
- d) Използвайте шнура по предназначение. Никога не използвайте шнура за носене на електроинструмента, опъване или изваждане на щепсела от контактното гнездо. Дръжте шнура далече от топлина, масло, остри ръбове или движещи се части. Уредени или оплетени шнурове повишават риска за поражение от електрически ток.
- e) При работа с електроинструмента на открито, използвайте удължител, подходящ за работа на открито. Използването на удължител, подходящ за работа на открито, намалява риска от поражение от електрически ток.
- f) Ако работата с електроинструмента във влажна среда е неизбежна, използвайте предпазно устройство, задействано от остатъчен ток, за прекъсване на захранването. Използването на предпазно устройство намалява риска от поражение от електрически ток.

3. ЛИЧНА БЕЗОПАСНОСТ

- a) Бъдете бдителни, работете с повишено внимание и проявявайте благоразумие, когато работите с електроинструмент. Не използвайте електроинструмента, когато сте уморени или под влияние на наркотици, алкохол или медикаменти. Момент на невнимание при работа с електроинструмент може да предизвика сериозна трудова злополука.
- b) Използвайте лични предпазни средства. Носете винаги средства за защита на очите. Лични предпазни средства, като маска против прах, неплъзгащи се безопасни обувки, защитен шлем или средства за защита на слуха, използвани при конкретните условия, намаляват риска от трудови злополуки.
- c) Избягвайте неволно пускане. Убедете се, че прекъсвачът е в изключено положение преди включване към източник на захранване и/или акумулаторна батерия, преди да го вземете или пренасяте. Носенето на електроинструмент с пръст върху прекъсвача или свързването към източник на захранване на електроинструмент с прекъсвач във включено положение е предпоставка за трудова злополука.





- d) Отстранете всеки ключ за затягане или гаечен ключ преди включване на електроинструмента. *Ключ за затягане или гаечен ключ, прикрепен към въртяща се част на електроинструмента, може да предизвика трудова злополука.*
- e) Не се пресягайте. Поддържайте правилен стоещ и равновесие през цялото време. *Това позволява по-добро управление на електроинструмента при неочаквани ситуации.*
- f) Носете подходящо работно облекло. Не носете широки дрехи или бижута. Дръжте косите си, дрехите и ръкавиците далеч от движещи се части. *Широки дрехи, бижута или дълги коси могат да се захванат от движещи се части.*
- g) Ако електроинструментът е снабден с приспособления за засмукване и улавяне на прах, убедете се, че те са свързани и правилно използвани. *Използването на тези устройства може да намали свързаните с прах опасности.*

4. ИЗПОЛЗВАНЕ И ГРИЖИ ЗА ЕЛЕКТРОИНСТРУМЕНТИТЕ

- a) Не претоварвайте електроинструмента. Използвайте правилно избрания електроинструмент според приложението. *Правилно избраният електроинструмент работи по-добре и по-безопасно при обявения режим на работа, за който е проектиран.*
- b) Не използвайте електроинструмента, ако прекъсвачът не превключва във включено и изключено положение. *Всеки електроинструмент, който не може да бъде управляван с прекъсвач, е опасен и трябва да бъде ремонтиран.*
- c) Разединете щепсела от захранващата мрежа преди да извършите всякакви настройки, преди замяна на принадлежности или преди да приберете електроинструмента за съхранение. *Тези предпазни мерки за безопасност намаляват риска от неволно пускане на електроинструмента.*
- d) Съхранявайте неизползваните електроинструменти на места, недостъпни за деца и не позволявайте на обслужващи лица, които не познават електроинструмента или не са запознати с тези инструкции, да работят с него. *Електроинструментите са опасни в ръцете на необучени потребители.*
- e) Поддържайте електроинструментите. Проверявайте движещите се части дали функционират нормално и се движат свободно, целостта и изправността на частите, както и за всякакво друго обстоятелство, което може неблагоприятно да повлияе на работата на електроинструмента. Ако е повреден, електроинструментът трябва да бъде ремонтиран преди по-нататъшно използване. *Много злополуки са причинени от лошо поддържани електроинструменти.*
- f) Поддържайте режещите инструменти остри и чисти. *Правилно поддържаните режещи инструменти с остри режещи ръбове е по-малко веро-*

ятно да блокират и са по-лесни за управление.

- g) Използвайте електроинструмента, принадлежностите и частите на инструмента и т.н. в съответствие с тези инструкции и по начин, предвиден за конкретния тип електроинструмент, като вземате предвид работните условия и работата, която трябва да се извършва. *Използването на електроинструмента за работа, различна от тази, за която е проектиран, може да предизвика опасна ситуация.*

5. ИЗПОЛЗВАНЕ И НАБЛЮДЕНИЕ НА ЕЛЕКТРОИНСТРУМЕНТ, ЗАХРАНВАНЕ С АКУМУЛАТОРНА БАТЕРИЯ

- a) Да се презарежда само със зарядно устройство, определено от производителя. *Зарядно устройство, което е подходящо за един тип батериен блок, може да създаде риск, когато се използва с друг батериен блок.*
- b) Да се използват електроинструменти само със специално проектирани батерийни блокове. *Използването на каквито и да са други батерийни блокове може да създаде риск от нараняване и пожар.*
- c) Когато не се използва, батерийният блок да се държи далеч от други метални обекти, като кламери за хартия, монети, ключове, гвоздеи, винтове или други дребни метални предмети, които могат да свържат една клемма към друга. *Свързването накъсо на клемите на акумулаторната батерия може да предизвика горене или пожар.*
- d) При неблагоприятни условия от акумулаторната батерия може да изтича течност; да се избягва допир. Ако случайно се получи допир, да се промие с вода. Ако попадне течност в очите, да се потърси допълнително медицинска помощ. *Изтеклата от акумулаторната батерия течност може да предизвика възпаление или изгаряния.*

6. ОБСЛУЖВАНЕ

- a) Електроинструментът да се обслужва от лице с квалификация за ремонт, като се използва само еднакви заменящи части. *Това осигурява поддържане на безопасността на електроинструмента.*

Допълнителни правила за безопасност при работа с акумулаторни бормащини/винтоверти

- Трябва да осъзнаете, че този електроинструмент винаги е в работно състояние, защото не е необходимо да бъде включен в мрежата. Винаги поставяйте прекъсвача в положение ИЗКЛЮЧЕНО, когато поставяте или сваляте батерията.
- Използвайте средства за защита на слуха при



работа с ударни бормашини. Интензивният шум по време на работа може да предизвика слухови увреждания.

- **Винаги използвайте допълнителната ръкохватка, ако е доставена с машината. Загубата на контрол може да предизвика трудова злополука.**
- **Дръжте електроинструмента за изолираните повърхности при извършване на операция, когато режещият инструмент или крепежният елемент може да попадне на скрити проводници под напрежение. При допир на режещия инструмент до проводник под напрежение металните части на електроинструмента може да попаднат под напрежение, което да доведе до поражение от електрически ток на оператора.**
- Ако е възможно винаги използвайте скоби или менгеме, за да фиксирате обработвания материал.
- Не докосвайте свредлото непосредствено след работа с бормашината. То е много горещо.
- Когато работите с бормашина, използвайте защитна екипировка, включваща защитни очила и антифони. Носете маска против прах, ако при пробивната операция се произвежда прах.
- Прахът, отделян при обработването на материали, съдържащи кварц (силициев двуокис), е вреден за здравето. Да не се обработват материали, съдържащи азбест.
- Електроинструментът трябва да се използва само по предназначение. Всякаква друга употреба, различаваща се от описаната в тази инструкция, ще се счита за неправилна употреба. Отговорността за всякаква повреда или нараняване, произтичащи от неправилна употреба, ще се носи от потребителя, а не от производителя.
- За да експлоатирате правилно този електроинструмент, трябва да съблюдавате правилата за безопасност, общите инструкции и указанията за работа, посочени тук. Всички потребители трябва да са запознати с тази инструкция за експлоатация и информирани за потенциалните рискове при работата с електроинструмента. Деца и физически слаби хора не трябва да използват електроинструмента. Децата трябва да бъдат под непрекъснато наблюдение ако се намират в близост до място, където се работи с електроинструмента. Задължително е да предприемете и превантивни мерки за безопасност. Същото се отнася и за спазването на основните правила за професионалното здраве и безопасност.
- Производителят не носи отговорност за извършени от потребителя промени върху електроинструмента или за повреди, предизвикани от подобни промени.

Дори когато електроинструментът се използва по предназначение, е невъзможно да се елиминират всички остатъчни рискови фактори. Изброените по-долу опасности могат да възникнат във връзка с конструктивните особености и дизайна на електроинструмента.

- Проблеми с белите дробове, ако не се използва ефективна маска против прах.
- Проблеми със слуха, ако не се използват ефективни предпазни мерки.
- Електроинструментът е предназначен за работа в помещения и зони с нормална пожарна опасност съгласно "НАРЕДБА № 13-1971 за строително-технически правила и норми за осигуряване

на безопасност при пожар". Не се допуска използването му във взривоопасна и пожароопасна среда, при температура на околния въздух над 40°C, в особено влажна среда, при наличие на валежи и в химически активна среда. Работното място трябва да е добре осветено.

Запознаване с електроинструмента

Преди да започнете да работите с електроинструмента се запознайте с всички оперативни особености и условия за безопасност.

Използвайте електроинструмента и принадлежностите му само по предназначение. Всяко друго приложение е изрично забранено.

1. Бързостягащ патронник
2. Превключвател на скоростните обхвати
3. Превключвател за смяна посоката на въртене
4. Бутон за освобождаване на батерията
5. Батерия*
6. Прекъсвач
7. Светодиоден индикатор за батерията
8. Светодиодно осветление на работната зона
9. Регулатор на въртящия момент
10. Зарядно устройство*
11. Превключвател на работния режим

* Изобразените на фигуририте или описани в инструкцията аксесоари не са включени в стандартната комплектация.

Указания за работа

Електроинструментът е предназначен за завиване и развиване на винтове, както и за пробиване в дървесни и керамични материали и пластмаси.

Моделът BUR2 18Li-C HD освен това е подходящ и за ударно пробиване в тухли и зидария.

ПОСТАВЯНЕ И ИЗВАЖДАНЕ НА БАТЕРИЯ (ФИГ. 1)

За да извадите батерията: натиснете бутон за освобождаване на батерията (4) в указаната посока (A) и я издърпайте навън от корпуса на електроинструмента. (B)



ПРЕДУПРЕЖДЕНИЕ: Винаги поставяйте превключвателя за смяна посоката на въртене (3) в средно положение преди извършване на каквото и да е дейности по електроинструмента, напр. поставяне и зареждане на батерия, смяна на крайник, пренасяне, обслужване или съхраняване на електроинструмента.

За да поставите батерията: Поставете батерията в основата на електроинструмента и я плъзнете докато се чуе характерно прищракване. (C)

ИНДИКАТОР ЗА СЪСТОЯНИЕТО НА БАТЕРИЯТА (Фиг. 2)

Състоянието на батерията по време на работа се контролира със светодиоден индикатор (7). За да активирате индикатора, натиснете бутона на прекъсвача (6).

В зависимост от броя светещи светодиоди състоянието на батерията е както следва:

3	Капацитет на батерията: 60 - 100%
2	Капацитет на батерията: 30 - 60%
1	Капацитет на батерията: < 30%
1 мигаща светлина	Капацитет на батерията: < 20%. Необходимо е батерията да бъде заредена.
мигаща светлина	Проблем с батерията. Индикацията се активира при натиснат спусък на прекъсвача. Показва едно от следните състояния на батерията: <ul style="list-style-type: none">• Разредена батерия ► Необходимо е батерията да бъде заредена;• Задействана температурна защита ► Необходимо е батерията да се охлади преди да започнете работа отново;• Повредена батерия или неразпозната батерия ► Необходимо е батерията да бъде заменена.

Посоката на изгасване на светодиодите е означена върху корпуса на електроинструмента.

СВЕТОДИОДНО ОСВЕТЛЕНИЕ НА РАБОТНАТА ЗОНА

Електроинструментът е снабден със светодиодно осветление (8) за повишаване осветеността на работната зона при работа в слабо осветени места. Светодиодното осветление е включено докато прекъсвачът (6) е натиснат.

При прекомерно претоварване на електроинструмента електронното управление може да изключи машината за да я защити. Защитния режим се индикира с мигане на осветителния диод (8). След повторно включване електроинструментът може отново да бъде използван съобразно предназначението си.

ИЗБОР НА ПОСОКАТА НА ВЪРТЕНЕ (Фиг. 3)

Крайно дясно положение на превключвателя за смяна посоката на въртене (3) (гледано отзад) означава въртене обратно на посоката на часовниковата стрелка, а крайно ляво - по посока на часовниковата стрелка. При натиск върху прекъсвача (6) превключвателят (3) не може да бъде задействан. При превключвател (3) поставен в неутрално положение, прекъсвач (6) не може да бъде натиснат и машината не може да бъде задействана.



ПРЕДУПРЕЖДЕНИЕ: Смяната на посоката на въртене да се извършва само когато вретеното не се върти.

Пробиване на отвори и завиване на винтове се извършва с превключвател, поставен в крайно ляво положение. Развиване на винтове се извършва при превключвател в крайно дясно положение.

ПУСКАНЕ - СПИРАНЕ

Пускане: прекъсвач (6) се натиска.

Спиране: прекъсвач (6) се отпуска.

Електроинструментът е снабден с електрическа спирачка. Вретеното спира да се върти веднага щом отпуснете напълно лоста на прекъсвача.

БЕЗСТЕПЕННОЕЛЕКТРОНОРЕГУЛИРАНЕ НА ОБОРОТИТЕ

Леко натискане на прекъсвача (6) предизвиква действие на бормашината на ниски обороти, които плавно се увеличават до максимални с увеличаване на натиска върху прекъсвача до достигане на крайно положение.

РЕГУЛИРАНЕ НА ВЪРТЯЩИЯ МОМЕНТ (Фиг. 4)

Завъртете пръстена зад патронника, за да поставите регулатора (9) в едно от 20 положения и зададете въртящ момент.

Положенията на регулатора на въртящ момент (9) позволяват по-добър контрол над електроинструмента, когато се използва като отвертка, като по този начин се предотвратява прекомерно затягане на винтовете.

Големината на въртящия момент се обозначава с едно от числата, маркирани около пръстена. Колкото по-голямо е числото, маркирано върху пръстена, толкова по-голям е въртящият момент. За да изберете подходящ момент, завъртете пръстена докато съответното число не застане пред стрелката върху корпуса на бормашината.

Завиване/отвиване на винтове

Поставете регулатора на въртящия момент (9) в едно от тези 20 положения.



По-нисък въртящ момент е подходящ за завиване на винтове с малък диаметър и в материал с ниска твърдост.

По-висок въртящ момент е подходящ за завиване на винтове с голям диаметър и в материал с висока твърдост.

BUR2 18Li-C HD

Поставете превключвателя на работния режим (11) срещу символа „винт“

1
÷
20

	<p>Пробиване Поставете регулатора на въртящия момент (9) срещу този символ, за да изберете пробиване на отвори в метал, дърво и др. Електроинструментът е снабден със спиратка. Вретеното спира да се върти веднага щом отпуснете бутона на прекъсвача. При претоварване на електроинструмента в режим на пробиване веднага освободете прекъсвача, за да предотвратите прегреване на електродвигателя при продължителна работа.</p> <p>BUR2 18Li-C HD Поставете превключвателя на работния режим (11) срещу този символ</p>
	<p>Ударно пробиване (BUR2 18Li-C HD) Поставете превключвателя на работния режим (11) срещу този символ, за да изберете ударно пробиване на отвори в тухли, цимент, плочки и др.</p>

ПРЕВКЛЮЧВАТЕЛ НА СКОРОСТИ (Фиг. 5)

Двустепенният превключвател на скорости (2) позволява избор на най-подходяща предавка с оптимална скорост и въртящ момент за конкретното приложение.



ПРЕДУПРЕЖДЕНИЕ: Сменяйте предавките само при изключена бормашина.

1. За да изберете ниска предавка (ниска скорост, голям въртящ момент) плъзнете превключвателя на скоростните обхвати (2) назад. Маркираната върху превключвателя цифра **1** показва избраната скорост.
2. За да изберете висока предавка (висока скорост, малък въртящ момент) плъзнете превключвателя на скорости (2) напред. Маркираната върху превключвателя цифра **2** показва избраната скорост.

ПОСТАВЯНЕ И СВАЛЯНЕ НА НАКРАЙНИК (Фиг. 6)



ПРЕДУПРЕЖДЕНИЕ: Извадете батерията или поставете превключвателя за смяна посоката на въртене (3) в средно (неутрално) положение (A).

Бормашината е оборудвана със samozаклучващо се вретено, което означава че ако се опитате да завъртите патронника ръчно, вретеното автоматично ще блокира. За да свалите или регулирате дължината на найкрайника е необходимо само да стиснете здраво патронника и да завъртите корпуса му.

- Хванете машината с една от двете ръчки и завъртете патронника с другата.
- За да отворите патронника го завъртете в посока обратна на часовниковата стрелка. (B)
- За да затворите патронника го завъртете в посока на часовниковата стрелка. (D)

- Поставете найкрайника. (C)
- Затворете патронника.
- Изпълнете пробно пускане, за да проверите дали найкрайникът е правилно закрепен в центъра на патронника.

СМЯНА НА ПАТРОННИКА



ПРЕДУПРЕЖДЕНИЕ: Смяната на патронника трябва да се извършва само в оторизиран сервис. Моля не се опитвайте да смените патронника с подръчни инструменти, тъй като това може да увреди акумулаторната бормашина.

ПРОБИВАНЕ НА ОТВОРИ

Пробиване на отвори в метал

- За да постигнете добър резултат, използвайте свредла от бързорежеща стомана за метал или стомана.
- Поставете регулатора на въртящия момент (9) в положение за пробиване "свредло". **BUR2 18Li-C HD** - Поставете превключвателя на работния режим (11) срещу символа „свредло“
- Започнете пробиването на ниска скорост, за да не приплъзнете свредлото от началната точка.
- Винаги прикрупелвайте здраво листовите стомана.
- Фиксирайте тънките метални листове с дървени блокчета, за да не се местят.
- Използвайте остър предмет, за да маркирате центъра на отвора за пробиване.
- Използвайте смазочна течност, подходяща за обработвания материал.

Материал	Смазочна течност
Стомана	Смазочно масло
Алуминий	Терпентин или парафин
Месинг, мед, чугун	Не се използва смазочна течност

Пробиване на отвори в пластмаса и облицован с пластмаса талашит

- Използвайте свредла от бързорежеща стомана.
- Прочетете по-долу раздела „Пробиване на отвори в дърво“.

Пробиване в зидария (BUR2 18Li-C HD)

- За да постигнете оптимален резултат използвайте ударни свредла с карбиден връх за зидария, когато пробивате отвори в тухли, керемиди, бетон.
- Преминете към режим "ударно пробиване" като завъртите превключвателя на работния режим (11) в положение "ударно пробиване" (символ „чук“) и установите превключвателя на скоростните обхвати (2) в положение "2".
- При пробиване в тухли оказвайте лек натиск и използвайте умерена скорост за оптимален резултат.
- При твърди материали като бетон прилагайте допълнителен натиск и използвайте висока скорост.
- При пробиване на отвори в керемиди, първо изпробвайте върху непотребно парче керемиди,

за да определите най-подходящата скорост и натиск.

Пробиване на отвори в дърво

- За да постигнете добър резултат, използвайте свредла от бързорезеща стомана за пробиване в дърво.
- Поставете регулатора на въртящия момент (9) в положение за пробиване "свредло". **BUR2 18Li-C HD** - Поставете превключвателя на работния режим (11) срещу символа „свредло“
- Започнете пробиването на ниска скорост, за да не приплъзне свредлото от началната точка. Увеличете скоростта, когато свредлото навлезе в материала.
- Когато пробивате проходен отвор, подложете парче дърво под обработвания материал, за да предотвратите разкъсване или разцепване на задната част на отвора.

Всички пробивни операции

- Използвайте само остри свредла.
- Маркирайте предварително центъра на отвора, който ще пробивате с шило или гвоздей.

ЗАВИВАНЕ / ОТВИВАНЕ НА ВИНТОВЕ

Изберете подходящ въртящ момент, като поставите едно от числата, маркирани на регулатора на въртящия момент (9), срещу стрелката върху корпуса. Поставете необходимия накрайник.

BUR2 18Li-C HD - Поставете превключвателя на работния режим (11) срещу символа „винт“



ПРЕДУПРЕЖДЕНИЕ: Прекомерното затягане може да предизвика счупване на винта или повреждане на накрайника.



ПРЕДУПРЕЖДЕНИЕ: Ако машината се държи под ъгъл към затягания винт, може да се повреди главата на винта или въртящият момент няма да се предаде изцяло към винта. Винаги дръжте машината и затягания винт подравнени на една линия.

Поддръжка



ПРЕДУПРЕЖДЕНИЕ: Винаги поставяйте превключвателя за смяна посоката на въртене (3) в средно положение преди извършване на каквито и да е дейности по електроинструмента, напр. поставяне и зареждане на батерия, смяна на накрайник, пренасяне, обслужване или съхраняване на електроинструмента.

Проверявайте редовно дали винтовете на корпуса са здраво притегнати. При продължителна употреба винтовете може да се разхлабят от вибрациите.

ПОЧИСТВАНЕ

За безопасна работа поддържайте винаги чисти машината и вентилационните отвори.

Редовно проверявайте делта във вентилационната решетка близо до електродвигателя или около превключвателите не е проникнал прах или чужди тела. Използвайте мека четка за да отстраните събрания се прах. За да предпазите очите си, по време на почистването носете защитни очила.

Ако корпусът на машината се нуждае от почистване, избършете го с мека влажна кърпа. Може да се използва слаб препарат за миене.



ПРЕДУПРЕЖДЕНИЕ: Не се допуска употребата на спирт, бензин или други разтворители. Никога не използвайте разяждащи препарати за почистване на пластмасовите части.



ПРЕДУПРЕЖДЕНИЕ: Не се допуска вливането на вода в контакт с машината.

Инструкции за почистване на зарядното устройство



ПРЕДУПРЕЖДЕНИЕ: Преди почистване изключете зарядното устройство от захранващата мрежа.

- Замърсените и омаслени външни части на зарядното устройство да се почистват с кърпа или мека неметална четка. Не използвайте за тази цел вода и почистващи разтвори.

ВАЖНО! За да се осигури безопасната работа с електроинструмента и неговата надеждност, всички дейности по ремонта, поддръжката и регулирането трябва да се извършват в оторизираните сервиси на SPARKY с използване само на оригинални резервни части.



Рециклиране

С оглед опазване на околната среда електроинструментът, допълнителните приспособления и опаковката трябва да бъдат подложени на подходяща преработка за повторното използване на съдържащите се в тях суровини.

Батериите, зарядните устройства, принадлежностите и опаковките им трябва да бъдат предавани за оползотворяване на съдържащите се в тях суровини.

Само за страни от ЕС:

Не извърляйте електроинструменти при битовите отпадъци! Съгласно Директивата на ЕС 2012/19/EU относно бракувани електрически и електронни устройства и утвърждаването ѝ като национален закон електроинструментите, които не

могат да се използват повече, трябва да се събират отделно и да бъдат подлагани на подходяща преработка за оползотворяване на съдържащите се в тях вторични суровини.

Акумулаторни или обикновени батерии:



Не изхвърляйте батерии при битовите отпадъци или във водохранилища, не ги изгаряйте. Обикновени или акумулаторни батерии трябва да бъдат събирани, рециклирани или унищожавани по екологичен начин.

Само за страни от ЕС:

Съгласно Директива 2006/66/ЕС дефектни или изхабени акумулаторни или обикновени батерии трябва да бъдат рециклирани.

Гаранция

Гаранционният срок на електроинструментите SPARKY се определя в гаранционна карта.

Неизправности, появили се в следствие на естествено износване, претоварване или неправилна експлоатация, се изключват от гаранционните задължения.

Неизправности, появили се в следствие на влагане на некачествени материали и/или производствени грешки, се отстраняват без допълнително заплащане чрез замяна или ремонт.

Рекламация на дефектирал електроинструмент SPARKY се признава, когато машината се върне на доставчика или се представи на оторизиран гаранционен сервиз в неразглобено (първоначално) състояние.

Забележки

Внимателно прочетете цялата инструкция за използване преди да използвате това изделие.

Производителят си запазва правото да въвежда подобрения и промени в своите изделия и да променя спецификациите без предупреждение.

Спецификациите могат да се различават за отделните страни.



1710R02

